



- () Preliminary Specifications
- (V) Final Specifications

| | |
|-------------------|-------------------------|
| Module | 12.1 Inch Color TFT-LCD |
| Model Name | G121XN01 V0 |

| | |
|---|-------------|
| Customer | Date |
| _____ | _____ |
| Checked & Approved by | |
| _____ | _____ |
| Note: This Specification is subject to change without notice. | |

| | |
|---|-------------|
| Approved by | Date |
| Grace Hung | 2014/01/24 |
| Prepared by | |
| Yilan Hsu | 2014/01/24 |
| General Display Business Division / AU Optronics corporation | |

Contents

| | |
|--|-----------|
| 1. Operating Precautions | 4 |
| 2. General Description | 5 |
| 2.1 Display Characteristics | 5 |
| 2.2 Optical Characteristics | 6 |
| 3. Functional Block Diagram | 9 |
| 4. Absolute Maximum Ratings..... | 10 |
| 4.1 Absolute Ratings of TFT LCD Module..... | 10 |
| 4.2 Absolute Ratings of Environment..... | 10 |
| 5. Electrical Characteristics..... | 11 |
| 5.1 TFT LCD Module | 11 |
| 5.2 Backlight Unit..... | 13 |
| 6. Signal Characteristics..... | 14 |
| 6.1 Pixel Format Image..... | 14 |
| 6.2 Scanning Direction..... | 14 |
| 6.3 TFT-LCD Interface Signal Description | 15 |
| 6.4 The Input Data Format..... | 16 |
| 6.5 TFT-LCD Interface Timing..... | 17 |
| 6.6 Power ON/OFF Sequence | 18 |
| 7. Connector & Pin Assignment | 19 |
| 7.1 TFT-LCD Signal (CN1): LCD Connector | 19 |
| 7.2 LED Backlight Unit (CN2): Backlight Connector | 19 |
| 8. Reliability Test Criteria..... | 20 |
| 9. Mechanical Characteristics | 21 |
| 9.1 LCM Outline Dimension (Front View)..... | 21 |
| 9.2 LCM Outline Dimension (Rear View)(Pin 1 position) | 21 |
| 10. Label and Packaging | 23 |
| 10.1 Shipping Label (on the rear side of TFT-LCD display)..... | 23 |
| 10.2 Carton Package | 23 |
| 11 Safety..... | 24 |
| 11.1 Sharp Edge Requirements..... | 24 |
| 11.2 Materials..... | 24 |
| 11.3 Capacitors | 24 |
| 11.4 National Test Lab Requirement..... | 24 |



Record of Revision

| Version and Date | Page | Old description | New Description |
|------------------|-------|--|--|
| 0.0 2009/09/14 | All | First Edition | |
| 0.1 2009/12/11 | 21 | LCM outline dimension (Front view) | Update mounting help position |
| | 22 | LCM outline dimension (Rear view) | Update pin assignment |
| 0.2 2010/01/08 | 16 | The input data format | Update SEL68 input data format |
| 1.0 2010/04/26 | 5 | Typical power consumption: TBD | Typical power consumption: 9.15W |
| | 5 | Temperature Range Operating : -30 to +80 °C Storage (Non-Operating): -30 to +80 °C | Temperature Range Operating : -30 to +85 °C Storage (Non-Operating): -30 to +85 °C |
| | 6 | White Luminance condition: I _F = 120mA | White Luminance condition: I _F = 110mA |
| | 6 | Color / Chromaticity Coordinates : TBD | Add Min., Typ., Max. |
| | 10 | Absolute Ratings of Environment Temperature : Max 80 °C | Absolute Ratings of Environment Temperature : Max 85 °C |
| | 11 | LCD Input Current: TBD LCD Power consumption: TBD | Add Typ., Max. |
| | 11 | LCD Inrush Current: TBD Allowable Logic/LCD Drive Ripple Voltage: TBD | Add Max. |
| | 12 | Differential Input Common Mode Voltage: TBD | Add Typ. |
| | 13 | Parameter guideline for LCD: TBD | Add Typ., Max. |
| | 15 | TFT-LCD Interface Signal Description | Add Note 4, Note 5 |
| | 16 | CLK Data Clock frequency 40MHz | CLK Data Clock frequency 65 MHz |
| | 23 | Label and Packaging | Add Shipping Label, Carton Package |
| 1.1 2010/06/18 | 10 | | Add wet bulb chart |
| 1.2 2010/07/06 | 14 | | Update pixel format image |
| 1.3 2010/10/15 | 13 | | Remove Irush LED |
| 1.4 2012/08/20 | 19 | Backlight ON/OFF voltage 5V-ON | Backlight ON/OFF voltage 5V/3.3V-ON |
| 1.5 2013/01/14 | 21,22 | | Update the drawing |
| 1.6 2014/01/24 | 13 | LED Power Consumption | Update value |

1. Operating Precautions

- 1) Since front polarizer is easily damaged, please be cautious and not to scratch it.
- 2) Be sure to turn off power supply when inserting or disconnecting from input connector.
- 3) Wipe off water drop immediately. Long contact with water may cause discoloration or spots.
- 4) When the panel surface is soiled, wipe it with absorbent cotton or soft cloth.
- 5) Since the panel is made of glass, it may be broken or cracked if dropped or bumped on hard surface.
- 6) To avoid ESD (Electro Static Discharge) damage, be sure to ground yourself before handling TFT-LCD Module.
- 7) Do not open nor modify the module assembly.
- 8) Do not press the reflector sheet at the back of the module to any direction.
- 9) In case if a module has to be put back into the packing container slot after it was taken out from the container, do not press the center of the LED light bar edge. Instead, press at the far ends of the LED light bar edge softly. Otherwise the TFT Module may be damaged.
- 10) At the insertion or removal of the Signal Interface Connector, be sure not to rotate nor tilt the Interface Connector of the TFT Module.
- 11) TFT-LCD Module is not allowed to be twisted & bent even force is added on module in a very short time. Please design your display product well to avoid external force applying to module by end-user directly.
- 12) Small amount of materials without flammability grade are used in the TFT-LCD module. The TFT-LCD module should be supplied by power complied with requirements of Limited Power Source (IEC60950 or UL1950), or be applied exemption.
- 13) Severe temperature condition may result in different luminance, response time and lamp ignition voltage.
- 14) Continuous operating TFT-LCD display under low temperature environment may accelerate lamp exhaustion and reduce luminance dramatically.
- 15) The data on this specification sheet is applicable when LCD module is placed in landscape position.
- 16) Continuous displaying fixed pattern may induce image sticking. It's recommended to use screen saver or shuffle content periodically if fixed pattern is displayed on the screen.

2. General Description

This specification applies to the Color Active Matrix Liquid Crystal Display G121XN01 V0 composed of a TFT-LCD display, a driver and power supply circuit, and a LED backlight system.

The screen format is intended to support XGA (1024(H) x 768(V)) screen and 16.2M (RGB 8-bits) or 262k colors (RGB 6-bits).

LED driving board for backlight unit is included in G121XN01 V0 and the LED unit is replaceable.

All input signals are LVDS interface and compatible with G121SN01 V3 and G121SN01 V4.

G121XN01 V0 designed with wide viewing angle; wide temperature and long life LED backlight is well suited for industrial applications.

G121XN01 V0 is a RoHS product.

2.1 Display Characteristics

The following items are characteristics summary on the table under 25 condition:

| Items | Unit | Specifications |
|---|--------------|-------------------------------------|
| Screen Diagonal | [inch] | 12.1 |
| Active Area | [mm] | 245.76 (H) x 184.32 (V) |
| Pixels H x V | | 1024 x 768 |
| Pixel Pitch | [mm] | 0.24 x 0.24 |
| Pixel Arrangement | | R.G.B.W Rectangle |
| Display Mode | | TN, Normally White |
| Nominal Input Voltage VDD | [Volt] | 3.3 (typ.) |
| Typical Power Consumption | [Watt] | 9.15(typ.) All black pattern |
| Weight | [Grams] | 495 (Max.) |
| Physical Size | [mm] | 279.0(H) x 209.0(V) x 9.0(D) (Max.) |
| Electrical Interface | | 1 channel LVDS |
| Surface Treatment | | Anti-glare, Hardness 3H |
| Support Color | | 16.2M / 262K colors |
| Temperature Range Operating Storage (Non-Operating) | [°C] [°C] | -30 to +85 -30 to +85 |
| RoHS Compliance | | RoHS Compliance |

2.2 Optical Characteristics

The optical characteristics are measured under stable conditions at 25 (Room Temperature):

| Item | Unit | Conditions | Min. | Typ. | Max. | Remark |
|---|----------------------|--|----------|----------|--------|-----------|
| White Luminance | [cd/m ²] | I _F = 110mA/1 LED Line (center point) | 375 | 500 | - | Note 1 |
| Uniformity | % | 5 Points | 75 | - | - | Note 2, 3 |
| Contrast Ratio | | | 500 | 700 | - | Note 4 |
| Response Time | [msec] | Rising | - | 25 | 35 | Note 5 |
| | [msec] | Falling | - | 10 | 20 | |
| | [msec] | Raising + Falling | - | 35 | 55 | |
| Viewing Angle | [degree] [degree] | Horizontal (Right) CR = 10 (Left) | 70 70 | 80 80 | - - | Note 6 |
| | [degree] [degree] | Vertical (Upper) CR = 10 (Lower) | 70 70 | 80 80 | - - | |
| Color / Chromaticity Coordinates (CIE 1931) | | Red x | 0.592 | 0.642 | 0.692 | |
| | | Red y | 0.292 | 0.342 | 0.392 | |
| | | Green x | 0.276 | 0.326 | 0.376 | |
| | | Green y | 0.565 | 0.615 | 0.665 | |
| | | Blue x | 0.098 | 0.148 | 0.198 | |
| | | Blue y | 0.006 | 0.056 | 0.106 | |
| | | White x | 0.260 | 0.310 | 0.360 | |
| | | White y | 0.280 | 0.330 | 0.380 | |
| Color Gamut | % | | - | 70 | - | |

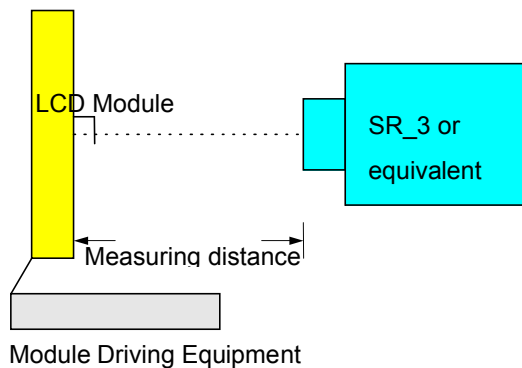
Note 1: Measurement method

Equipment Pattern Generator, Power Supply, Digital Voltmeter, Luminance meter (SR_3 or equivalent)

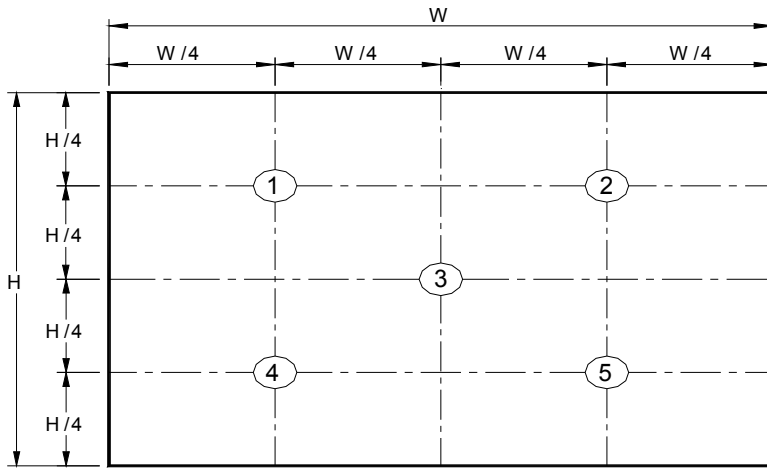
Aperture 1° with 50cm viewing distance

Test Point Center

Environment < 1 lux



Note 2: Definition of 5 points position (Display active area: 245.76mm (H) x 184.32mm (V))



Note 3: The luminance uniformity of 5 points is defined by dividing the minimum luminance values by the maximum test point luminance

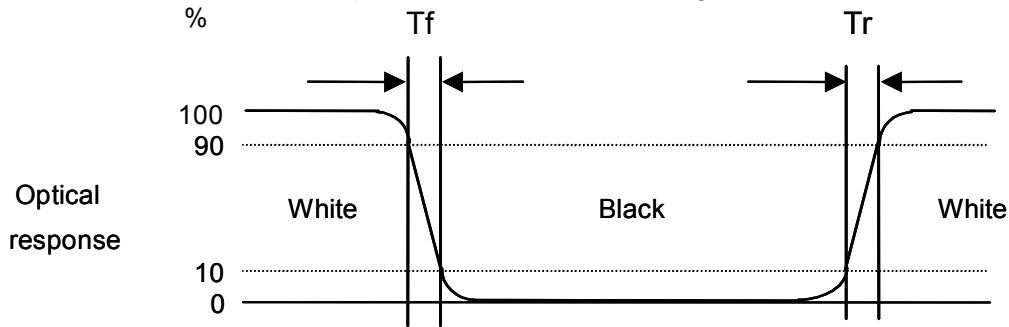
$$w_9 = \frac{\text{Minimum Brightness of five points}}{\text{Maximum Brightness of five points}}$$

Note 4: Definition of contrast ratio (CR):

$$\text{Contrast ratio (CR)} = \frac{\text{Brightness on the "White" state}}{\text{Brightness on the "Black" state}}$$

Note 5: Definition of response time:

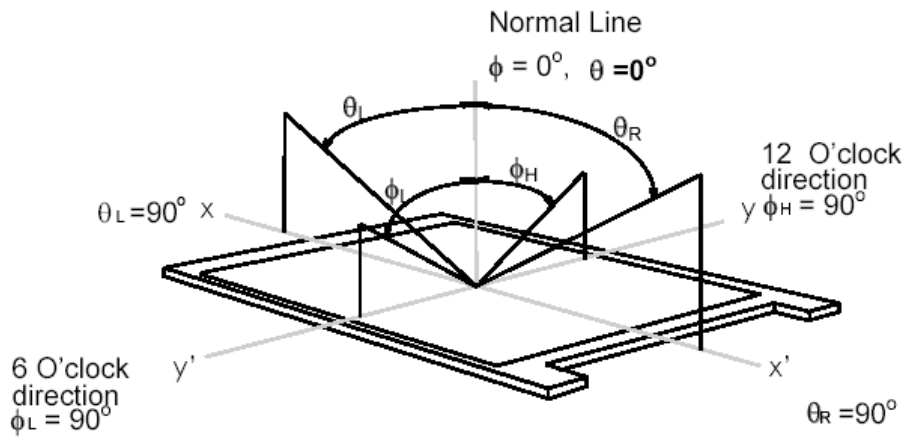
The output signals of photo detector are measured when the input signals are changed from "White" to "Black" (falling time) and from "Black" to "White" (rising time), respectively. The response time interval is between 10% and 90% of amplitudes. Please refer to the figure as below.



Note 6: Definition of viewing angle

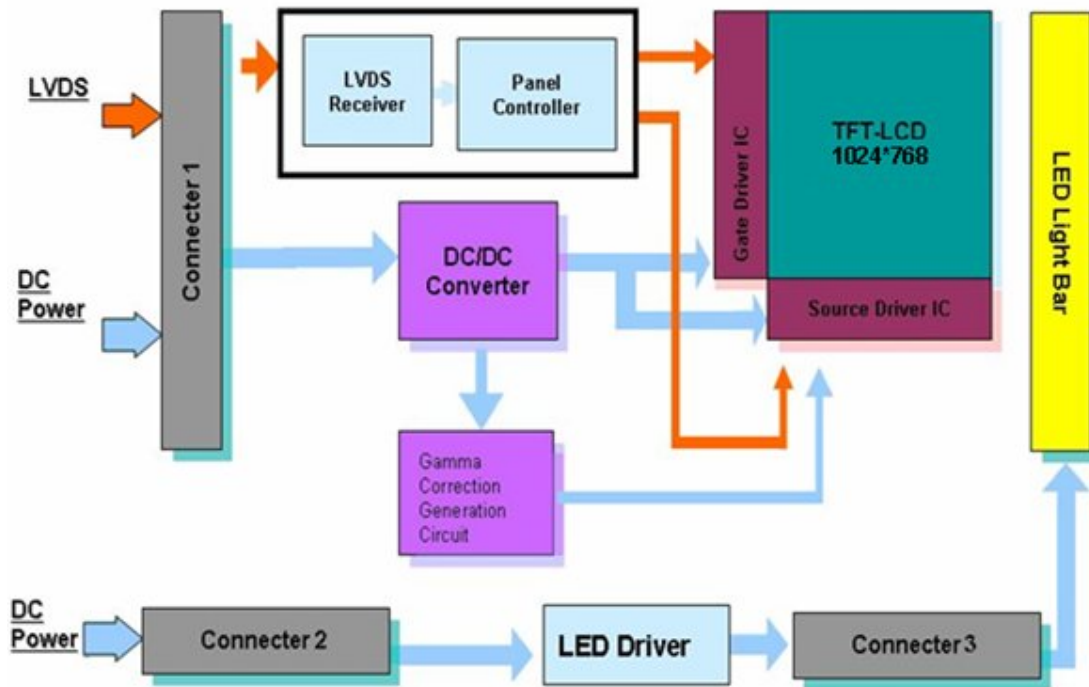
Viewing angle is the measurement of contrast ratio 10, at the screen center, over a 180° horizontal and 180° vertical range (off-normal viewing angles). The 180° viewing angle range is broken down as below: 90° (θ) horizontal left and right, and 90° (Φ) vertical high (up) and low (down). The measurement direction is typically perpendicular to the display surface with the screen rotated to its center to develop the desired

measurement viewing angle.



3. Functional Block Diagram

The following diagram shows the functional block of the 12.1 inch color TFT/LCD module:



4. Absolute Maximum Ratings

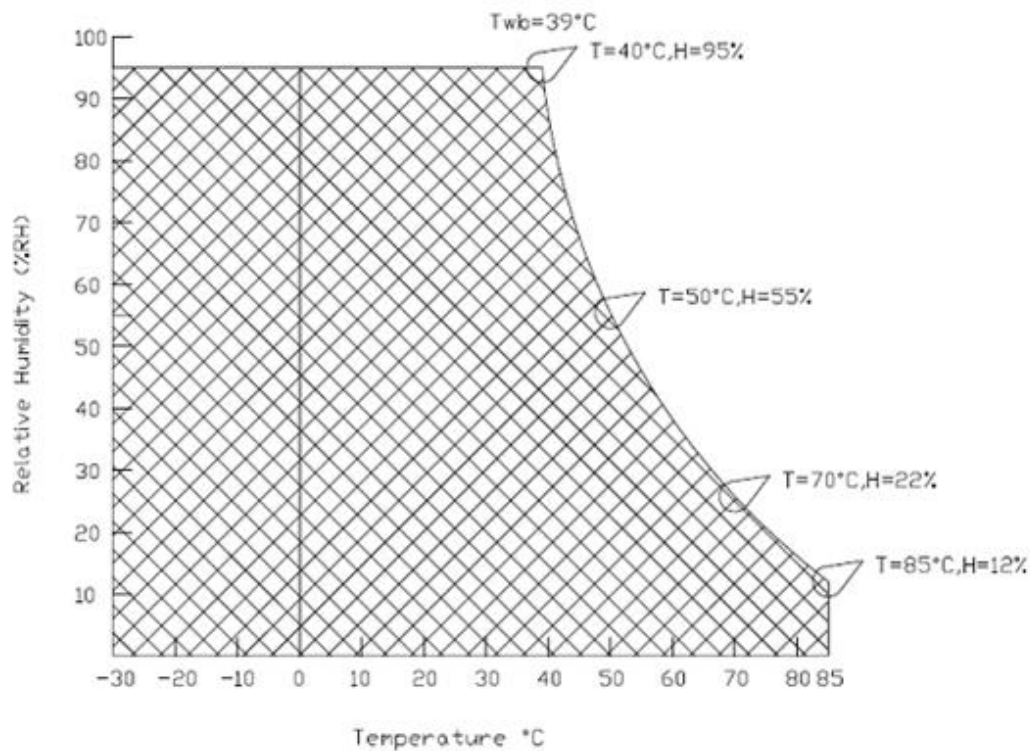
4.1 Absolute Ratings of TFT LCD Module

| Item | Symbol | Min | Max | Unit |
|-------------------------|--------|------|------|--------|
| Logic/LCD Drive Voltage | Vin | -0.3 | +3.6 | [Volt] |

4.2 Absolute Ratings of Environment

| Item | Symbol | Min | Max | Unit |
|-----------------------|--------|-----|-----|-------|
| Operating Temperature | TOP | -30 | +85 | [°C] |
| Operation Humidity | HOP | 5 | 90 | [%RH] |
| Storage Temperature | TST | -30 | +85 | [°C] |
| Storage Humidity | HST | 5 | 90 | [%RH] |

Note: Maximum Wet-Bulb should be 39 and no condensation.



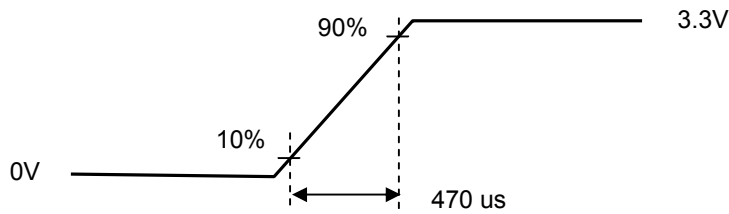
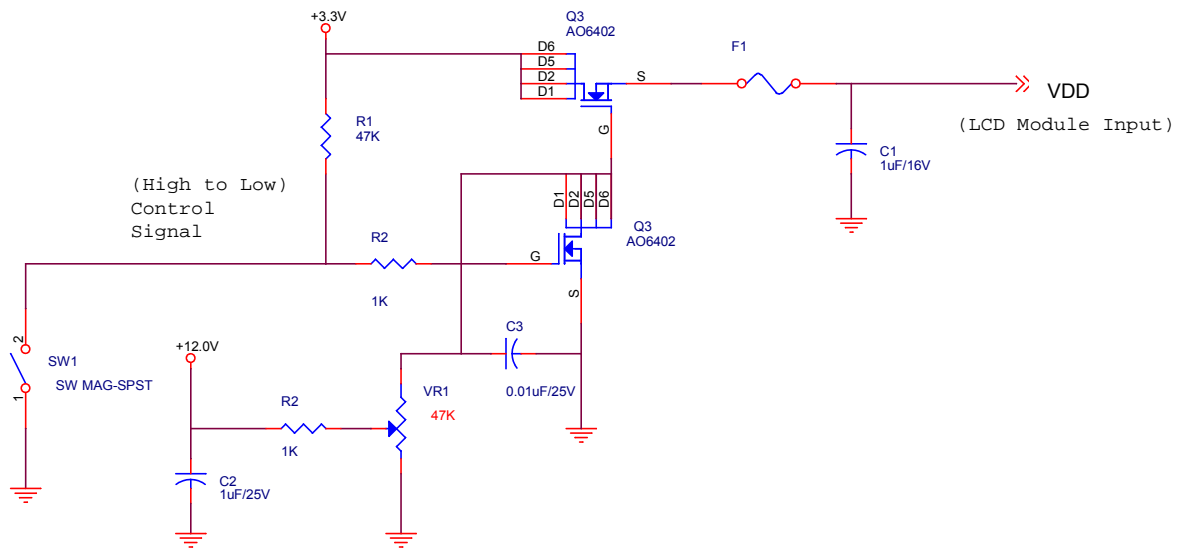
5. Electrical Characteristics

5.1 TFT LCD Module

5.1.1 Power Specification

| Symbol | Parameter | Min | Typ | Max | Units | Remark |
|-----------------------|--|-----|------|------|-------------|--|
| VDD | Logic/LCD Input Voltage | 3.0 | 3.3 | 3.6 | [Volt] | |
| I _{VDD} | LCD Input Current | - | 590 | 710 | [mA] | VDD=3.3V at 60 HZ, all Black Pattern |
| P _{VDD} | LCD Power consumption | - | 1.95 | 2.34 | [Watt] | VDD=3.3V at 60 HZ, all Black Pattern |
| I _{rush LCD} | LCD Inrush Current | - | - | 3 | [A] | Note 1; VDD=3.3V Black Pattern, Rising time=470us |
| VDD _{TP} | Allowable Logic/LCD Drive Ripple Voltage | - | - | 100 | [mV] p-p | VDD=3.3V at 60 HZ, all Black Pattern |

Note 1: Measurement condition:



VDD rising time

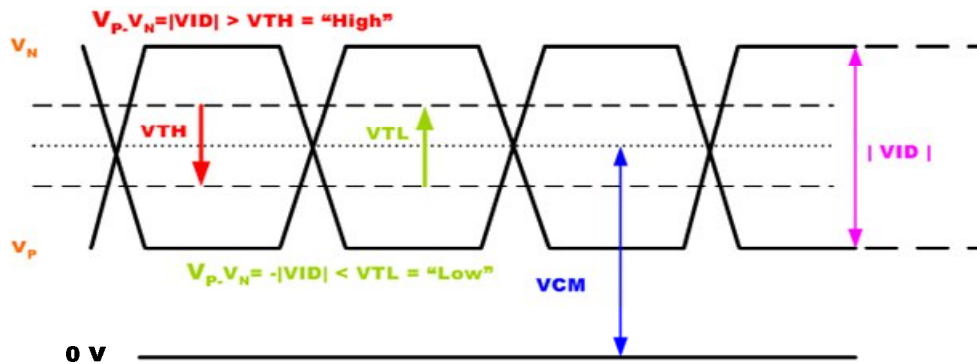
5.1.2 Signal Electrical Characteristics

Input signals shall be low or Hi-Z state when VDD is off.

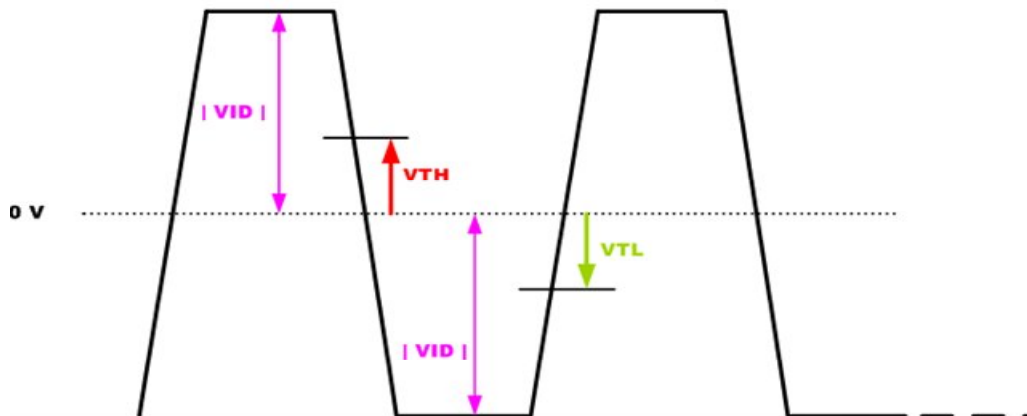
| Symbol | Item | Min. | Typ. | Max. | Unit | Remark |
|--------|--|------|------|------|------|-----------------|
| VTH | Differential Input High Threshold | - | - | 100 | [mV] | VCM=1.2V |
| VTL | Differential Input Low Threshold | 100 | - | - | [mV] | VCM=1.2V |
| VID | Input Differential Voltage | 100 | 400 | 600 | [mV] | |
| VICM | Differential Input Common Mode Voltage | 1.15 | 1.2 | 1.45 | [V] | VTH/VTL=+-100mV |

Note: LVDS Signal Waveform.

Single-end Signal



Differential Signal



5.2 Backlight Unit

5.2.1 Parameter guideline for LCD

Following characteristics are measured under a stable condition using a inverter at 25 . (Room Temperature):

| Symbol | Parameter | Min. | Typ. | Max. | Unit | Remark |
|-----------------------|-----------------------|--------|---------|------|--------|------------------------------------|
| VCC | Input Voltage | 10.8 | 12 | 12.6 | [Volt] | |
| I _{VCC} | Input Current | - | 0.6 | - | [A] | 100% PWM Duty Ta= 25°C |
| P _{VCC} | Power Consumption | - | 7.2 | 10 | [Watt] | 100% PWM Duty Ta= 25°C |
| F _{PWM} | Dimming Frequency | 200 | - | 20K | [Hz] | |
| | Swing Voltage | 3 | 3.3 | 5.5 | [Volt] | |
| | Dimming duty cycle | 5 | - | 100 | % | |
| I _F | LED Forward Current | - | 110 | - | [mA] | Ta = 25°C |
| V _F | LED Forward Voltage | - | (30.33) | 36 | [Volt] | I _F = 110mA, Ta = -30°C |
| | | - | (27.81) | | [Volt] | I _F = 110mA, Ta = 25°C |
| | | - | (26.1) | | [Volt] | I _F = 110mA, Ta = 85°C |
| P _{LED} | LED Power Consumption | - | (6.12) | 7.92 | [Watt] | I _F = 110mA, Ta = 25°C |
| Operation Life | | 50,000 | - | - | Hrs | I _F =110mA, Ta= 25°C |

Note 1: Ta means ambient temperature of TFT-LCD module.

Note 2: VCC, I_{VCC}, I_{rush LED}, P_{VCC} are defined for LED backlight.(100% duty of PWM dimming)

Note 3: I_F, V_F are defined for one channel LED. There are two LED channel in back light unit.

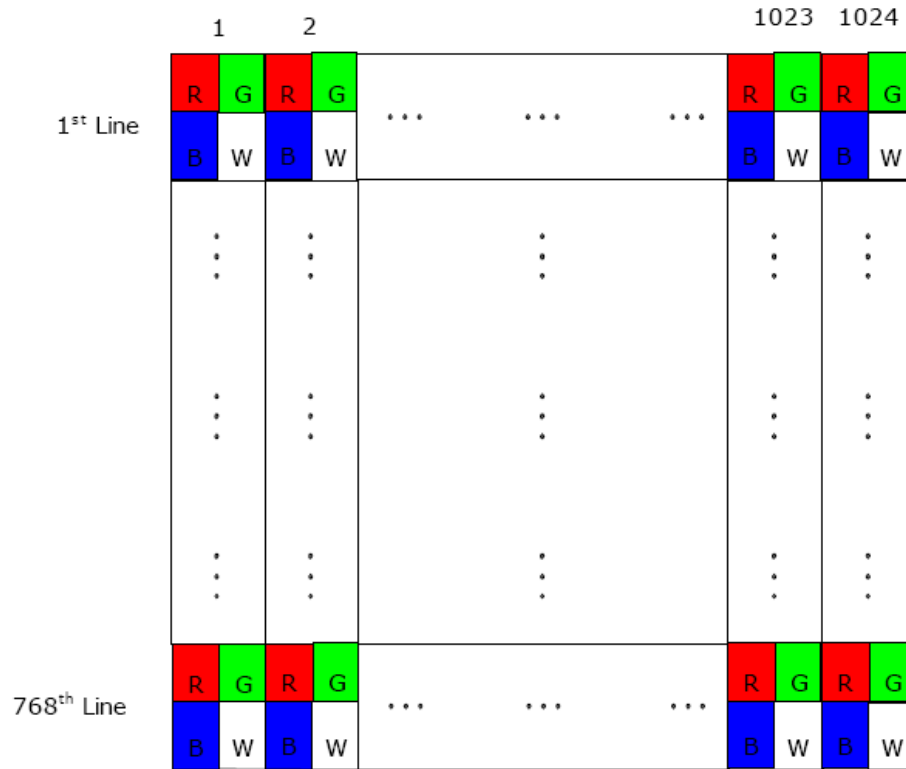
Note 4: If G121XN01 V0 module is driven by high current or at high ambient temperature & humidity condition. The operating life will be reduced.

Note 5: Operating life means brightness goes down to 50% initial brightness. Minimum operating life time is estimated data.

6. Signal Characteristics

6.1 Pixel Format Image

Following figure shows the relationship between input signal and LCD pixel format.



6.2 Scanning Direction

The following figures show the image seen from the front view. The arrow indicates the direction of scan.

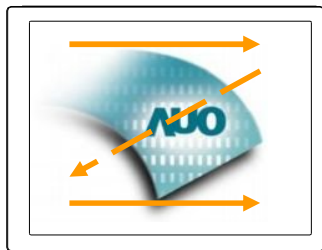


Fig. 1 Normal scan (Pin19, RSV = Low or NC)

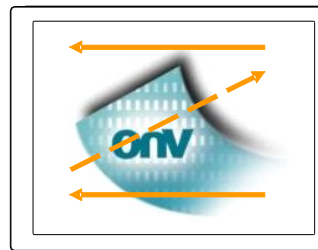


Fig. 2 Reverse scan (Pin19, RSV = High or VDD)

6.3 TFT-LCD Interface Signal Description

The module using a LVDS receiver embaded in AUO's ASIC. LVDS is a differential signal technology for LCD interface and a high-speed data transfer device.

| Input Signal Interface | | |
|------------------------|--------|---|
| Pin No. | Symbol | Description |
| 1 | VDD | Power Supply, 3.3V (typical) |
| 2 | VDD | Power Supply, 3.3V (typical) |
| 3 | GND | Ground |
| 4 | SEL68 | 6/ 8bits LVDS data input selection [H: 8bits L/NC: 6bit] *Note4 |
| 5 | RIN0- | LVDS receiver signal channel 0 |
| 6 | RIN0+ | LVDS Differential Data Input (R0, R1, R2, R3, R4, R5, G0) |
| 7 | GND | Ground |
| 8 | RIN1- | LVDS receiver signal channel 1 |
| 9 | RIN1+ | LVDS Differential Data Input (G1, G2, G3, G4, G5, B0, B1) |
| 10 | GND | Ground |
| 11 | RIN2- | LVDS receiver signal channel 2 |
| 12 | RIN2+ | LVDS Differential Data Input (B2, B3, B4, B5, HS, VS, DE) |
| 13 | GND | Ground |
| 14 | CLKIN- | LVDS receiver signal clock |
| 15 | CLKIN+ | |
| 16 | GND | Ground |
| 17 | RIN3- | LVDS receiver signal channel 3, NC for 6 bit LVDS Input. *Note5 |
| 18 | RIN3+ | LVDS Differential Data Input (R6, R7, G6, G7, B6, B7, RSV) |
| 19 | RSV | Reverse Scan Function [H: Enable; L/NC: Disable] |
| 20 | NC/GND | Reserved for AUO internal test. Please treat it as NC. |

Note 1: Input Signals shall be in low status when VDD is off.

Note 2: High stands for "3.3V", Low stands for "0V", NC stands for "No Connection".

Note 3: RSV stands for "Reserved".

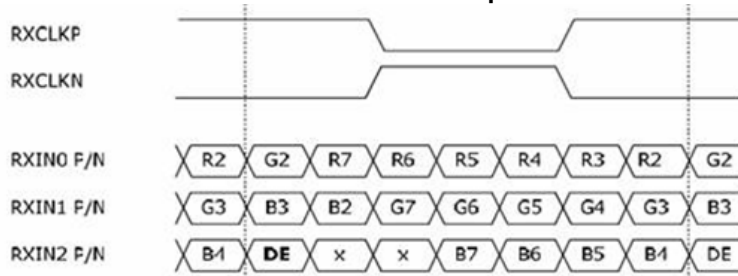
Note 4: Input signals shall be in low status when VDD is off.

Note 5: If 6 bits mode, please keep the Pin 17 & Pin 18 NC or make sure that the Voltage of Pin 17 is always higher than the Voltage of Pin 18.

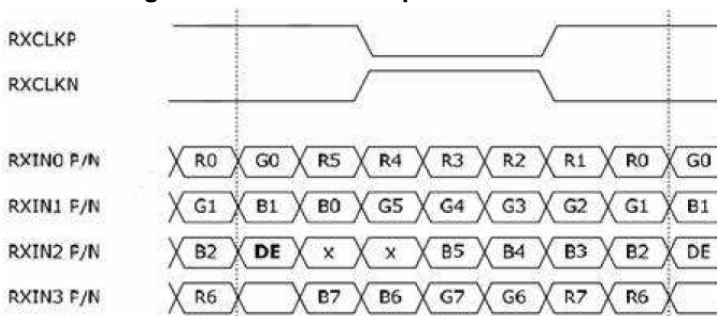
6.4 The Input Data Format

6.4.1 SEL68

SEL68 = “Low” or “NC” for 6 bits LVDS Input



SEL68 = “High” for 8 bits LVDS Input



Note1: Please follow PSWG.

Note2: R/G/B data 7:MSB, R/G/B data 0:LSB

| Signal Name | Description | |
|--|--|---|
| +RED5(R5) +RED4(R4) +RED3(R3) +RED2(R2) +RED1(R1) +RED0(R0) | Red Data 5 (MSB) Red Data 4 Red Data 3 Red Data 2 Red Data 1 Red Data 0 (LSB) Red-pixel Data | Red-pixel Data Each red pixel's brightness data consists of these 6 bits pixel data. |
| +GREEN5(G5) +GREEN4(G4) +GREEN3(G3) +GREEN2(G2) +GREEN1(G1) +GREEN0(G0) | Green Data 5 (MSB) Green Data 4 Green Data 3 Green Data 2 Green Data 1 Green Data 0 (LSB) Green-pixel Data | Green-pixel Data Each green pixel's brightness data consists of these 6 bits pixel data. |
| +BLUE5(B5) +BLUE4(B4) +BLUE3(B3) +BLUE2(B2) +BLUE1(B1) +BLUE0(B0) | Blue Data 5 (MSB) Blue Data 4 Blue Data 3 Blue Data 2 Blue Data 1 Blue Data 0 (LSB) Blue-pixel Data | Blue-pixel Data Each blue pixel's brightness data consists of these 6 bits pixel data. |
| CLK | Data Clock | The typical frequency is 65MHz. The signal is used to strobe the pixel data and DE signals. All pixel data shall be valid at the falling edge when the DE signal is high. |
| DE | Display Timing | This signal is strobed at the falling edge of CLK. When the signal is high, the pixel data shall be valid to be displayed. |

Note: Output signals from any system shall be low or Hi-Z state when VDD is off.

6.5 TFT-LCD Interface Timing

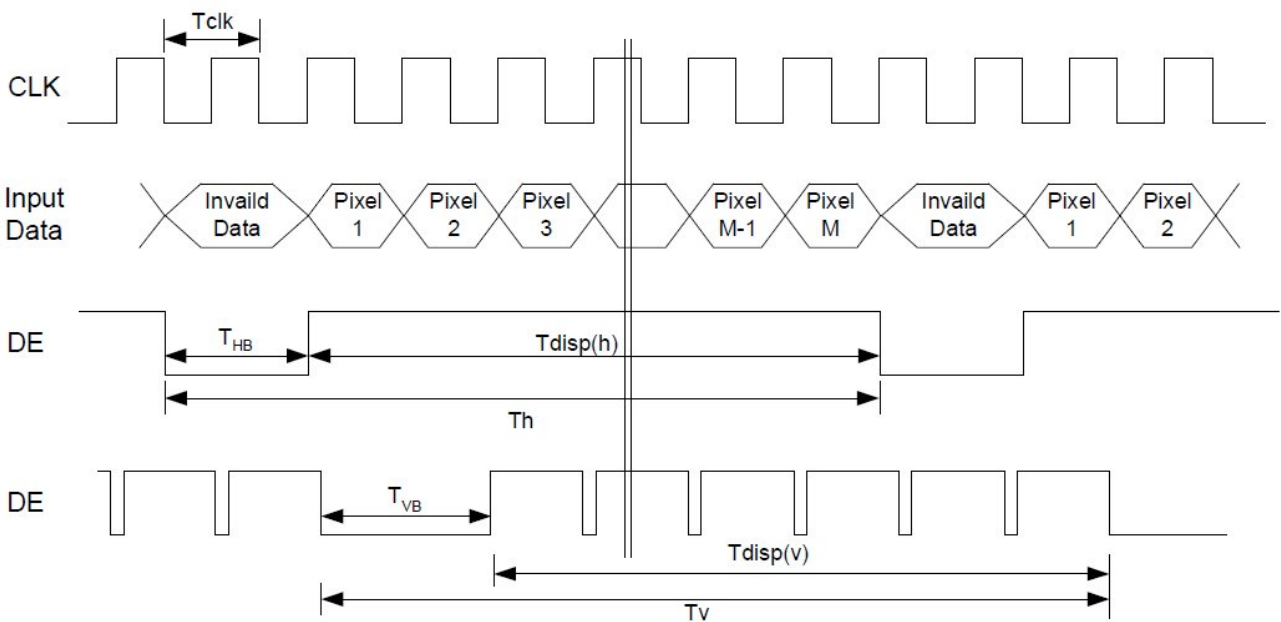
6.5.1 Timing Characteristics

| Signal | Symbol | Min. | Typ. | Max. | Unit |
|--------------------|----------------------|----------|------|------|--------------------|
| Clock Frequency | $1/T_{\text{Clock}}$ | 50 | 65 | 80 | MHz |
| Vertical Section | Period | T_V | 776 | 806 | T_{Line} |
| | Active | T_{VD} | - | 768 | |
| | Blanking | T_{VB} | 8 | 38 | |
| Horizontal Section | Period | T_H | 1054 | 1344 | T_{Clock} |
| | Active | T_{HD} | - | 1024 | |
| | Blanking | T_{HB} | 40 | 320 | |

Note 1: Frame rate is 60 Hz.

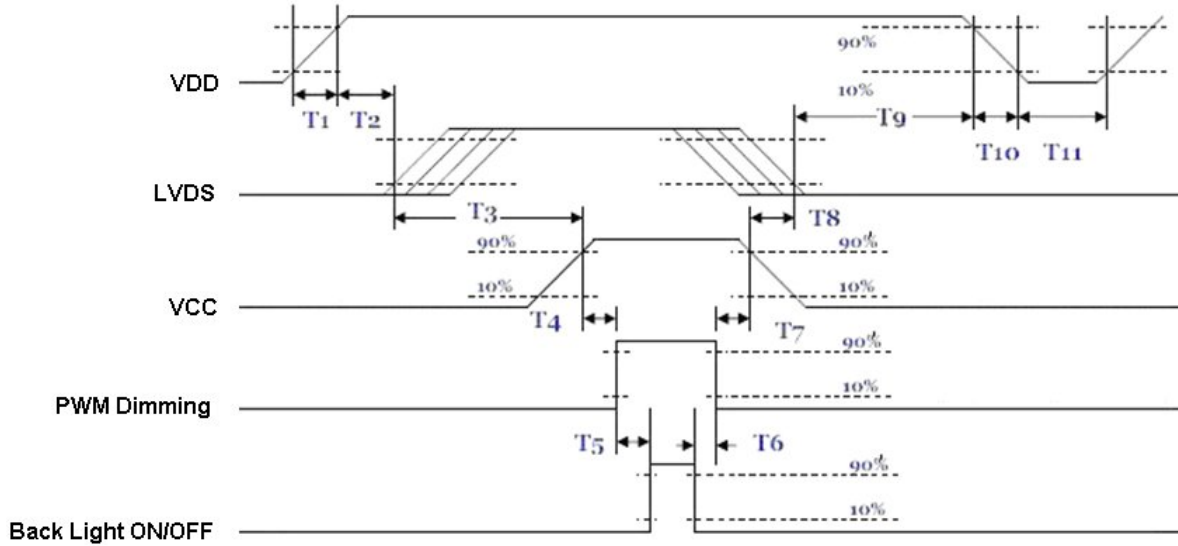
Note 2: DE mode.

6.5.2 Input Timing Diagram



6.6 Power ON/OFF Sequence

VDD power and lamp on/off sequence is as below. Interface signals are also shown in the chart. Signals from any system shall be Hi-Z state or low level when VDD is off.



Power ON/OFF sequence timing

| Parameter | Value | | | Units |
|-----------|-------|------|------|-------|
| | Min. | Typ. | Max. | |
| T1 | 0.5 | - | 10 | [ms] |
| T2 | 30 | 40 | 50 | [ms] |
| T3 | 200 | - | - | [ms] |
| T4 | 10 | - | - | [ms] |
| T5 | 10 | - | - | [ms] |
| T6 | 0 | - | - | [ms] |
| T7 | 10 | - | - | [ms] |
| T8 | 100 | - | - | [ms] |
| T9 | 0 | 16 | 50 | [ms] |
| T10 | - | - | 10 | [ms] |
| T11 | 1000 | - | - | [ms] |

The above on/off sequence should be applied to avoid abnormal function in the display. Please make sure to turn off the power when you plug the cable into the input connector or pull the cable out of the connector.

7. Connector & Pin Assignment

Physical interface is described as for the connector on module. These connectors are capable of accommodating the following signals and will be following components.

7.1 TFT-LCD Signal (CN1): LCD Connector

| Connector Name / Designation | Signal Connector |
|------------------------------|---------------------------|
| Manufacturer | STM or compatible |
| Connector Model Number | MSB240420-E or compatible |
| Adaptable Plug | P240420 or compatible |

| Pin No. | Symbol | Pin No. | Symbol |
|---------|--------|---------|--------|
| 1 | VDD | 2 | VDD |
| 3 | GND | 4 | SEL68 |
| 5 | RIN0- | 6 | RIN0+ |
| 7 | GND | 8 | RIN1- |
| 9 | RIN1+ | 10 | GND |
| 11 | RIN2- | 12 | RIN2+ |
| 13 | GND | 14 | CLKIN- |
| 15 | CLKIN+ | 16 | GND |
| 17 | RIN3- | 18 | RIN3+ |
| 19 | RSV | 20 | NC/GND |

7.2 LED Backlight Unit (CN2): Driver Connector

| Connector Name / Designation | Lamp Connector |
|------------------------------|------------------------------|
| Manufacturer | ENTERY or compatible |
| Connector Model Number | 3808K-F05N-02R or compatible |
| Mating Model Number | H208K-P05N-02B or compatible |

| Pin No. | symbol | description |
|---------|---------|-------------------|
| Pin1 | VCC | 12V input |
| Pin2 | GND | GND |
| Pin3 | ON/OFF | 5V/3.3V-ON,0V-OFF |
| Pin4 | Dimming | PWM |
| Pin5 | NA | |

7.3 LED Backlight Unit (CN4): Light bar Connector

| Connector Name / Designation | Lamp Connector |
|------------------------------|------------------------------|
| Manufacturer | ENTERY or compatible |
| Connector Model Number | H208K-P03N-02B or compatible |
| Mating Model Number(CN3) | 3808K-F03N-02R or compatible |

| Pin No. | symbol | description | Color |
|---------|--------|-------------|-------|
| Pin1 | H | LED anode | Red |
| Pin2 | L | LED cathode | White |
| Pin3 | L | LED cathode | Black |

8. Reliability Test Criteria

| Items | Required Condition | Note |
|--------------------------------|---|--------|
| Temperature Humidity Bias | 40 °C, 90%RH, 300 hours | |
| High Temperature Operation | 85 °C, 300 hours | |
| Low Temperature Operation | -30 °C, 300 hours | |
| Hot Storage | 85 °C, 300 hours | |
| Cold Storage | -30 °C, 300 hours | |
| Thermal Shock Test | -20 °C / 30 min, 60 °C / 30 min, 100cycles, 40 °C minimum ramp rate | |
| Hot Start Test | 85 °C / 1Hr min. power on/off per 5 minutes, 5 times | |
| Cold Start Test | -30 °C / 1Hr min. power on/off per 5 minutes, 5 times | |
| Shock Test (Non-Operating) | 50G, 20ms, Half-sine wave, (±X, ±Y, ±Z) | |
| Vibration Test (Non-Operating) | 1.5G, (10~200Hz, Sine wave) 30 mins/axis, 3 direction (X, Y, Z) | |
| On/off test | On/10 sec, Off/10 sec, 30,000 cycles | |
| ESD | Contact Discharge: ± 8KV, 150pF(330Ω) 1sec, 8 points, 25 times/ point Air Discharge: ± 15KV, 150pF(330Ω) 1sec, 8 points, 25 times/ point | Note 1 |
| EMI | 30-230 MHz, limit 30 dBu V/m, 230-1000 MHz, limit 37 dBu V/m | |

Note1: According to EN61000-4-2, ESD class B: Some performance degradation allowed. No data lost
Self-recoverable. No hardware failures.

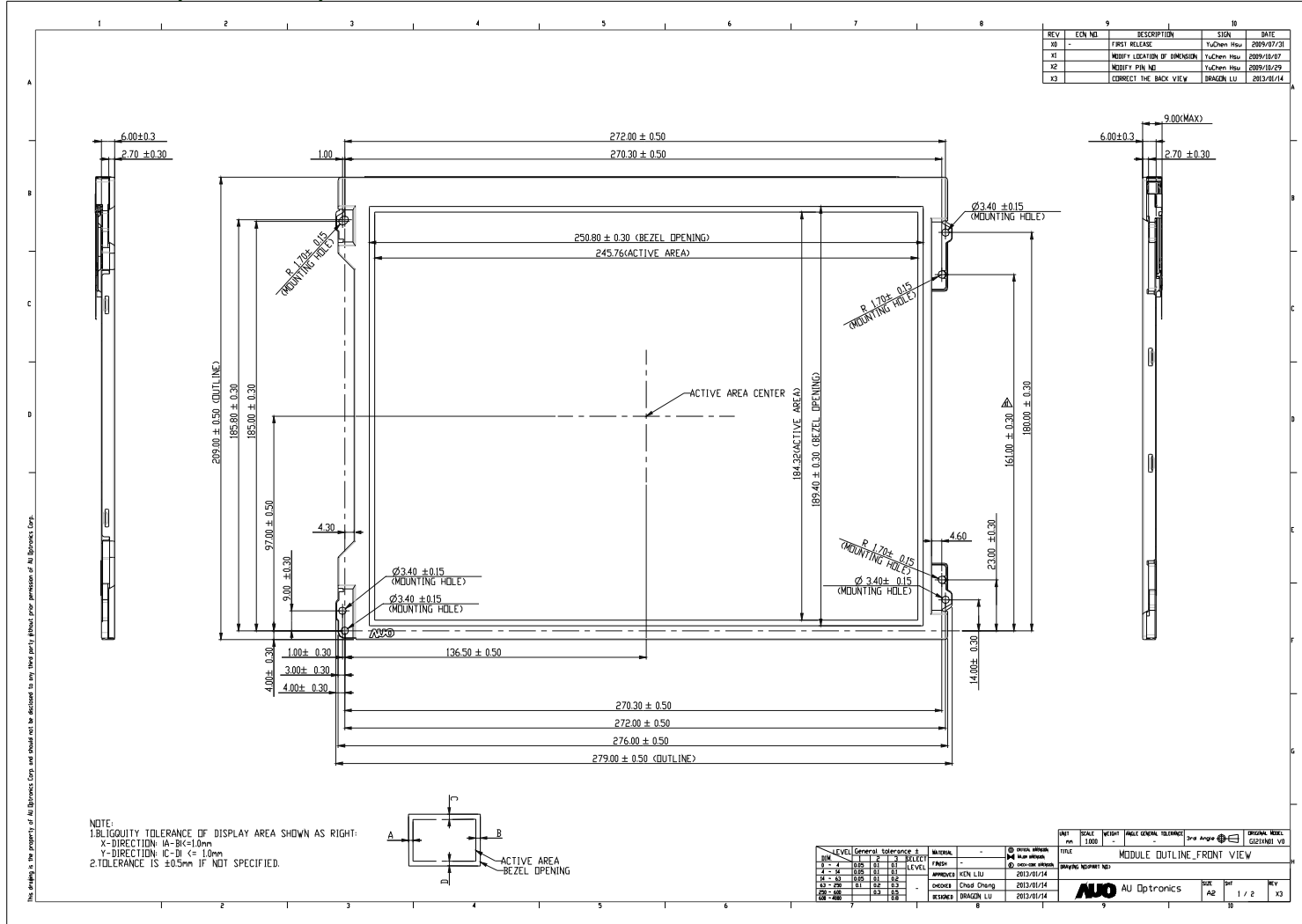
Note2:

- Water condensation is not allowed for each test items.
- Each test is done by new TFT-LCD module. Don't use the same TFT-LCD module repeatedly for reliability test.
- The reliability test is performed only to examine the TFT-LCD module capability.
- To inspect TFT-LCD module after reliability test, please store it at room temperature and room humidity for 24 hours at least in advance.



9. Mechanical Characteristics

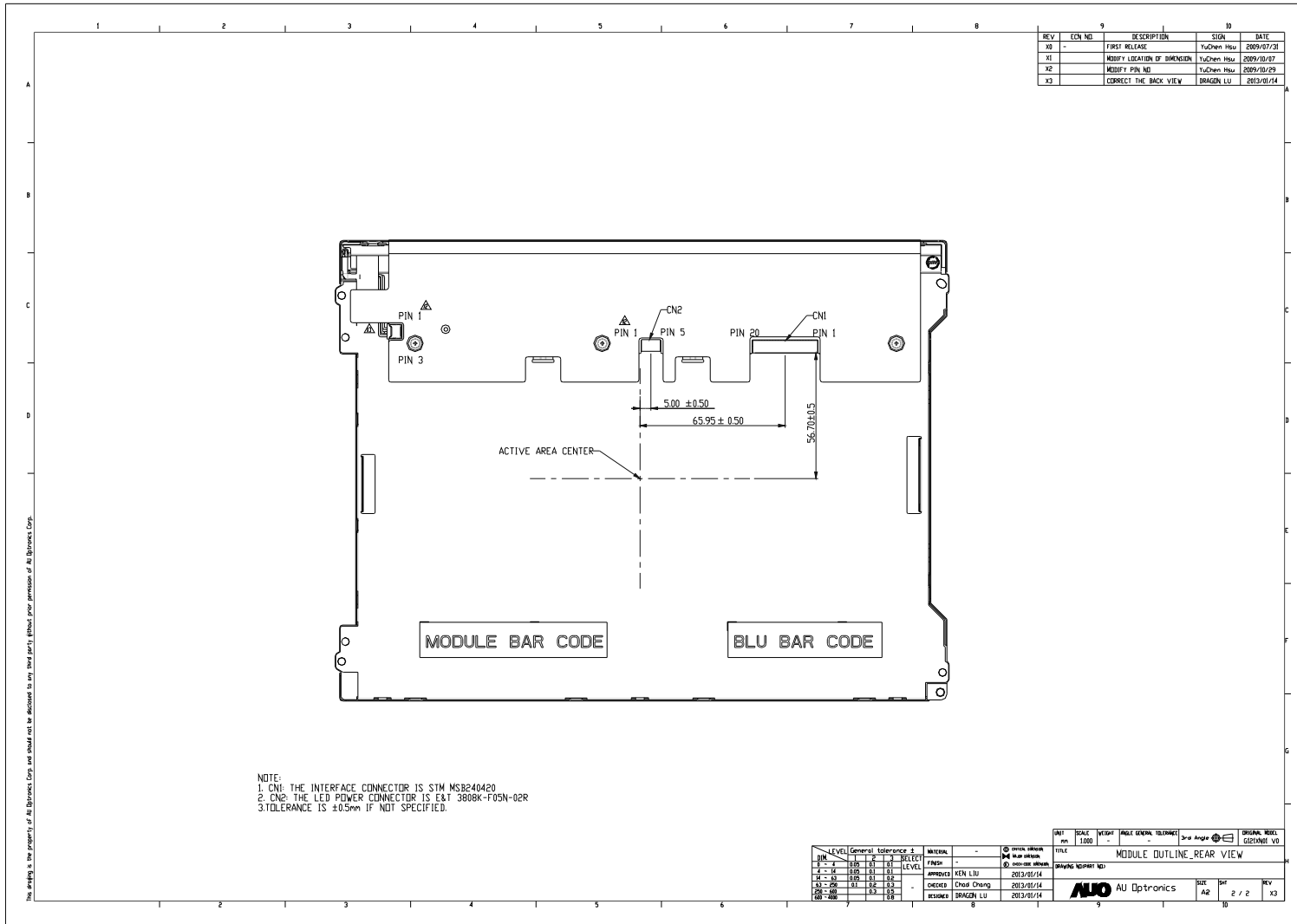
9.1 LCM Outline Dimension (Front View)





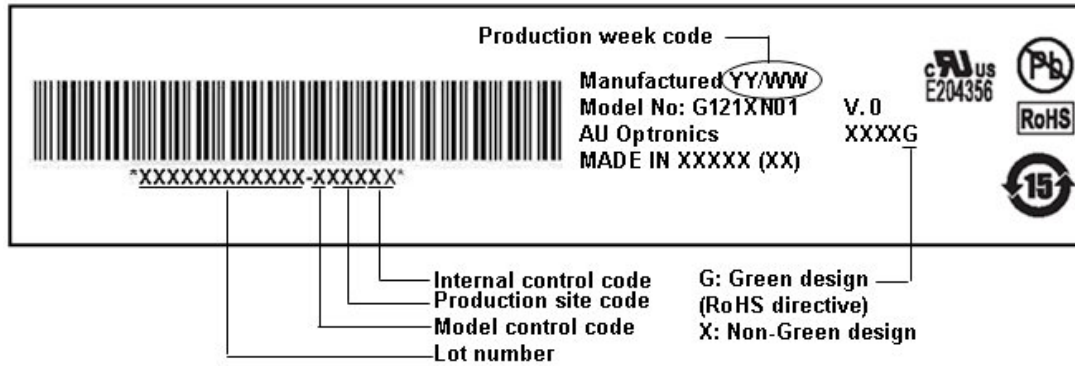
G121XN01 V0

9.2 LCM Outline Dimension (Rear View)

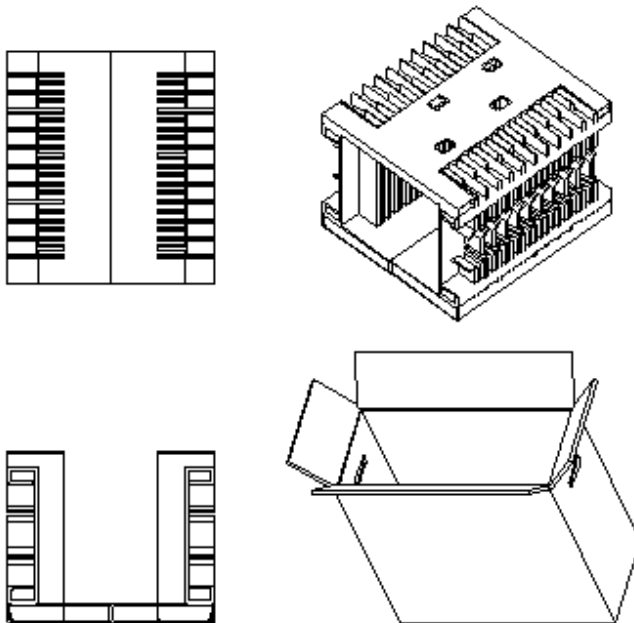


10. Label and Packaging

10.1 Shipping Label (on the rear side of TFT-LCD display)



10.2 Carton Package



Note:

1. Max. Capacity: 20pcs LCD Modules / per carton
2. Max. Weight: 14.8 kg / per carton
3. The outside dimension of carton is 570(L) mm x 320(W) mm x 420(H) mm

11 Safety

11.1 Sharp Edge Requirements

There will be no sharp edges or comers on the display assembly that could cause injury.

11.2 Materials

11.2.1 Toxicity

There will be no carcinogenic materials used anywhere in the display module. If toxic materials are used, they will be reviewed and approved by the responsible AUO toxicologist.

11.2.2 Flammability

All components including electrical components that do not meet the flammability grade UL94-V1 in the module will complete the flammability rating exception approval process.

The printed circuit board will be made from material rated 94-V1 or better. The actual UL flammability rating will be printed on the printed circuit board.

11.3 Capacitors

If any polarized capacitors are used in the display assembly, provisions will be made to keep them from being inserted backwards.

11.4 National Test Lab Requirement

The display module will satisfy all requirements for compliance to:

UL 1950, First Edition

U.S.A. Information Technology Equipment