



() Preliminary Specification
(V) Final Specification

Module	21.5" Color TFT-LCD
Model Name	G215HAN01.5(501)

Customer	Date
_____	_____
Approved by	
_____	_____
<p>Note: This Specification is subject to change without notice.</p>	

Approved by	Date
<u>Flossie Chuang</u>	<u>2021/11/22</u>
Prepared by	
<u>Roxanne Lin</u>	<u>2021/11/22</u>
<p>Desktop Display Business Group / AU Optronics corporation</p>	

Contents

1.0 Handling Precautions.....	4
2.0 General Description.....	5
2.1 Display Characteristics.....	5
2.2 Optical Characteristics	6
3.0 Functional Block Diagram.....	9
4.0 Absolute Maximum Ratings	9
4.1 TFT LCD Module	10
4.2 Absolute Ratings of Environment	10
5.0 Electrical characteristics	10
5.1 TFT LCD Module	10
5.1.1 Power Specification	11
5.1.2 Signal Electrical Characteristics	12
5.2 Backlight Unit.....	13
6.0 Signal Characteristic.....	14
6.1 Pixel Format Image	14
6.2 The input data format	15
6.3 Signal Description.....	15
6.4 Timing Characteristics	18
6.5 Timing diagram	19
6.6 Power ON/OFF Sequence	19
7.0 Connector & Pin Assignment.....	21
7.1 TFT LCD Module	21
7.2 LED Backlight Unit: LED Driver Connector	22
7.3 LED Driver Connector Pin Assignment	23
8.0 Reliability Test.....	23
9.0 Shipping Label & Packaging.....	24
9.1 Shipping Label.....	24
9.2 Packaging	24
9.3 Palletizing.....	25
10.0 Mechanical Characteristics.....	26
11 Safety.....	28
11.1 Sharp Edge Requirements	28
11.2 Materials.....	28
11.3 Capacitors	28
11.4 National Test Lab Requirement.....	28

Record of Revision

Version & Date	Page	Old description	New Description																																																																						
0.1		First version																																																																							
0.2	10	<p>4.2 Absolute Ratings of Environment</p> <p>Relative Humidity (RH%)</p> <p>Temperature (°C)</p> <p>Operating Range Storage Range + </p>	<p>4.2 Absolute Ratings of Environment</p> <p>Relative Humidity (%)</p> <p>Temperature (°C)</p> <p>Operating Range Storage Range + </p>																																																																						
0.3	13	<p>5.2 Backlight Unit (OM) LL:30K</p> <table border="1"> <thead> <tr> <th>Symbol</th> <th>Parameter</th> <th>Min.</th> <th>Typ.</th> <th>Max.</th> <th>Unit</th> <th>Remark</th> </tr> </thead> <tbody> <tr> <td>I_{F}</td> <td>LED Supply Current</td> <td>-</td> <td>90</td> <td>-</td> <td>mA</td> <td>$T_a = 25^\circ\text{C}$</td> </tr> <tr> <td>V_{F}</td> <td>LED Supply Voltage</td> <td>-</td> <td>3.07</td> <td>3.20</td> <td>Volt</td> <td>$I_f = (90)\text{mA}, T_a = 25^\circ\text{C}$</td> </tr> <tr> <td>$P_{LED}$</td> <td>LED Power Consumption</td> <td>-</td> <td>0.277</td> <td>-</td> <td>Watt</td> <td>$I_f = (90)\text{mA}, T_a = 25^\circ\text{C}$</td> </tr> <tr> <td>LL</td> <td>LED Life Time</td> <td>30,000</td> <td>-</td> <td>-</td> <td>Hrs.</td> <td>$I_f = (90)\text{mA}, T_a = 25^\circ\text{C}$</td> </tr> </tbody> </table>	Symbol	Parameter	Min.	Typ.	Max.	Unit	Remark	I_{F}	LED Supply Current	-	90	-	mA	$T_a = 25^\circ\text{C}$	V_{F}	LED Supply Voltage	-	3.07	3.20	Volt	$I_f = (90)\text{mA}, T_a = 25^\circ\text{C}$	P_{LED}	LED Power Consumption	-	0.277	-	Watt	$I_f = (90)\text{mA}, T_a = 25^\circ\text{C}$	LL	LED Life Time	30,000	-	-	Hrs.	$I_f = (90)\text{mA}, T_a = 25^\circ\text{C}$	<p>5.2 Backlight Unit LL:50K</p> <table border="1"> <thead> <tr> <th>Symbol</th> <th>Parameter</th> <th>Min.</th> <th>Typ.</th> <th>Max.</th> <th>Unit</th> <th>Remark</th> </tr> </thead> <tbody> <tr> <td>I_{F}</td> <td>LED Supply Current</td> <td>-</td> <td>90</td> <td>-</td> <td>mA</td> <td>$T_a = 25^\circ\text{C}$</td> </tr> <tr> <td>V_{F}</td> <td>LED Supply Voltage</td> <td>-</td> <td>3.07</td> <td>3.20</td> <td>Volt</td> <td>$I_f = (90)\text{mA}, T_a = 25^\circ\text{C}$</td> </tr> <tr> <td>$P_{LED}$</td> <td>LED Power Consumption</td> <td>-</td> <td>0.277</td> <td>-</td> <td>Watt</td> <td>$I_f = (90)\text{mA}, T_a = 25^\circ\text{C}$</td> </tr> <tr> <td>LL</td> <td>LED Life Time</td> <td>50,000</td> <td>-</td> <td>-</td> <td>Hrs.</td> <td>$I_f = (90)\text{mA}, T_a = 25^\circ\text{C}$</td> </tr> </tbody> </table>	Symbol	Parameter	Min.	Typ.	Max.	Unit	Remark	I_{F}	LED Supply Current	-	90	-	mA	$T_a = 25^\circ\text{C}$	V_{F}	LED Supply Voltage	-	3.07	3.20	Volt	$I_f = (90)\text{mA}, T_a = 25^\circ\text{C}$	P_{LED}	LED Power Consumption	-	0.277	-	Watt	$I_f = (90)\text{mA}, T_a = 25^\circ\text{C}$	LL	LED Life Time	50,000	-	-	Hrs.	$I_f = (90)\text{mA}, T_a = 25^\circ\text{C}$
Symbol	Parameter	Min.	Typ.	Max.	Unit	Remark																																																																			
I_{F}	LED Supply Current	-	90	-	mA	$T_a = 25^\circ\text{C}$																																																																			
V_{F}	LED Supply Voltage	-	3.07	3.20	Volt	$I_f = (90)\text{mA}, T_a = 25^\circ\text{C}$																																																																			
P_{LED}	LED Power Consumption	-	0.277	-	Watt	$I_f = (90)\text{mA}, T_a = 25^\circ\text{C}$																																																																			
LL	LED Life Time	30,000	-	-	Hrs.	$I_f = (90)\text{mA}, T_a = 25^\circ\text{C}$																																																																			
Symbol	Parameter	Min.	Typ.	Max.	Unit	Remark																																																																			
I_{F}	LED Supply Current	-	90	-	mA	$T_a = 25^\circ\text{C}$																																																																			
V_{F}	LED Supply Voltage	-	3.07	3.20	Volt	$I_f = (90)\text{mA}, T_a = 25^\circ\text{C}$																																																																			
P_{LED}	LED Power Consumption	-	0.277	-	Watt	$I_f = (90)\text{mA}, T_a = 25^\circ\text{C}$																																																																			
LL	LED Life Time	50,000	-	-	Hrs.	$I_f = (90)\text{mA}, T_a = 25^\circ\text{C}$																																																																			



1.0 Handling Precautions

- 1) Since front polarizer is easily damaged, pay attention not to scratch it.
- 2) Be sure to turn off power supply when inserting or disconnecting from input connector.
- 3) Wipe off water drop immediately. Long contact with water may cause discoloration or spots.
- 4) When the panel surface is soiled, wipe it with absorbent cotton or other soft cloth.
- 5) Since the panel is made of glass, it may break or crack if dropped or bumped on hard surface.
- 6) Since CMOS LSI is used in this module, take care of static electricity and insure human earth when handling.
- 7) Do not open or modify the Module Assembly.
- 8) Do not press the reflector sheet at the back of the module to any directions.
- 9) In case if a Module has to be put back into the packing container slot after it was taken out from the container, do not press the center of LED lightbar edge. Instead, press at the far ends of the LED light bar edge softly. Otherwise the TFT Module may be damaged.
- 10) At the insertion or removal of the Signal Interface Connector, be sure not to rotate nor tilt the Interface Connector of the TFT Module.
- 11) After installation of the TFT Module into an enclosure, do not twist nor bend the TFT Module even momentarily. While designing the enclosure, it should be taken into consideration that no bending/twisting forces are applied to the TFT Module from outside. Otherwise the TFT Module may be damaged.
- 12) Small amount of materials having no flammability grade is used in the LCD module. The LCD module should be supplied by power complied with requirements of Limited Power Source (IEC60950-1 or UL60950-1), or be applied exemption.

2.0 General Description

This specification applies to the 21.5 inch-wide Color AHVA (IPS-like) TFT-LCD Module G215HAN01.5. The display supports the FHD [1920(H) x 1080(V)] screen format and 16.7M colors. All input signals are LVDS interface compatible.

2.1 Display Characteristics

The following items are characteristics summary on the table under 25°C condition:

ITEMS	Unit	SPECIFICATIONS
Screen Diagonal	[mm]	546.86 (21.5")
Active Area	[mm]	476.064 (H) x 267.786 (V)
Pixels H x V		1920(x3) x 1080
Pixel Pitch	[um]	247.95 (per one triad) x247.95
Pixel Arrangement		R.G.B. Vertical Stripe
Display Mode		AHVA Mode, Normally Black
White Luminance (Center)	[cd/m ²]	500 cd/m ² (Typ.)
Contrast Ratio		1000 (Typ.)
Optical Response Time	[msec]	22
Nominal Input Voltage VDD	[Volt]	5 V (Typ)
Power Consumption (VDD line + LED line)	[Watt]	TTL: 20.03(Typ.) LCD module: PDD(Typ.)=2.3@White pattern, Fv=60Hz Backlight unit : P _{BLU} =(17.73W)(Typ.)
Weight	[Grams]	(1740g) (Typ.)
Physical Size	[mm]	497.6(H) x 292.2(V) x 10.6 (D) (Typ.)
Electrical Interface		Dual LVDS
Support Color		16.7M colors
Surface Treatment		Anti-Glare, 3H
RoHS Compliance		RoHS Compliance
Temperature Range		
Operating	[°C]	-10~ 60
Storage (Shipping)	[°C]	-20~ 60

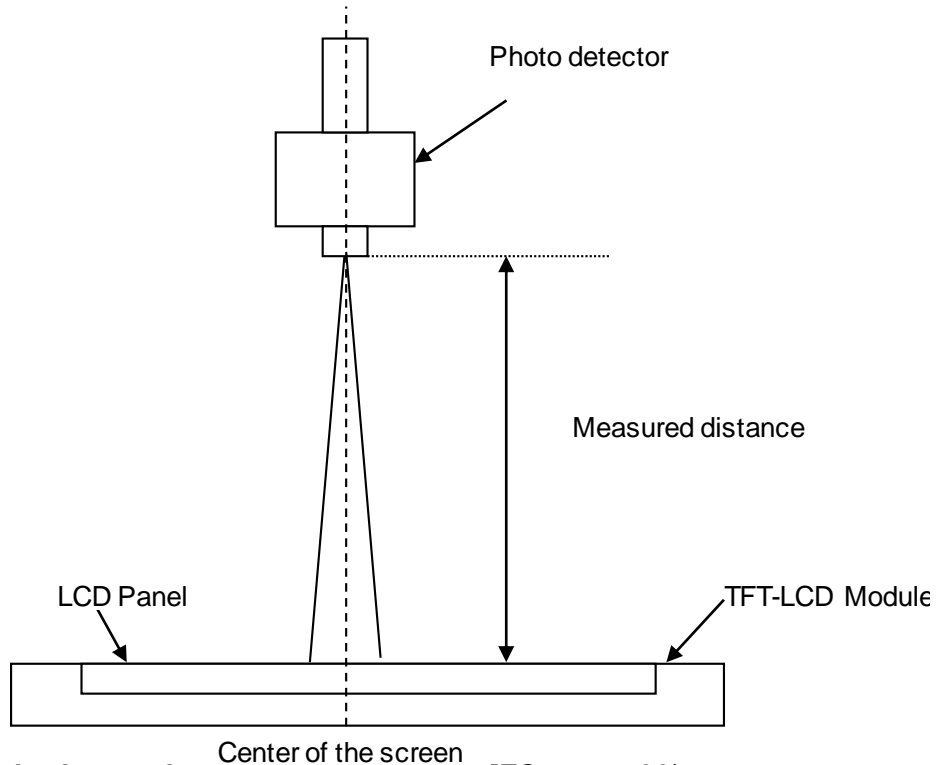
2.2 Optical Characteristics

The optical characteristics are measured under stable conditions at 25 °C:

Item	Unit	Conditions	Min.	Typ.	Max.	Note
Viewing Angle	[degree]	Horizontal (Right) CR >10 (Left)		89 89	- -	2
		Vertical (Up) CR > 10 (Down)		89 89	- -	
Contrast ratio		Normal Direction	800	1000	-	3
Response Time	[msec]	Raising Time (T _{rR})		12	22	4
		Falling Time (T _{rF})		10	20	
		Raising + Falling		22	42	
Color / Chromaticity Coordinates (CIE)		Red x	(0.596)	(0.646)	(0.666)	5
		Red y	(0.254)	(0.334)	(0.384)	
		Green x	(0.263)	(0.313)	(0.363)	
		Green y	(0.572)	(0.622)	(0.672)	
		Blue x	(0.104)	(0.154)	(0.204)	
		Blue y	(0.001)	(0.051)	(0.101)	
Color Coordinates (CIE) White		White x	0.263	0.313	0.363	5
		White y	0.279	0.329	0.379	
Central Luminance	[cd/m ²]		400	500		6
Luminance Uniformity	[%]		(75)	(80)		7
Color Gamut	%			72		

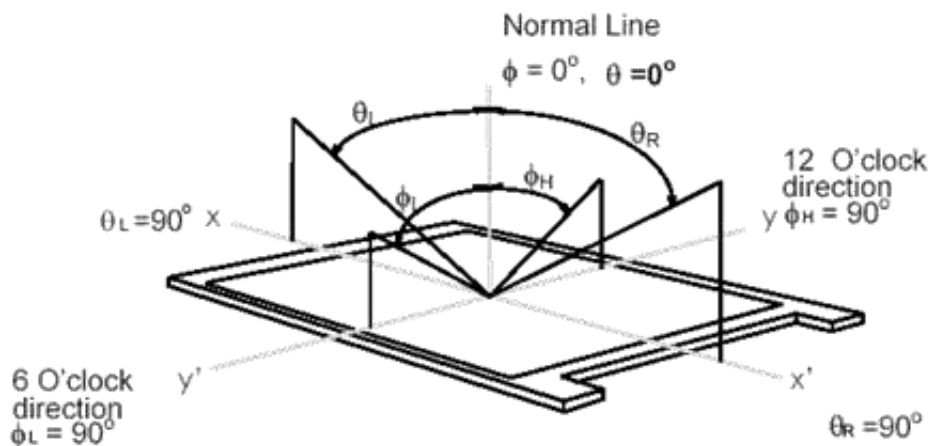
Note 1: Measurement method

The LCD module should be stabilized at given temperature for 30 minutes to avoid abrupt temperature change during measuring (at surface 35°C). In order to stabilize the luminance, the measurement should be executed after lighting Backlight for 30 minutes in a stable, windless and dark room.



Note 2: Definition of viewing angle measured by ELDIM (EZContrast 88)

Viewing angle is the measurement of contrast ratio ≥ 10 , at the screen center, over a 180° horizontal and 180° vertical range (off-normal viewing angles). The 180° viewing angle range is broken down as follows; 90° (θ) horizontal left and right and 90° (Φ) vertical, high (up) and low (down). The measurement direction is typically perpendicular to the display surface with the screen rotated about its center to develop the desired measurement viewing angle.

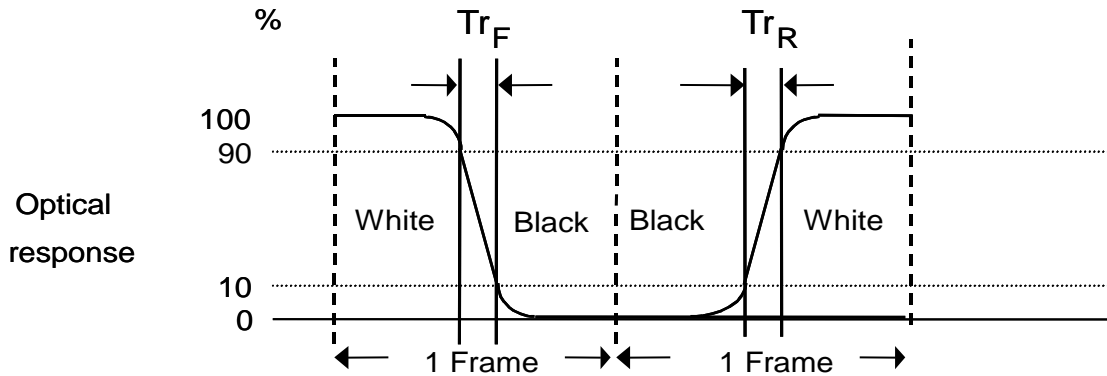


Note 3: Contrast ratio is measured by TOPCON SR-3

Note 4: Definition of Response time measured by Westar TRD-100A

The output signals of photo detector are measured when the input signals are changed from “Full Black” to “Full White” (rising time, T_{rR}), and from “Full White” to “Full Black” (falling time, T_{rF}), respectively. The response time is interval between the 10% and 90% (1 frame at 60 Hz) of amplitudes.

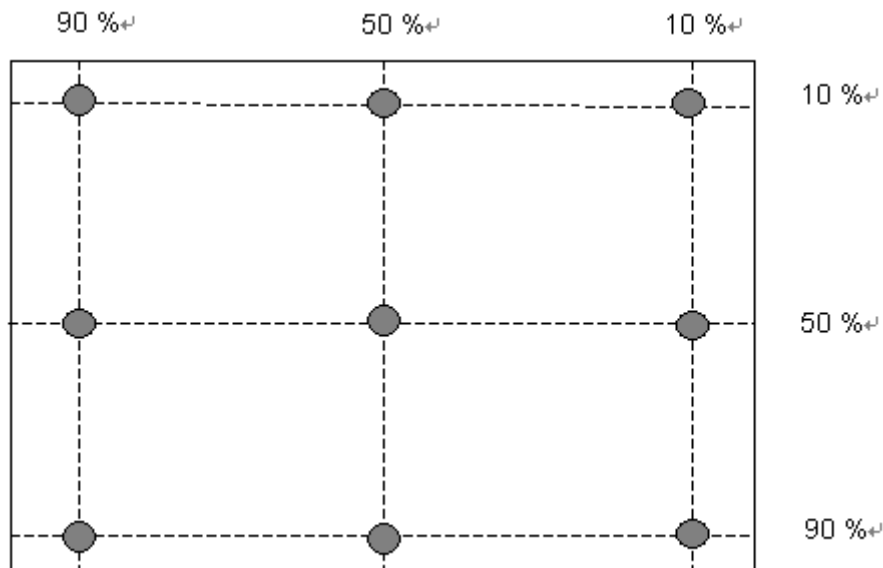
$T_{rR} + T_{rF} = 5 \text{ msec (typ.)}$.



Note 5: Color chromaticity and coordinates (CIE) is measured by TOPCON SR-3

Note 6: Central luminance is measured by TOPCON SR-3

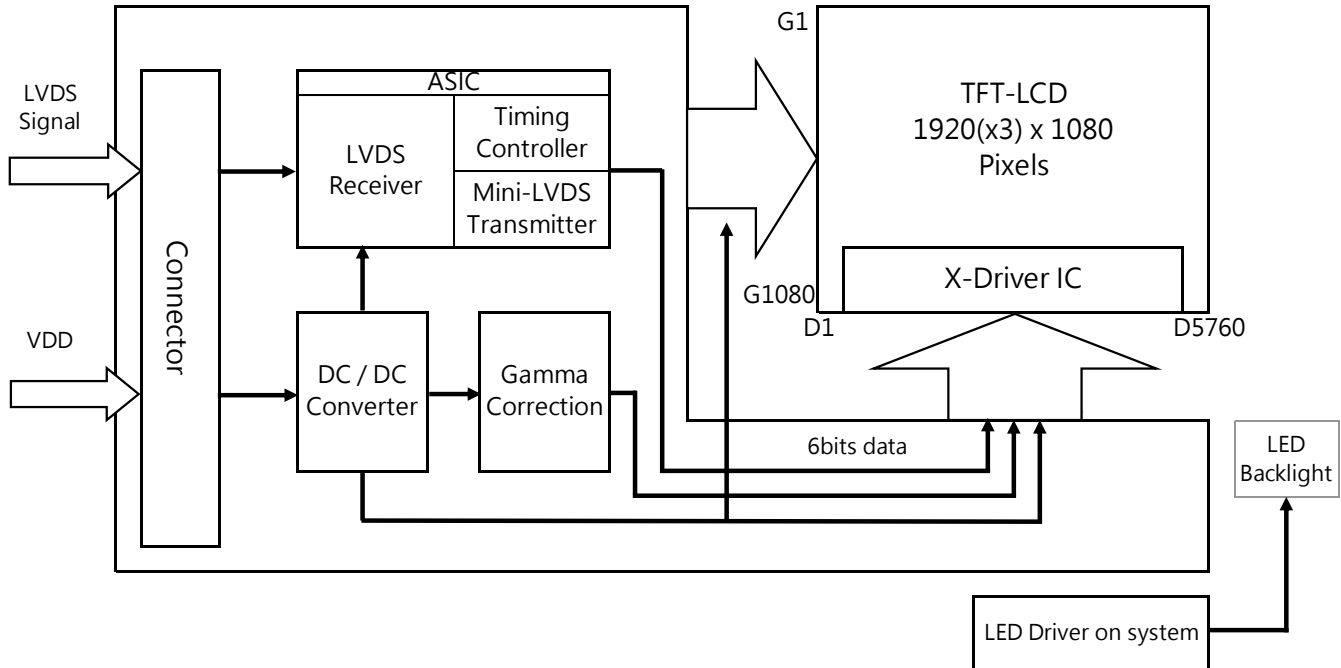
Note 7: Luminance uniformity of these 9 points is defined as below and measured by TOPCON SR-3



$$\text{Uniformity} = \frac{\text{Minimum Luminance in 9 points(1-9)}}{\text{Maximum Luminance in 9 Points(1-9)}}$$

3.0 Functional Block Diagram

The following diagram shows the functional block of the 21.5 inch Color TFT-LCD Module:



I/F PCB Interface:

Connector: MSBKT2407P30HB

Mating Type:

FI-X30H or FI-X30C2-NPB (Unlocked Type)

4.0 Absolute Maximum Ratings

Absolute maximum ratings of the module are as following:

4.1 TFT LCD Module

Item	Symbol	Min	Max	Unit	Conditions
Logic/LCD Drive Voltage	VDD	-0.3	+5.5	[Volt]	Note 1,2

4.2 Absolute Ratings of Environment

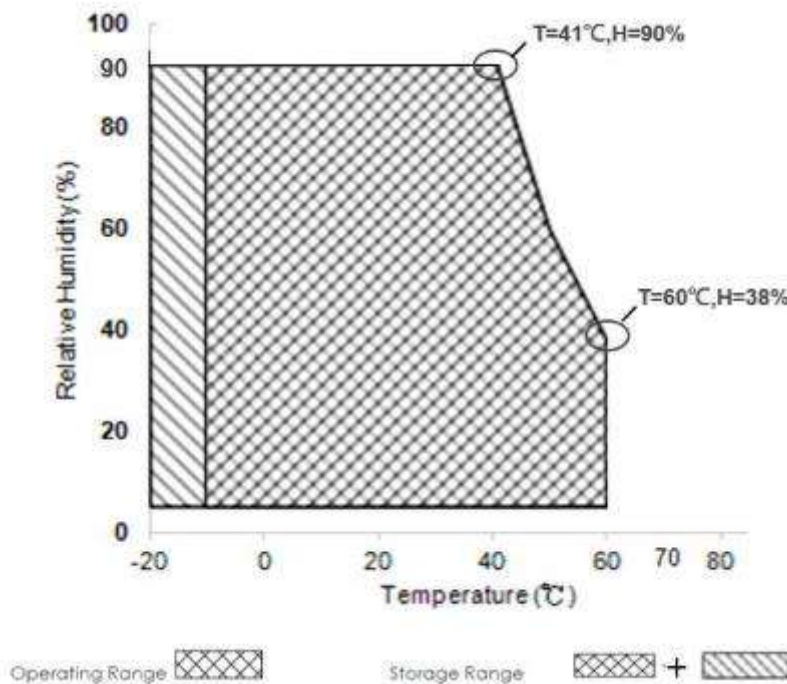
Item	Symbol	Min.	Max.	Unit	Conditions
Operating Temperature	TOP	-10	60	[°C]	Note 3 & 4
Operation Humidity	HOP	5	90	[%RH]	
Storage Temperature	TST	-20	60	[°C]	
Storage Humidity	HST	5	90	[%RH]	

Note 1: With in Ta (25 °C)

Note 2: Permanent damage to the device may occur if exceeding maximum values

Note 3: For quality performance, please refer to AUO IIS (Incoming Inspection Standard).

Note 4: Operation Temperature +60°C is defined as panel surface temperature.



5.0 Electrical characteristics

5.1 TFT LCD Module

5.1.1 Power Specification

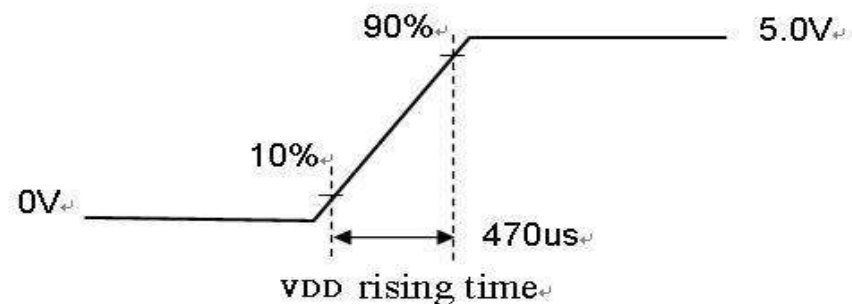
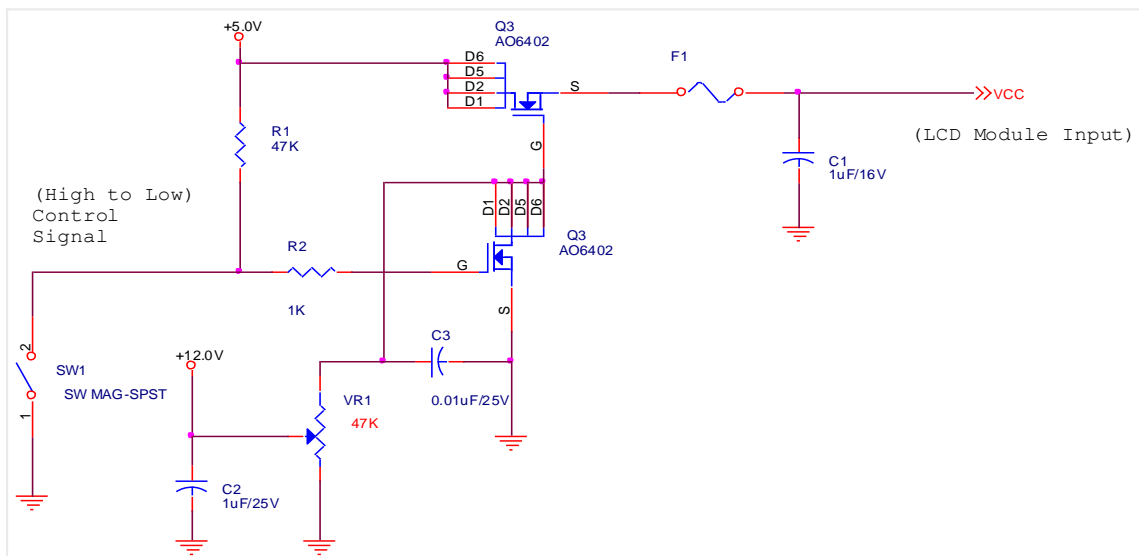
Input power specifications are as follows:

ut power specifications are as follows:

Symbol	Parameter	Min	Typ	Max	Unit	Conditions
VDD	Logic/LCD Drive Voltage	4.5	5.0	5.5	[Volt]	+/-10%
IDD	Input Current	-	0.46	0.55	[A]	VDD= 5.0V, All White Pattern At 60Hz,
PDD	VDD Power	-	2.3	2.75	[Watt]	VDD= 5.0V, All White Pattern At 60Hz
IRush	Inrush Current	-		3.0	[A]	Note 1
VDDrp	Allowable Logic/LCD Drive Ripple Voltage	-	-	500	[mV] p-p	VDD= 5.0V, All White Pattern At 60Hz

Note 1: Measurement conditions:

The duration of rising time of power input is 470us.



5.1.2 Signal Electrical Characteristics

Input signals shall be low or Hi-Z state when VDD is off. Please refer to specifications of SN75LVDS82DGG (Texas Instruments) in detail.

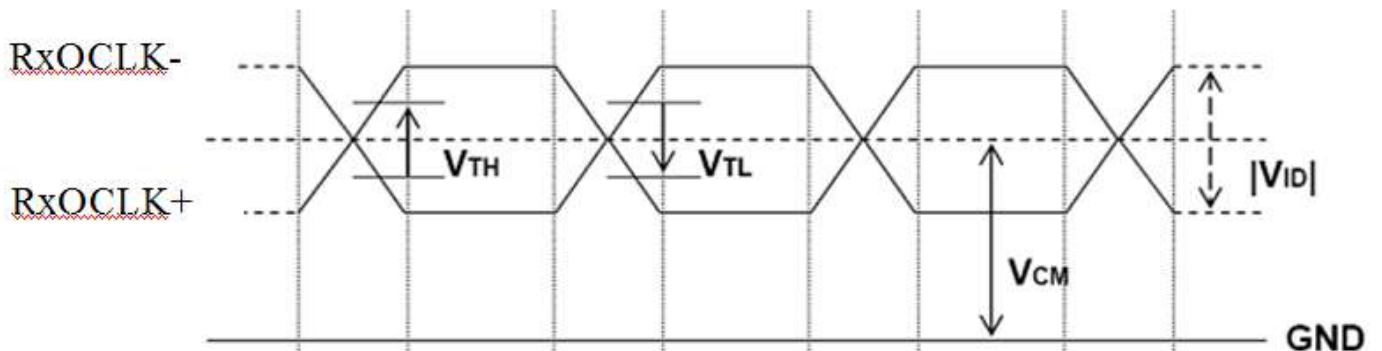
Characteristics of each signal are as follows:

Symbol	Parameter	Min	Typ	Max	Units	Condition
V_{TH}	Differential Input High Threshold			100	[mV]	$V_{ICM} = 1.2V$ Note 1
V_{TL}	Differential Input Low Threshold	-100			[mV]	$V_{ICM} = 1.2V$ Note 1
$ V_{ID} $	Input Differential Voltage	100	400	600	[mV]	Note 1
V_{ICM}	Differential Input Common Mode Voltage	1.0	1.2	1.5	[V]	$V_{TH}-V_{TL} = 200MV$ (max) Note 1

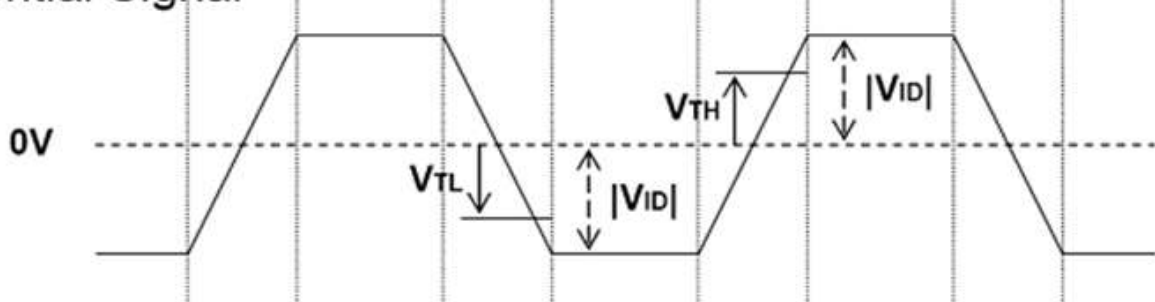
Note 1: LVDS Signal Waveform

Use RxOCLK- & RxOCLK+ as example.

Single-End



Differential Signal



5.2 Backlight Unit (OM)

Following characteristics are measured under a stable condition at 25 °C (Room Temperature):

Symbol	Parameter	Min.	Typ.	Max.	Unit	Remark
I_F	LED Supply Current		90		mA	Ta = 25 °C
V_F	LED Supply Voltage	-	3.07	3.20	Volt	$I_F = (90)\text{mA}$, Ta = 25 °C
P_{LED}	LED Power Consumption	-	0.277		Watt	$I_F = (90)\text{ mA}$, Ta = 25 °C
LL	LED Life Time	50,000			Hrs	$I_F = (90)\text{ mA}$, Ta= 25 °C

Note 1: Ta means ambient temperature of TFT-LCD module.

Note 2: I_F , V_F , P_{LED} are defined for single LED.

Note 3: If G215HAN01.501 module is driven by high current or at high ambient temperature & humidity condition. The operating life will be reduced.

Note 4: Operation life means brightness goes down to 50% initial brightness. Minimum operating life time is estimated data.

Note 5: Each LED light bar consists of 64 pcs LED package (4 strings x 16 pcs / string)

6.0 Signal Characteristic

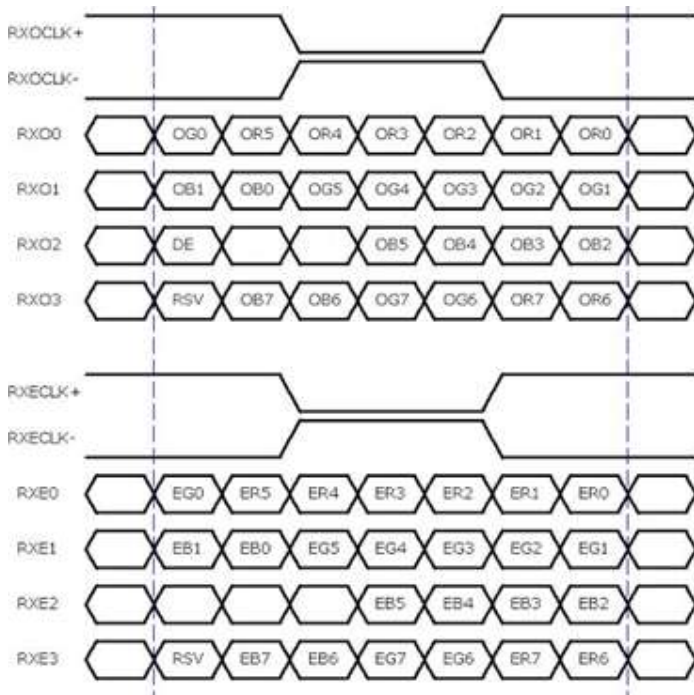
6.1 Pixel Format Image

Following figure shows the relationship of the input signals and LCD pixel format.

	1			2			...						1919			1920		
1st Line	R	G	B	R	G	B						R	G	B	R	G	B
	-	-	-	-	-	-	-						-	-	-	-	-	-

1080 Line	R	G	B	R	G	B						R	G	B	R	G	B

6.2 The input data format



8 Bit Color Bit Order			
MSB	R7	G7	B7
	R6	G6	B6
	R5	G5	B5
	R4	G4	B4
	R3	G3	B3
	R2	G2	B2
	R1	G1	B1
LSB	R0	G0	B0

Note1: Normally DE mode only. VS and HS on EVEN channel are not used.

Note2: Please follow VESA.

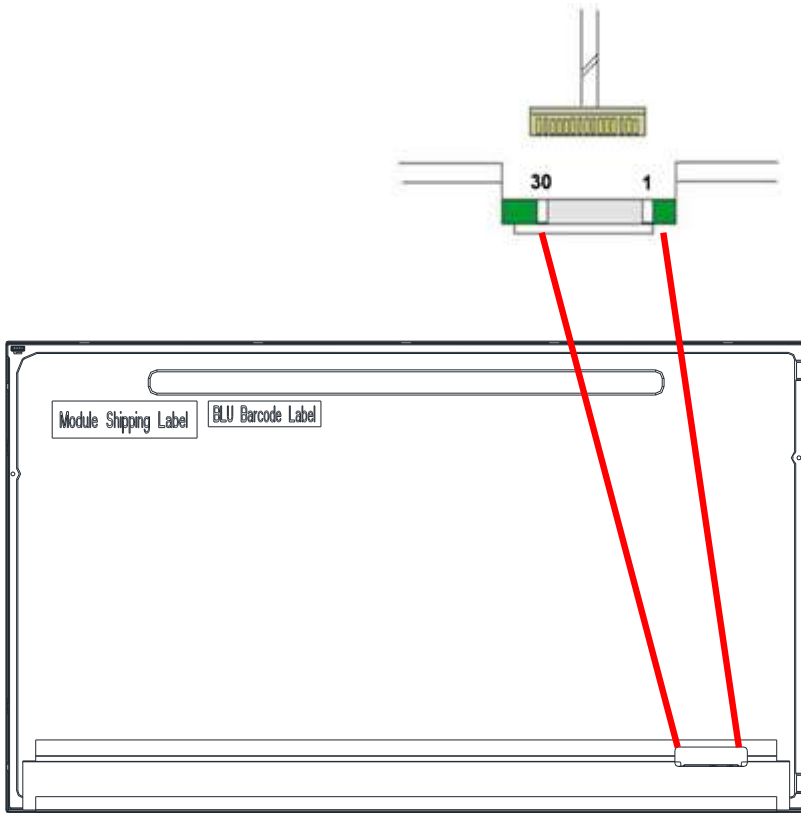
Note3: 8-bits signal input.

6.3 Signal Description

The module using a pair of LVDS receiver **SN75LVDS82 / SN75LVDS83** (Texas Instruments) or compatible. LVDS is a differential signal technology for LCD interface and high speed data transfer device. Transmitter shall be SN75LVDS83(negative edge sampling) or compatible. The first LVDS port(RxOxxx) transmits odd pixels while the second LVDS port(RxExxx) transmits even pixels.

PIN #	SIGNAL NAME	DESCRIPTION
1	RxO0-	Negative LVDS differential data input (Odd data)
2	RxO0+	Positive LVDS differential data input (Odd data)
3	RxO1-	Negative LVDS differential data input (Odd data)
4	RxO1+	Positive LVDS differential data input (Odd data)
5	RxO2-	Negative LVDS differential data input (Odd data)
6	RxO2+	Positive LVDS differential data input (Odd data)
7	GND	Ground
8	RxOCLK-	Negative LVDS differential clock input (Odd clock)
9	RxOCLK+	Positive LVDS differential clock input (Odd clock)
10	RxO3-	Negative LVDS differential data input (Odd data)
11	RxO3+	Positive LVDS differential data input (Odd data)
12	RxE0-	Negative LVDS differential data input (Even data)
13	RxE0+	Positive LVDS differential data input (Even data)
14	GND	Ground
15	RxE1-	Negative LVDS differential data input (Even data)
16	RxE1+	Positive LVDS differential data input (Even data)
17	GND	Ground
18	RxE2-	Negative LVDS differential data input (Even data)
19	RxE2+	Positive LVDS differential data input (Even data)
20	RxECLK-	Negative LVDS differential clock input (Even clock)
21	RxECLK+	Positive LVDS differential clock input (Even clock)
22	RxE3-	Negative LVDS differential data input (Even data)
23	RxE3+	Positive LVDS differential data input (Even data)
24	GND	Ground
25	NC	No connection (for AUO test only. Do not connect)
26	NC	No connection (for AUO test only. Do not connect)
27	NC	No connection (for AUO test only. Do not connect)
28	VDD	Power Supply Input Voltage
29	VDD	Power Supply Input Voltage
30	VDD	Power Supply Input Voltage

Note 1: Start from right side



Note2: Input signals of clock shall be the same timing.

Note3: Please follow TV VESA Pin Assignment

6.4 Timing Characteristics

Signal	Item	Symbol	Min	Typ	Max	Unit
V-section	Period	Tv	1094	1130	1836	Th
	Active	Tdisp(v)	1080	1080	1080	Th
	Blanking	Tbp(v)+Tfp(v)+PWvs	14	50	756	Th
H-section	Period	Th	1000	1050	1678	Tclk
	Active	Tdisp(h)	960	960	960	Tclk
	Blanking	Tbp(h)+Tfp(h)+PWhs	40	90	718	Tclk
Clock	Period	Tclk	11.2	14	18.6	ns
	Frequency	Freq.	53.7	71.2	90	MHz
Frame Rate	Frame Rate	1/Tv	49	60	76	Hz

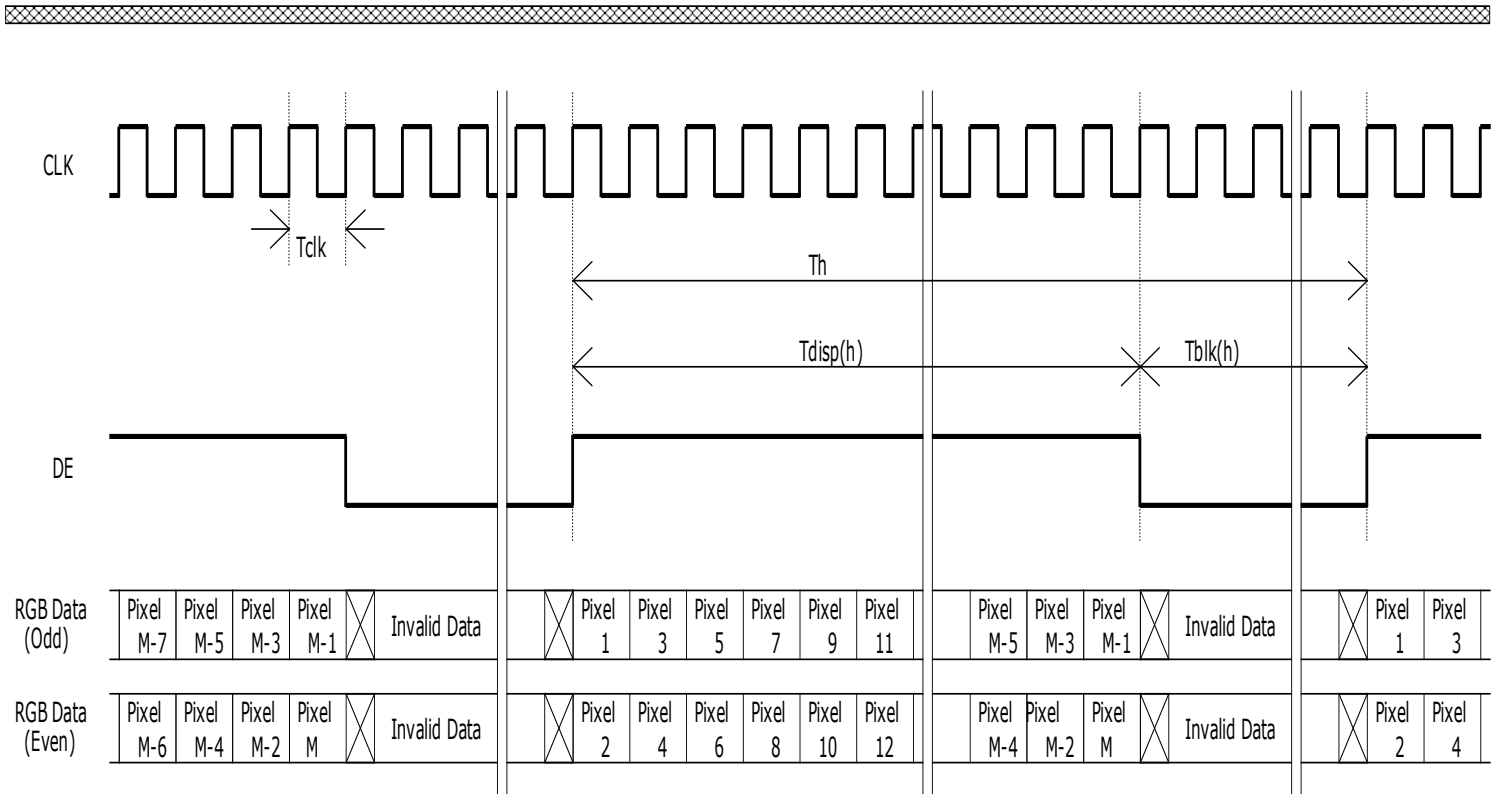
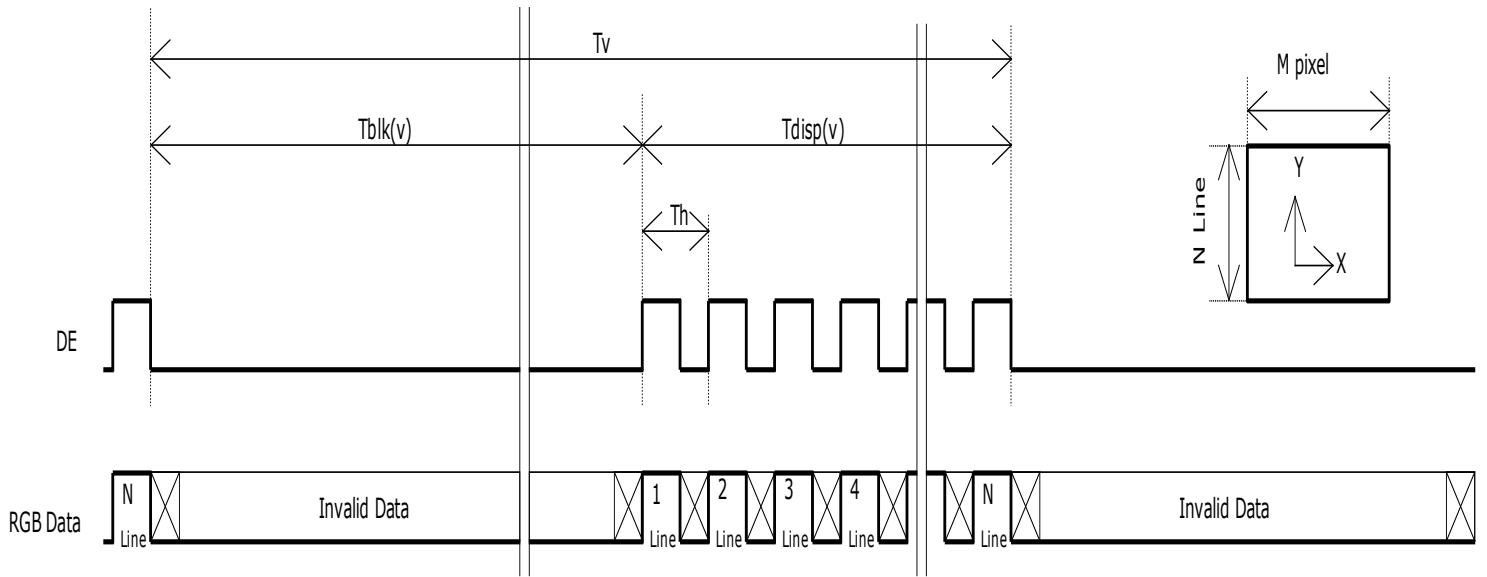
Note 1: Only DE mode operation.

The input of Hsync & Vsync signal does not have an effect upon the LCD normal operation.

Note 2: The performance of the electro-optical characteristics may be influenced by variance of the vertical refresh rates.

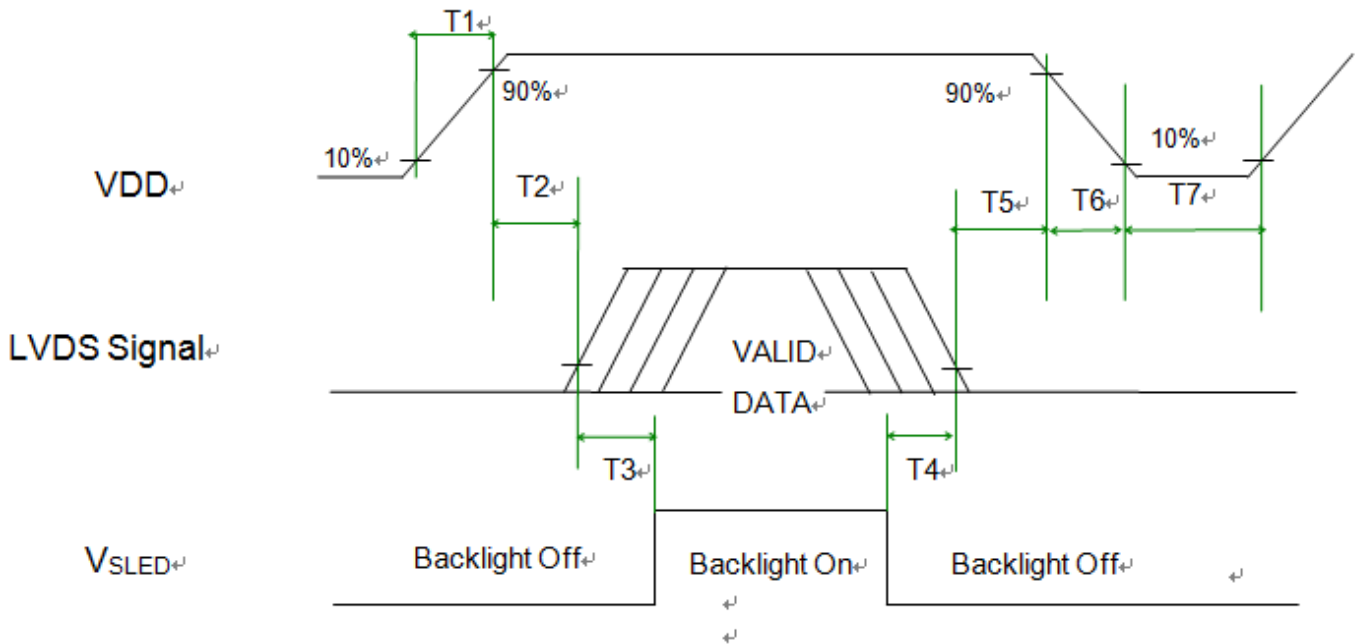
Note 3: Horizontal period should be even.

6.5 Timing diagram



6.6 Power ON/OFF Sequence

VDD power and LED on/off sequence are as follows. Interface signals are also shown in the chart. Signals from any system shall be Hi-Z state or low level when VDD is off.



Power ON/OFF sequence timing

Parameter	Value			Units
	Min.	Typ.	Max.	
T1	0.5	-	10	[ms]
T2	0	-	50	[ms]
T3	500	-	-	[ms]
T4	100	-	-	[ms]
T5	0	-	50	[ms]
T6	0	-	200	[ms]
T7	1000	-	-	[ms]

7.0 Connector & Pin Assignment

Physical interface is described as for the connector on module. These connectors are capable of accommodating the following signals and will be following components.

7.1 TFT LCD Module

Connector Name / Designation	Interface Connector / Interface card
Manufacturer	STM
Type Part Number	MSBKT2407P30HB
Mating Housing Part Number	FI-X30H or FI-X30C2-NPB (Unlocked Type)

7.1.1 Pin Assignment

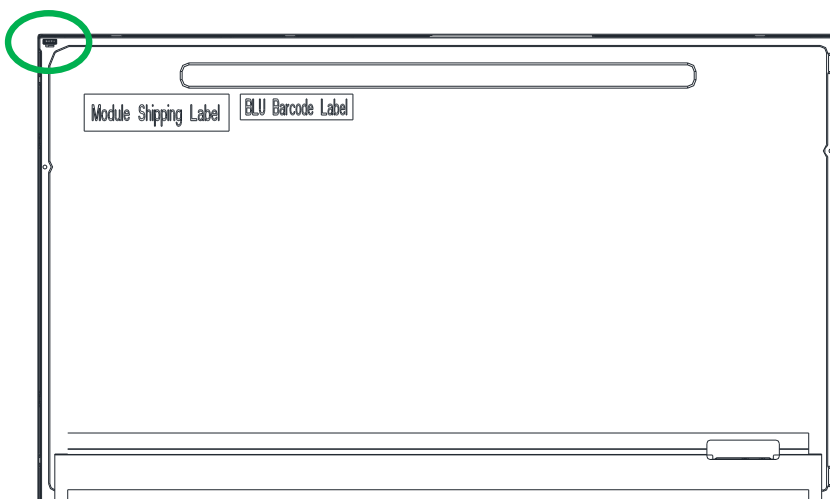
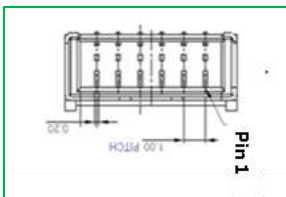
Pin#	Signal Name	Pin#	Signal Name
1	RxOIN0-	2	RxOIN0+
3	RxOIN1-	4	RxOIN1+
5	RxOIN2-	6	RxOIN2+
7	GND	8	RxOCLKIN-
9	RxOCLKIN+	10	RxOIN3-
11	RxOIN3+	12	RxEIN0-
13	RxEIN0+	14	GND
15	RxEIN1-	16	RxEIN1+
17	GND	18	RxEIN2-
19	RxEIN2+	20	RxECLKIN-
21	RxECLKIN+	22	RxEIN3-
23	RxEIN3+	24	GND
25	Aging	26	SCL For PVCOM
27	SDA For PVCOM	28	VDD
29	VDD	30	VDD

7.2 LED Backlight Unit: LED Connector

Connector Name / Designation	LED Connector
Manufacturer	CviLux or Compatible
Connector Model Number	CI1406M1HRN-NH1 or Compatible
Mating Connector Model Number	H112K-P06N-00B (Non-Locking type) or Compatible H112K-P06N-13B (Locking type) or Compatible

7.3 LED Connector Pin Assignment

Pin#	Symbol	Description
1	Ch1	LED Current Feedback Terminal (Channel 1)
2	Ch2	LED Current Feedback Terminal (Channel 2)
3	V _{SLED}	LED Power Supply Voltage Input Terminal
4	V _{SLED}	LED Power Supply Voltage Input Terminal
5	Ch3	LED Current Feedback Terminal (Channel 3)
6	Ch4	LED Current Feedback Terminal (Channel 4)



8.0 Reliability Test

Environment test conditions are listed as following table.

Items	Required Condition	Note
Temperature Humidity Bias (THB)	Ta= 50°C, 80%RH, 300hours	
High Temperature Operation (HTO)	Ta= 60°C, 300hours	
Low Temperature Operation (LTO)	Ta= -10°C, 300hours	
High Temperature Storage (HTS)	Ta= 60°C, 300hours	
Low Temperature Storage (LTS)	Ta= -20°C, 300hours	
Vibration Test (Non-operation)	Acceleration: 1.5 Grms Wave: Random Frequency: 10 - 200 Hz Sweep: 30 Minutes each Axis (X, Y, Z)	
Shock Test (Non-operation)	Acceleration: 50 G Wave: Half-sine Active Time: 20 ms Direction: ±X, ±Y, ±Z (one time for each Axis)	
Thermal Shock Test (TST)	-20°C /30min, 60°C /30min, 100 cycles	1
On/Off Test	On/10sec, Off/10sec, 30,000 cycles	
ESD (Electro Static Discharge)	Contact Discharge: ± 8KV, 150pF(330Ω) 1sec, 8 points, 25 times/ point.	2
	Air Discharge: ± 15KV, 150pF(330Ω) 1sec 8 points, 25 times/ point.	
Altitude Test	Operation:10,000 ft Non-Operation:30,000 ft	

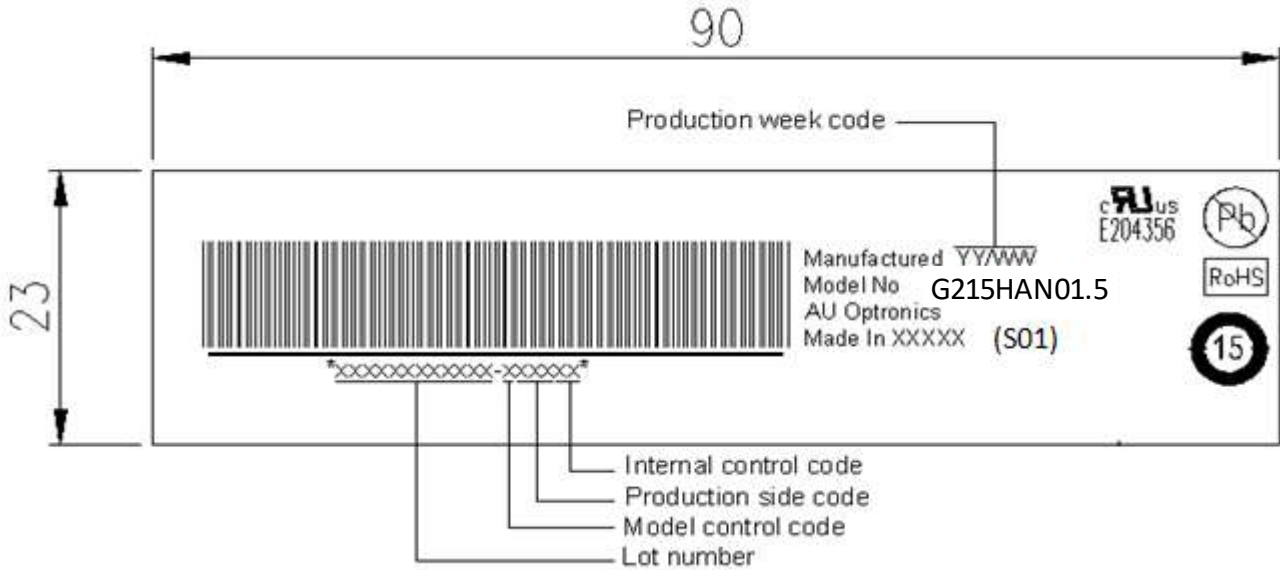
Note 1: The TFT-LCD module will not sustain damage after being subjected to 100 cycles of rapid temperature change. A cycle of rapid temperature change consists of varying the temperature from -20°C to 60°C, and back again. Power is not applied during the test. After temperature cycling, the unit is placed in normal room ambient for at least 4 hours before power on.

Note 2: According to EN61000-4-2 , ESD class B: Some performance degradation allowed. No data lost. recoverable. No hardware failures.

Note 3: Mura shall be ignored after high temperature reliability test.

9.0 Shipping Label & Packaging

9.1 Shipping Label (on the rear side of TFT-LCD display)



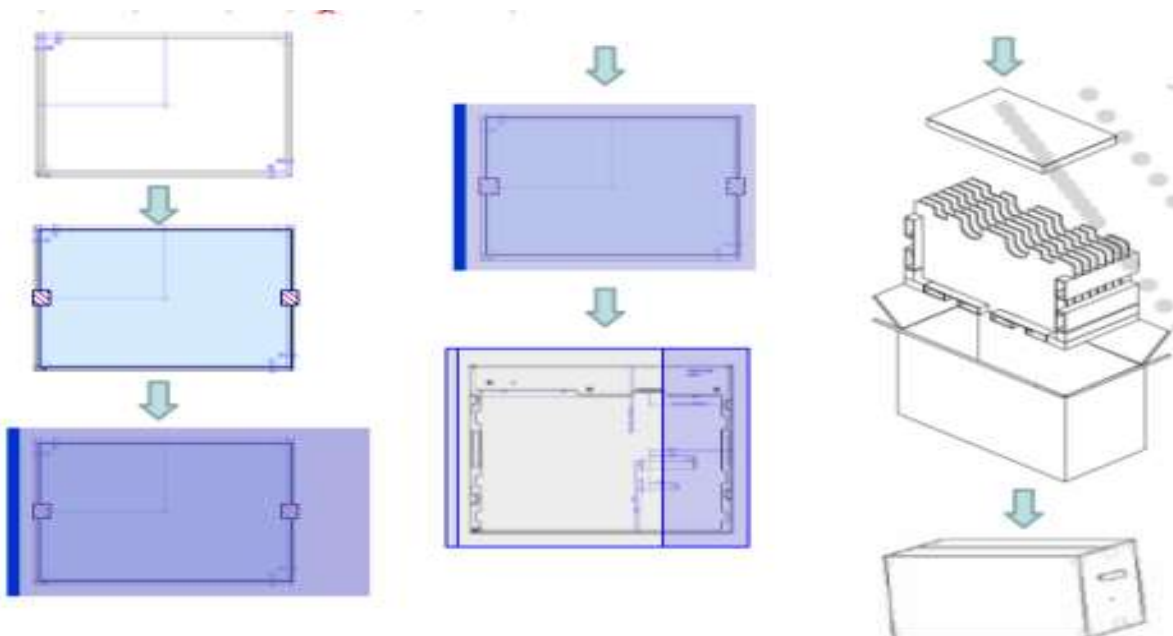
Note 1: For Pb Free products, AUO will add for identification.

Note 2: For RoHS compatible products, AUO will add for identification.

Note 3: For China RoHS compatible products, AUO will add for identification.

Note 4: The Green Mark will be presented only when the green documents have been ready by AUO Internal Green Team.

9.2 Packaging



Max capacity : 8 TFT-LCD module per carton



Max weight: 16.0 kg per carton

Outside dimension of carton: : 601mm*261mm*412mm

Pallet size : 1180mm*1050mm*132mm

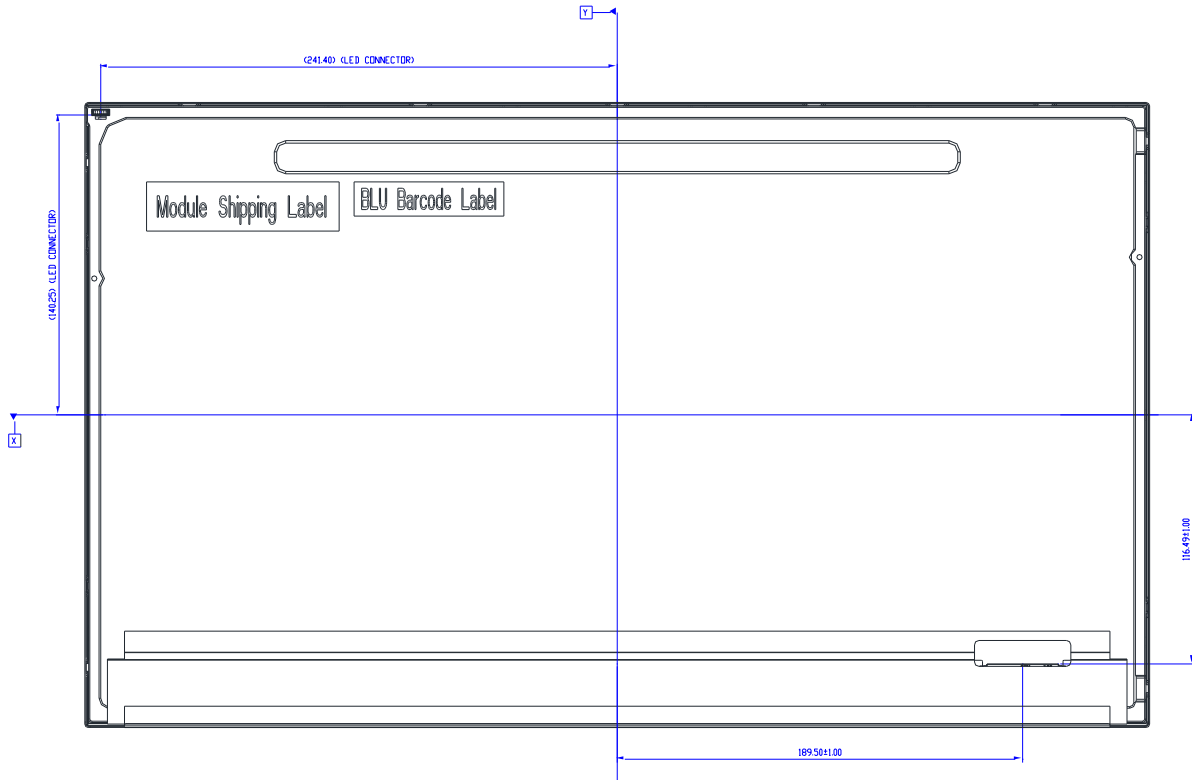
9.3 Palletizing

Box stacked

Module by air : (2 *4) *3 layers , one pallet put 24 boxes , total 192pcs module

Module by sea : Double pallet (2 *4) *3 layers + (2*4) * 1 layer , total 320 pcs module

Module by sea_ HQ : Double pallet (2 *4) *3 layers + (2*4) * 2 layers , total 320 pcs module



11 Safety

11.1 Sharp Edge Requirements

There will be no sharp edges or comers on the display assembly that could cause injury.

11.2 Materials

11.2.1 Toxicity

There will be no carcinogenic materials used anywhere in the display module. If toxic materials are used, they will be reviewed and approved by the responsible AUO toxicologist.

11.2.2 Flammability

All components including electrical components that do not meet the flammability grade UL94 the module will complete the flammability rating exception approval process.

The printed circuit board will be made from material rated 94-V1 or better. The actual UL flammability rating will be printed on the printed circuit board.

11.3 Capacitors

If any polarized capacitors are used in the display assembly, provisions will be made to keep them from being inserted backwards.

11.4 National Test Lab Requirement

The display module will satisfy all requirements for compliance to:

UL 60950-1, Second Edition

U.S.A. Information Technology Equipment