

Doc. Number :

- Tentative Specification
- Preliminary Specification
- Approval Specification

MODEL NO.: G104X1
SUFFIX: L04

Customer: Common	
APPROVED BY	SIGNATURE
Name / Title _____	_____
Note Product Version C4	
Please return 1 copy for your confirmation with your signature and comments.	


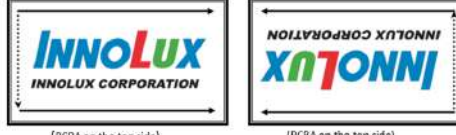
Approved By	Checked By	Prepared By
陳立錚	林秋森	許秣茵

CONTENTS

1. GENERAL DESCRIPTION	5
1.1 OVERVIEW	5
1.2 FEATURES.....	5
1.3 APPLICATION	5
1.4 GENERAL SPECIFICATIONS	5
1.5 MECHANICAL SPECIFICATIONS.....	5
2. ABSOLUTE MAXIMUM RATINGS	6
2.1 ABSOLUTE RATINGS OF ENVIRONMENT.....	6
2.2 ELECTRICAL ABSOLUTE RATINGS	7
2.2.1 TFT LCD MODULE	7
2.2.2 LED CONVERTER.....	7
3. ELECTRICAL CHARACTERISTICS	8
3.1 TFT LCD MODULE	8
3.2 LED CONVERTER	10
4. BLOCK DIAGRAM	11
4.1 TFT LCD MODULE	11
5. INTERFACE PIN ASSIGNMENT	12
5.1 TFT LCD MODULE	12
5.2 BACKLIGHT UNIT (CONVERTER CONNECTOR PIN).....	13
5.3 COLOR DATA INPUT ASSIGNMENT	14
6. INTERFACE TIMING	15
6.1 INPUT SIGNAL TIMING SPECIFICATIONS	15
6.2 POWER ON/OFF SEQUENCE.....	16
6.3 THE INPUT DATA FORMAT	17
6.4 SCANNING DIRECTION	18
7. OPTICAL CHARACTERISTICS	19
7.1 TEST CONDITIONS	19
7.2 OPTICAL SPECIFICATIONS.....	19
8. RELIABILITY TEST CRITERIA.....	22
9. PACKAGING.....	23
9.1 PACKING SPECIFICATIONS	23
9.2 PACKING METHOD	23
9.3 UN-PACKING METHOD	24
10. DEFINITION OF LABELS.....	25
10.1 INNOLUX MODULE LABEL	25
11. PRECAUTIONS	26

11.1 ASSEMBLY AND HANDLING PRECAUTIONS..... 26
11.2 SAFETY PRECAUTIONS 26
12. MECHANICAL CHARACTERISTIC 27

REVISION HISTORY

Version	Date	Page	Description																																																																																																																																															
3.4	Mar 15,2019	P5	1.4 GENERAL SPECIFICATIONS Display Colors :Before: 16.2 M ,After: 16,194,277 / 262,144 Total power consumption (typ): Befor:7.9 After 8.08																																																																																																																																															
		P7	2.2.1 TFT LCD MODULE Before <table border="1"> <thead> <tr> <th rowspan="2">Item</th> <th rowspan="2">Symbol</th> <th colspan="2">Value</th> <th rowspan="2">Unit</th> <th rowspan="2">Note</th> </tr> <tr> <th>Min.</th> <th>Max.</th> </tr> </thead> <tbody> <tr> <td>Power Supply Voltage</td> <td>VCC</td> <td>-0.3</td> <td>7</td> <td>V</td> <td>(1)</td> </tr> </tbody> </table> After <table border="1"> <thead> <tr> <th rowspan="2">Item</th> <th rowspan="2">Symbol</th> <th colspan="2">Value</th> <th rowspan="2">Unit</th> <th rowspan="2">Note</th> </tr> <tr> <th>Min.</th> <th>Max.</th> </tr> </thead> <tbody> <tr> <td>Power Supply Voltage</td> <td>Vcc</td> <td>-0.3</td> <td>6</td> <td>V</td> <td>(1)</td> </tr> <tr> <td>Logic Input Voltage</td> <td>VIN</td> <td>-0.3</td> <td>4</td> <td>V</td> <td></td> </tr> </tbody> </table>	Item	Symbol	Value		Unit	Note	Min.	Max.	Power Supply Voltage	VCC	-0.3	7	V	(1)	Item	Symbol	Value		Unit	Note	Min.	Max.	Power Supply Voltage	Vcc	-0.3	6	V	(1)	Logic Input Voltage	VIN	-0.3	4	V																																																																																																														
Item	Symbol	Value				Unit	Note																																																																																																																																											
		Min.	Max.																																																																																																																																															
Power Supply Voltage	VCC	-0.3	7	V	(1)																																																																																																																																													
Item	Symbol	Value		Unit	Note																																																																																																																																													
		Min.	Max.																																																																																																																																															
Power Supply Voltage	Vcc	-0.3	6	V	(1)																																																																																																																																													
Logic Input Voltage	VIN	-0.3	4	V																																																																																																																																														
		P7	2.2.2 LED CONVERTER Add Enable Voltage Min value Add Backlight Adjust Min value																																																																																																																																															
		P8	3.1 TFT LCD MODULE Before <table border="1"> <thead> <tr> <th rowspan="2">Parameter</th> <th rowspan="2">Symbol</th> <th colspan="3">Value</th> <th rowspan="2">Unit</th> <th rowspan="2">Note</th> </tr> <tr> <th>Min.</th> <th>Typ.</th> <th>Max.</th> </tr> </thead> <tbody> <tr> <td>Power Supply Voltage</td> <td>V_{CC}</td> <td>3.0</td> <td>3.3</td> <td>3.6</td> <td>V</td> <td>(1)</td> </tr> <tr> <td>Rush Current</td> <td>I_{RUSH}</td> <td>-</td> <td>-</td> <td>4.0</td> <td>A</td> <td>(2)</td> </tr> <tr> <td rowspan="2">Power Supply Current</td> <td>White</td> <td>-</td> <td>530</td> <td>570</td> <td>620</td> <td>mA</td> </tr> <tr> <td>Black</td> <td>-</td> <td>390</td> <td>420</td> <td>460</td> <td>mA</td> </tr> <tr> <td>Power Consumption</td> <td>P_L</td> <td>-</td> <td>-</td> <td>2.05</td> <td>W</td> <td></td> </tr> <tr> <td>LVDS differential input voltage</td> <td>V_{ID}</td> <td>100</td> <td>-</td> <td>600</td> <td>mV</td> <td>-</td> </tr> <tr> <td>LVDS common input voltage</td> <td>V_{ICM}</td> <td>0.7</td> <td>-</td> <td>1.8</td> <td>V</td> <td>-</td> </tr> </tbody> </table> After <table border="1"> <thead> <tr> <th rowspan="2">Parameter</th> <th rowspan="2">Symbol</th> <th colspan="3">Value</th> <th rowspan="2">Unit</th> <th rowspan="2">Note</th> </tr> <tr> <th>Min.</th> <th>Typ.</th> <th>Max.</th> </tr> </thead> <tbody> <tr> <td>Power Supply Voltage</td> <td>VCC</td> <td>3.0</td> <td>3.3</td> <td>3.6</td> <td>V</td> <td>(1)</td> </tr> <tr> <td>Power Supply Ripple Voltage</td> <td>VRP</td> <td>-</td> <td>-</td> <td>100</td> <td>mV</td> <td></td> </tr> <tr> <td>Rush Current</td> <td>IRUSH</td> <td>-</td> <td>-</td> <td>4.0</td> <td>A</td> <td>(2)</td> </tr> <tr> <td rowspan="2">Power Supply Current</td> <td>White</td> <td>-</td> <td>630</td> <td>695</td> <td>mA</td> <td rowspan="2">(3)</td> </tr> <tr> <td>Black</td> <td>-</td> <td>420</td> <td>460</td> <td>mA</td> </tr> <tr> <td>Power Consumption</td> <td>PL</td> <td>-</td> <td>2.08</td> <td>2.3</td> <td>W</td> <td></td> </tr> <tr> <td>LVDS differential input voltage</td> <td>Vid</td> <td>100</td> <td>-</td> <td>600</td> <td>mV</td> <td></td> </tr> <tr> <td>LVDS common input voltage</td> <td>Vic</td> <td>1.0</td> <td>1.2</td> <td>1.4</td> <td>V</td> <td></td> </tr> <tr> <td>Logic High Input Voltage</td> <td>VIH</td> <td>2.3</td> <td>-</td> <td>VCC</td> <td>V</td> <td></td> </tr> <tr> <td>Logic Low Input Voltage</td> <td>VIL</td> <td>0</td> <td>-</td> <td>0.7</td> <td>V</td> <td></td> </tr> <tr> <td>LVDS terminating resistor</td> <td>RT</td> <td>-</td> <td>100</td> <td>-</td> <td>ohm</td> <td></td> </tr> </tbody> </table>	Parameter	Symbol	Value			Unit	Note	Min.	Typ.	Max.	Power Supply Voltage	V _{CC}	3.0	3.3	3.6	V	(1)	Rush Current	I _{RUSH}	-	-	4.0	A	(2)	Power Supply Current	White	-	530	570	620	mA	Black	-	390	420	460	mA	Power Consumption	P _L	-	-	2.05	W		LVDS differential input voltage	V _{ID}	100	-	600	mV	-	LVDS common input voltage	V _{ICM}	0.7	-	1.8	V	-	Parameter	Symbol	Value			Unit	Note	Min.	Typ.	Max.	Power Supply Voltage	VCC	3.0	3.3	3.6	V	(1)	Power Supply Ripple Voltage	VRP	-	-	100	mV		Rush Current	IRUSH	-	-	4.0	A	(2)	Power Supply Current	White	-	630	695	mA	(3)	Black	-	420	460	mA	Power Consumption	PL	-	2.08	2.3	W		LVDS differential input voltage	Vid	100	-	600	mV		LVDS common input voltage	Vic	1.0	1.2	1.4	V		Logic High Input Voltage	VIH	2.3	-	VCC	V		Logic Low Input Voltage	VIL	0	-	0.7	V		LVDS terminating resistor	RT	-	100	-	ohm	
Parameter	Symbol	Value				Unit	Note																																																																																																																																											
		Min.	Typ.	Max.																																																																																																																																														
Power Supply Voltage	V _{CC}	3.0	3.3	3.6	V	(1)																																																																																																																																												
Rush Current	I _{RUSH}	-	-	4.0	A	(2)																																																																																																																																												
Power Supply Current	White	-	530	570	620	mA																																																																																																																																												
	Black	-	390	420	460	mA																																																																																																																																												
Power Consumption	P _L	-	-	2.05	W																																																																																																																																													
LVDS differential input voltage	V _{ID}	100	-	600	mV	-																																																																																																																																												
LVDS common input voltage	V _{ICM}	0.7	-	1.8	V	-																																																																																																																																												
Parameter	Symbol	Value			Unit	Note																																																																																																																																												
		Min.	Typ.	Max.																																																																																																																																														
Power Supply Voltage	VCC	3.0	3.3	3.6	V	(1)																																																																																																																																												
Power Supply Ripple Voltage	VRP	-	-	100	mV																																																																																																																																													
Rush Current	IRUSH	-	-	4.0	A	(2)																																																																																																																																												
Power Supply Current	White	-	630	695	mA	(3)																																																																																																																																												
	Black	-	420	460	mA																																																																																																																																													
Power Consumption	PL	-	2.08	2.3	W																																																																																																																																													
LVDS differential input voltage	Vid	100	-	600	mV																																																																																																																																													
LVDS common input voltage	Vic	1.0	1.2	1.4	V																																																																																																																																													
Logic High Input Voltage	VIH	2.3	-	VCC	V																																																																																																																																													
Logic Low Input Voltage	VIL	0	-	0.7	V																																																																																																																																													
LVDS terminating resistor	RT	-	100	-	ohm																																																																																																																																													
		P10	3.2 LED CONVERTER Modify EN Control Level Backlight on min value 2.0=>2.5 , Modify EN Control Level Backlight off max value 0.8=>0.3 Modify PWM Control Level PWM High Level min value 2.0=>2.5 Modify (Note3)Description																																																																																																																																															
		P12	5.1 TFT LCD MODULE CN1 Connector Pin Assignment table																																																																																																																																															
		P13	Add RPF1 pin drawing Add SEL6/8 pin drawing																																																																																																																																															
		P18	6.4 SCANNING DIRECTION Before  <p>RPF1 = Low/floating; normal display (default) RPF1 = high; display with 180degree rotation</p> After  <p>(PCBA on the top side) (PCBA on the top side)</p> <p>RPF1 = Low/floating; normal display (default) RPF1 = high; display with 180 degree rotation</p>																																																																																																																																															

1. GENERAL DESCRIPTION

1.1 OVERVIEW

G104X1- L04 is a 10.4" IAV TFT Liquid Crystal Display module with LED backlight unit and 30-pin-and-1ch LVDS interface. This product supports 1024 x 768 XGA format and can display true 16.2M colors (6-bits colors with FRC). The converter module for LED backlight is built-in.

1.2 FEATURES

- Excellent brightness (500 nits)
- Ultra high contrast ratio (1000:1)
- Fast response time (Ton+Toff average 25 ms)
- XGA (1024 x 768 pixels) resolution
- DE (Data Enable) only mode
- LVDS (Low Voltage Differential Signaling) interface
- Ultra wide viewing angle: 176(H)/ 176(V) (CR>10) Super MVA technology
- 180 degree rotation display option
- LED Light Bar Replaceable
- Wide operation temperature

1.3 APPLICATION

- TFT LCD monitor
- Industrial applications

1.4 GENERAL SPECIFICATIONS

Item	Specification	Unit	Note
Active Area	210.4 (H) x 157.8 (V) (10.4" diagonal)	mm	(1)
Bezel Opening Area	215.4 (H) x 161.8 (V)	mm	
Driver Element	a-si TFT active matrix	-	-
Pixel Number	1024 x R.G.B. x 768	pixel	-
Pixel Pitch (Sub Pixel)	0.0685 (H) x 0.2055 (V)	mm	-
Pixel Arrangement	RGB vertical stripe	-	-
Display Colors	16,194,277 / 262,144	color	-
Display Operation Mode	Transmissive mode / Normally black	-	-
Surface Treatment	Anti Glare	-	-
Total power consumption (typ)	8.08	W	typ

Note (1)Please refer to the attached drawings for more information of front and back outline dimensions.

1.5 MECHANICAL SPECIFICATIONS

Item	Min.	Typ.	Max.	Unit	Note	
Module Size	Horizontal (H)	225	225.5	226	mm	(1)
	Vertical (V)	175.8	176.3	176.8	mm	
	Depth (D)	8.2	8.7	9.2	mm	-
Weight	380	430	480	g	-	

Note (1)Please refer to the attached drawings for more information of front and back outline dimensions.

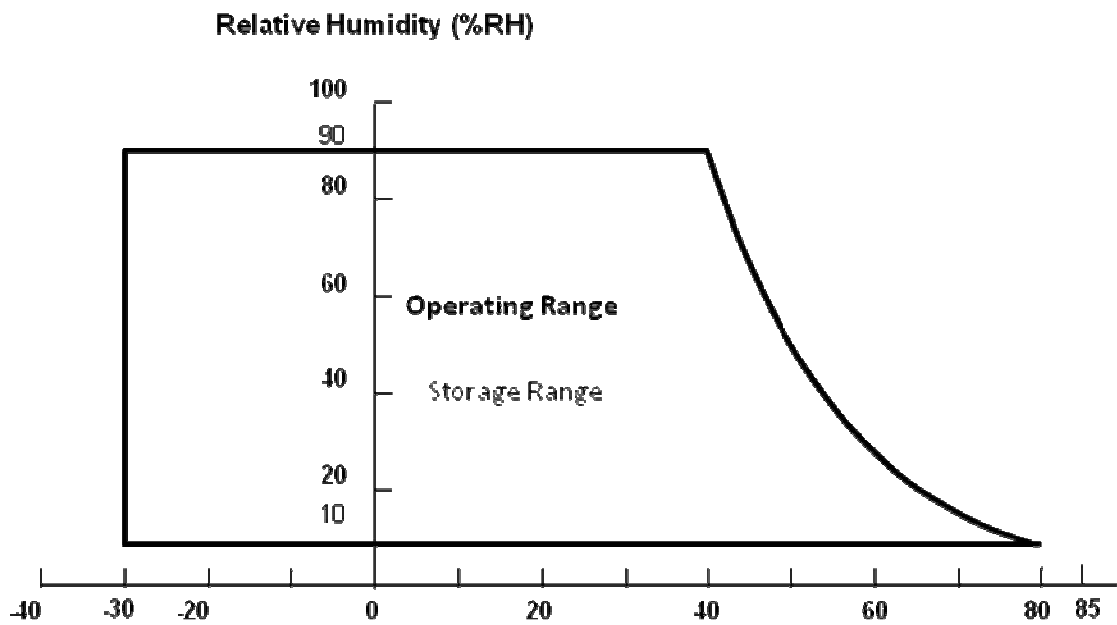
2. ABSOLUTE MAXIMUM RATINGS

2.1 ABSOLUTE RATINGS OF ENVIRONMENT

Item	Symbol	Value		Unit	Note
		Min.	Max.		
Operating Ambient Temperature	T _{OP}	-30	+80	°C	(1)
Storage Temperature	T _{ST}	-30	+80	°C	(1)

Note (1) Temperature and relative humidity range is shown in the figure below.

- (a) 90 %RH Max. (Ta < 40 °C).
- (b) Wet-bulb temperature should be 39 °C Max. (Ta > 40 °C).
- (c) No condensation
- (d) for Module only



2.2 ELECTRICAL ABSOLUTE RATINGS

2.2.1 TFT LCD MODULE

Item	Symbol	Value		Unit	Note
		Min.	Max.		
Power Supply Voltage	V _{CC}	-0.3	6	V	(1)
Logic Input Voltage	V _{IN}	-0.3	4	V	

2.2.2 LED CONVERTER

Item	Symbol	Value		Unit	Note
		Min.	Max.		
Converter Voltage	V _i	-0.3	18	V	(1), (2)
Enable Voltage	EN	-0.3	5.5	V	
Backlight Adjust	ADJ	-0.3	5.5	V	

Note (1) Permanent damage to the device may occur if maximum values are exceeded. Function operation should be restricted to the conditions described under Normal Operating Conditions.

Note (2) Specified values are for LED light bar (Refer to 3.2 for further information).

3. ELECTRICAL CHARACTERISTICS

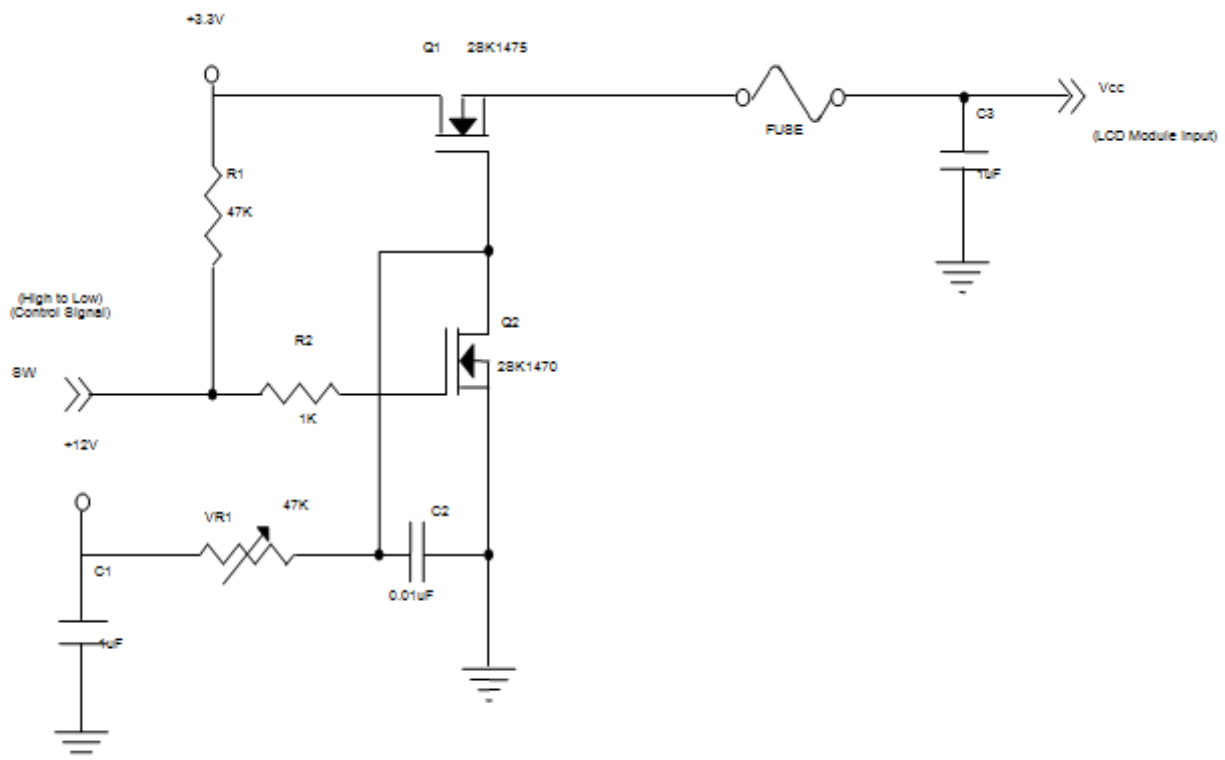
3.1 TFT LCD MODULE

Ta = 25 ± 2 °C

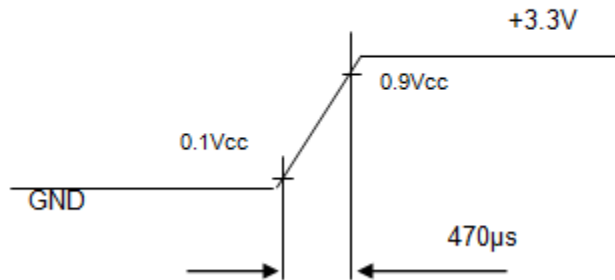
Parameter	Symbol	Value			Unit	Note	
		Min.	Typ.	Max.			
Power Supply Voltage	VCC	3.0	3.3	3.6	V	(1)	
Power Supply Ripple Voltage	VRP	-	-	100	mV		
Rush Current	IRUSH	-	-	4.0	A	(2)	
Power Supply Current	White	ICC	-	630	695	mA	(3)
	Black		-	420	460	mA	
Power Consumption	PL	-	2.08	2.3	W		
LVDS differential input voltage	Vid	100	-	600	mV		
LVDS common input voltage	Vic	1.0	1.2	1,4	V		
Logic High Input Voltage	VIH	2.3	-	VCC	V		
Logic Low Input Voltage	VIL	0	-	0.7	V		
LVDS terminating resistor	RT	-	100	-	ohm		

Note (1)The assembly should be always operated within above ranges.

Note (2)Measurement Conditions:



VCC rising time is 470us



Note (3) The specified power supply current is under the conditions at $V_{cc} = 3.3 \text{ V}$, $T_a = 25 \pm 2 \text{ }^\circ\text{C}$, $f_v = 60 \text{ Hz}$, whereas a power dissipation check pattern below is displayed.

a. White Pattern



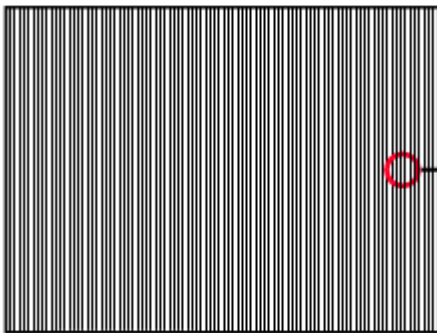
Active Area

b. Black Pattern

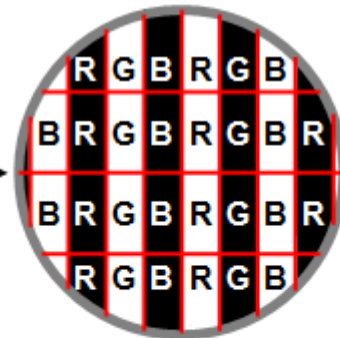


Active Area

c. Vertical Stripe Pattern



Active Area



3.2 LED CONVERTER

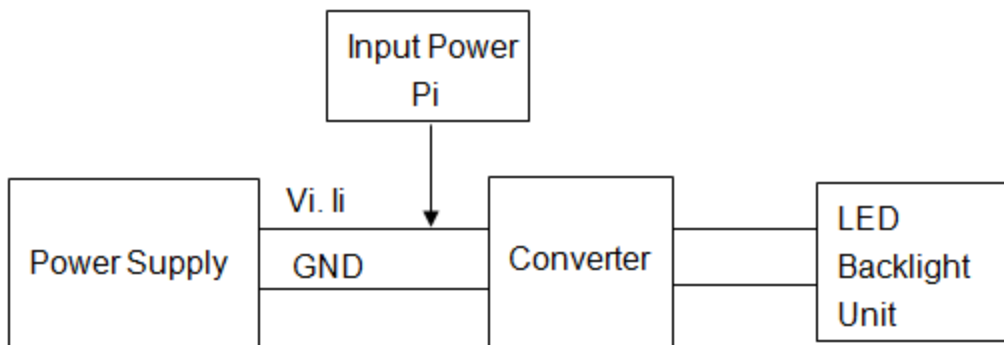
Ta = 25 ± 2 °C

Parameter	Symbol	Value			Unit	Note
		Min.	Typ.	Max.		
Converter Power Supply Voltage	Vi	10.8	12.0	13.2	V	(Duty 100%)
Converter Power Supply Current	Ii	---	0.5	0.6	A	@ Vi = 12V (Duty 100%)
LED Power Consumption	PLED	---	6	7.2		@ Vi = 12V (Duty 100%)
EN Control Level	Backlight on	2.5	---	5	V	
	Backlight off	0	---	0.3	V	
PWM Control Level	PWM High Level	2.5	---	5	V	
	PWM Low Level	0	---	0.15	V	
PWM Control Duty Ratio		2		100	%	(2)
PWM Control Frequency	fPWM	190	200	20k	Hz	(2)
LED Life Time	LL	50,000			Hrs	(3)

Note (1) LED current is measured by utilizing a high frequency current meter as shown below:

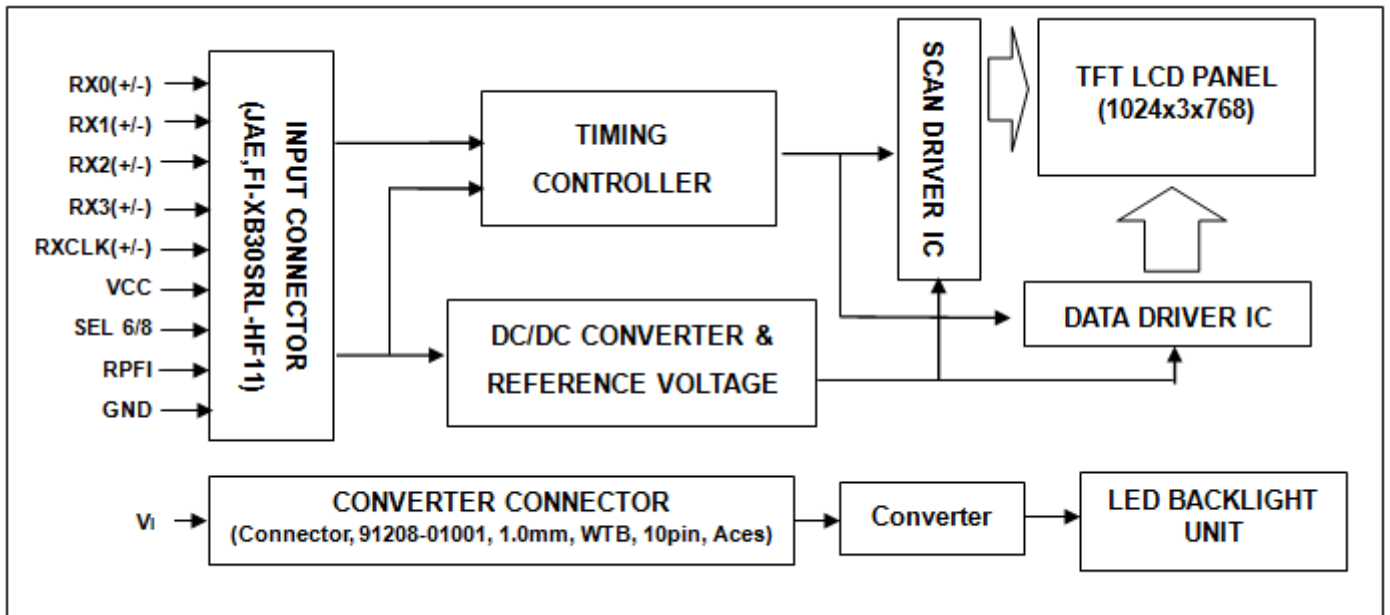
Note (2) At 190 ~1KHz PWM control frequency, duty ratio range is restricted from 2% to 100%. 1K ~20KHz PWM control frequency · minimum duty on-time ≥ 20 us.

Note (3) The lifetime of LED is estimated data and defined as the time when it continues to operate under the conditions at Ta = 25 ±2 °C and Duty=100% until the brightness becomes ≤ 50% of its original value. Operating LED under high temperature environment will reduce lifetime and lead to color shift.



4. BLOCK DIAGRAM

4.1 TFT LCD MODULE



5. INTERFACE PIN ASSIGNMENT

5.1 TFT LCD MODULE

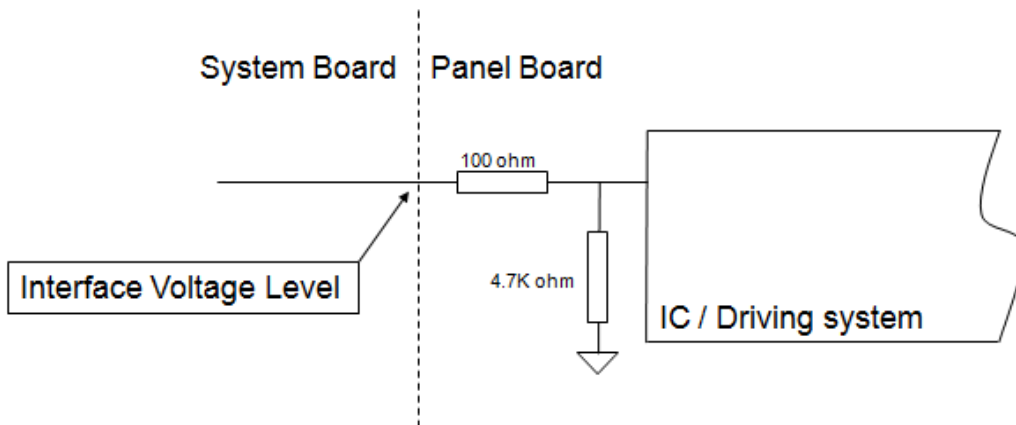
CN1 Connector Pin Assignment

Pin No.	Symbol	Description	Note
1	VCC	Power supply: +3.3V	-
2	VCC	Power supply: +3.3V	-
3	VCC	Power supply: +3.3V	-
4	GND	Ground	-
5	GND	Ground	-
6	GND	Ground	-
7	RPFI	Reverse Panel Function (Display Rotation)	(2)
8	NC	No Connection	(2)
9	NC	No Connection	(2)
10	NC	No Connection	(2)
11	SEL6/8	LVDS 6/8 bit select function control, Low or NC → 8 bit Input Mode High → 6bit Input Mode	(2)
12	GND	Ground	-
13	NC	No Connection	(2)
14	GND	Ground	-
15	RX0-	Negative transmission data of pixel 0	-
16	RX0+	Positive transmission data of pixel 0	-
17	GND	Ground	-
18	RX1-	Negative transmission data of pixel 1	-
19	RX1+	Positive transmission data of pixel 1	-
20	GND	Ground	-
21	RX2-	Negative transmission data of pixel 2	-
22	RX2+	Positive transmission data of pixel 2	-
23	GND	Ground	-
24	RXCLK-	Negative of clock	-
25	RXCLK+	Positive of clock	-
26	GND	Ground	-
27	RX3-	Negative transmission data of pixel 3	-
28	RX3+	Positive transmission data of pixel 3	-
29	GND	Ground	-
30	NC	No Connection	(2)

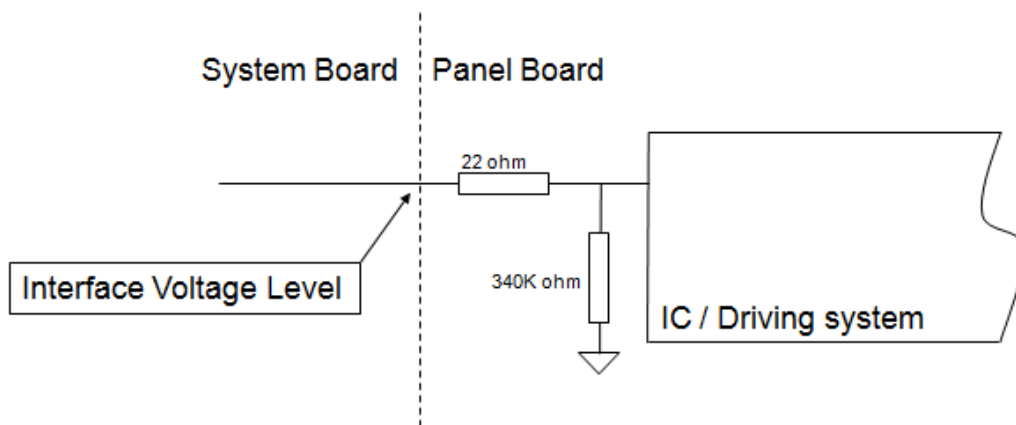
Note (1) Connector Part No.: STM, MSCK2407P30.D or compatible connector

Note (2) "Low" stands for 0V. "High" stands for 3.3V. "NC" stands for "No Connected".

RPF1 pin:



SEL6/8 pin:



5.2 BACKLIGHT UNIT (CONVERTER CONNECTOR PIN)

Pin	Symbol	Description	Remark
1	V_i	Converter input voltage	12V
2	V_i	Converter input voltage	12V
3	V_i	Converter input voltage	12V
4	V_i	Converter input voltage	12V
5	V_{GND}	Converter ground	Ground
6	V_{GND}	Converter ground	Ground
7	V_{GND}	Converter ground	Ground
8	V_{GND}	Converter ground	Ground
9	EN	Enable pin	3.3V
10	ADJ	Backlight Adjust	PWM Dimming

Note (1) Connector Part No.: ACES,91208-01001-H01 or equivalent

Note (2) User's connector Part No.: ACES,91209-01011 or equivalent

5.3 COLOR DATA INPUT ASSIGNMENT

The brightness of each primary color (red, green and blue) is based on the 8-bit gray scale data input for the color. The higher the binary input, the brighter the color. The table below provides the assignment of color versus data input.

Color		Data Signal																							
		Red								Green								Blue							
		R7	R6	R5	R4	R3	R2	R1	R0	G7	G6	G5	G4	G3	G2	G1	G0	B7	B6	B5	B4	B3	B2	B1	B0
Basic Colors	Black	0	0	0	0	0	0	0	0	0	0	0	0	0	0	0	0	0	0	0	0	0	0	0	
	Red	1	1	1	1	1	1	1	1	0	0	0	0	0	0	0	0	0	0	0	0	0	0	0	
	Green	0	0	0	0	0	0	0	0	1	1	1	1	1	1	1	1	0	0	0	0	0	0	0	
	Blue	0	0	0	0	0	0	0	0	0	0	0	0	0	0	0	0	1	1	1	1	1	1	1	
	Cyan	0	0	0	0	0	0	0	0	1	1	1	1	1	1	1	1	1	1	1	1	1	1	1	
	Magenta	1	1	1	1	1	1	1	1	0	0	0	0	0	0	0	0	1	1	1	1	1	1	1	
	Yellow	1	1	1	1	1	1	1	1	1	1	1	1	1	1	1	1	0	0	0	0	0	0	0	
	White	1	1	1	1	1	1	1	1	1	1	1	1	1	1	1	1	1	1	1	1	1	1	1	
Gray Scale Of Red	Red(0) / Dark	0	0	0	0	0	0	0	0	0	0	0	0	0	0	0	0	0	0	0	0	0	0		
	Red(1)	0	0	0	0	0	0	0	1	0	0	0	0	0	0	0	0	0	0	0	0	0	0		
	Red(2)	0	0	0	0	0	0	1	0	0	0	0	0	0	0	0	0	0	0	0	0	0	0		
	⋮	⋮	⋮	⋮	⋮	⋮	⋮	⋮	⋮	⋮	⋮	⋮	⋮	⋮	⋮	⋮	⋮	⋮	⋮	⋮	⋮	⋮			
	⋮	⋮	⋮	⋮	⋮	⋮	⋮	⋮	⋮	⋮	⋮	⋮	⋮	⋮	⋮	⋮	⋮	⋮	⋮	⋮	⋮	⋮			
	Red(253)	1	1	1	1	1	1	0	1	0	0	0	0	0	0	0	0	0	0	0	0	0	0		
	Red(254)	1	1	1	1	1	1	1	0	0	0	0	0	0	0	0	0	0	0	0	0	0	0		
	Red(255)	1	1	1	1	1	1	1	1	0	0	0	0	0	0	0	0	0	0	0	0	0	0		
Gray Scale Of Green	Green(0) / Dark	0	0	0	0	0	0	0	0	0	0	0	0	0	0	0	0	0	0	0	0	0	0		
	Green(1)	0	0	0	0	0	0	0	0	0	0	0	0	0	0	1	0	0	0	0	0	0	0		
	Green(2)	0	0	0	0	0	0	0	0	0	0	0	0	0	1	0	0	0	0	0	0	0	0		
	⋮	⋮	⋮	⋮	⋮	⋮	⋮	⋮	⋮	⋮	⋮	⋮	⋮	⋮	⋮	⋮	⋮	⋮	⋮	⋮	⋮	⋮			
	⋮	⋮	⋮	⋮	⋮	⋮	⋮	⋮	⋮	⋮	⋮	⋮	⋮	⋮	⋮	⋮	⋮	⋮	⋮	⋮	⋮	⋮			
	Green(253)	0	0	0	0	0	0	0	0	1	1	1	1	1	1	0	1	0	0	0	0	0	0		
	Green(254)	0	0	0	0	0	0	0	0	1	1	1	1	1	1	0	0	0	0	0	0	0	0		
	Green(255)	0	0	0	0	0	0	0	0	1	1	1	1	1	1	1	0	0	0	0	0	0	0		
Gray Scale Of Blue	Blue(0) / Dark	0	0	0	0	0	0	0	0	0	0	0	0	0	0	0	0	0	0	0	0	0	0		
	Blue(1)	0	0	0	0	0	0	0	0	0	0	0	0	0	0	0	0	0	0	0	0	0	1		
	Blue(2)	0	0	0	0	0	0	0	0	0	0	0	0	0	0	0	0	0	0	0	0	0	1		
	⋮	⋮	⋮	⋮	⋮	⋮	⋮	⋮	⋮	⋮	⋮	⋮	⋮	⋮	⋮	⋮	⋮	⋮	⋮	⋮	⋮	⋮			
	⋮	⋮	⋮	⋮	⋮	⋮	⋮	⋮	⋮	⋮	⋮	⋮	⋮	⋮	⋮	⋮	⋮	⋮	⋮	⋮	⋮	⋮			
	Blue(253)	0	0	0	0	0	0	0	0	0	0	0	0	0	0	0	1	1	1	1	1	1	0		
	Blue(254)	0	0	0	0	0	0	0	0	0	0	0	0	0	0	0	1	1	1	1	1	1	0		
	Blue(255)	0	0	0	0	0	0	0	0	0	0	0	0	0	0	0	1	1	1	1	1	1	1		

Note (1) 0: Low Level Voltage, 1: High Level Voltage

6. INTERFACE TIMING

6.1 INPUT SIGNAL TIMING SPECIFICATIONS

The input signal timing specifications are shown as the following table and timing diagram.

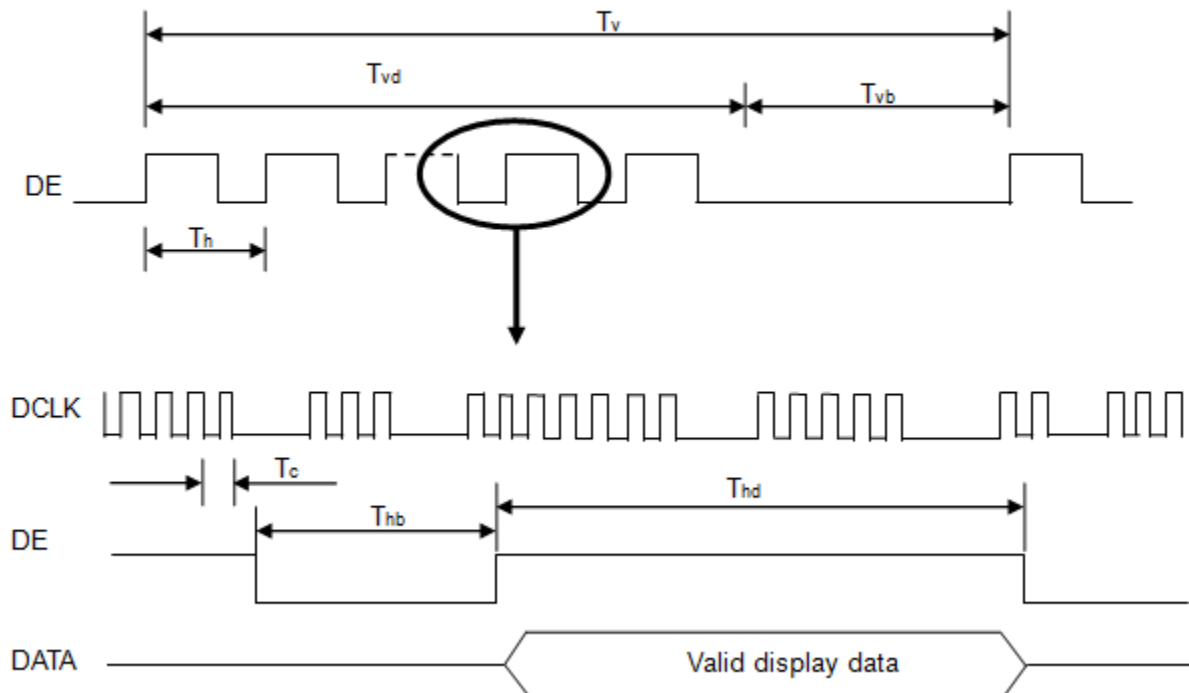
Signal	Item	Symbol	Min.	Typ.	Max.	Unit	Note
DCLK	Frequency	Fc	55	65	75	MHz	
Vertical Active Display Term	Total	Tv	770	806	950	Th	Tv=Tvd+Tvb
	Display	Tvd	768	768	768	Th	-
	Blank	Tvb	2	38	182	Th	-
Horizontal Active Display Term	Total	Th	1104	1344	1800	Tc	Th=Thd+Thb
	Display	Thd	1024	1024	1024	Tc	-
	Blank	Thb	76	320	776	Tc	-

Note (1) Since this assembly is operated in DE only mode, Hsync and Vsync input signals should be set to low logic level. Otherwise, this assembly would operate abnormally.

Note (2) Frame rate is 60Hz

Note (3) The Tv(Tvd+Tvb) must be integer, otherwise, this module would operate abnormally.

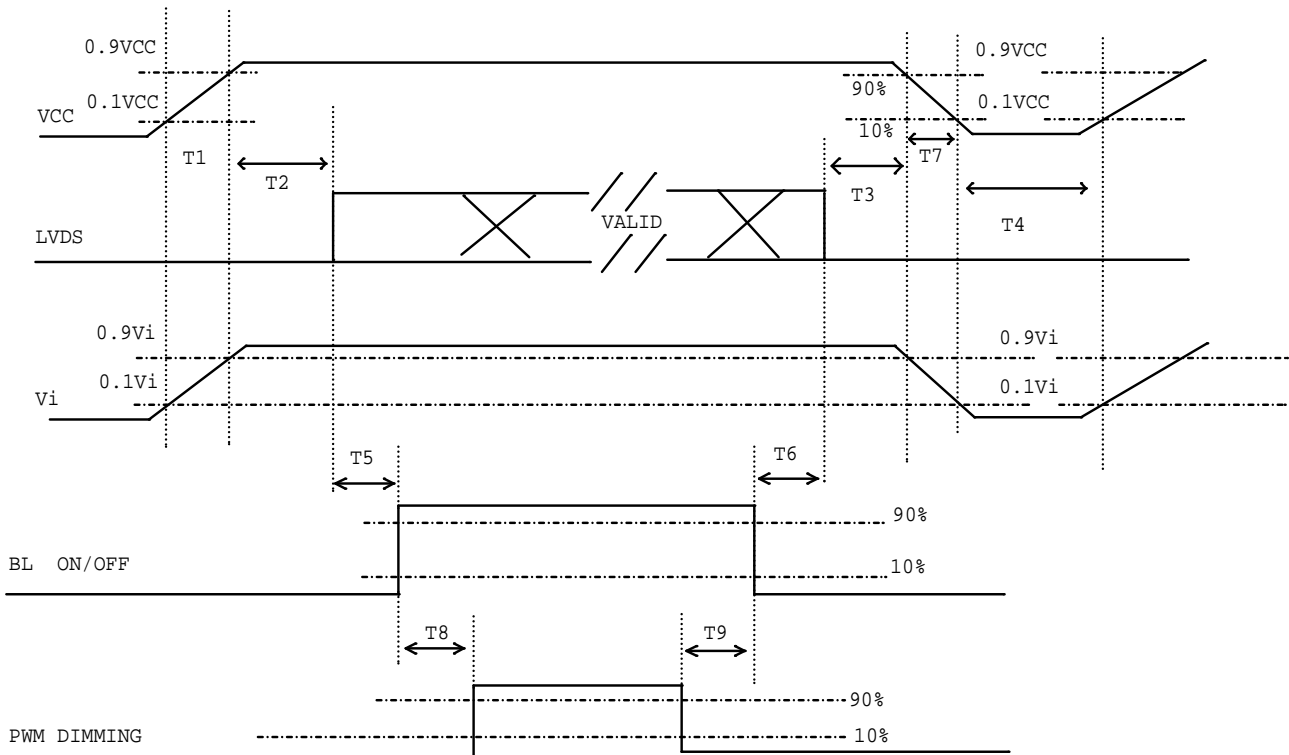
INPUT SIGNAL TIMING DIAGRAM



6.2 POWER ON/OFF SEQUENCE

To prevent a latch-up or DC operation of LCD assembly, the power on/off sequence should be as the diagram below.

Power ON/OFF sequence



Note (1) Please avoid floating state of interface signal at invalid period.

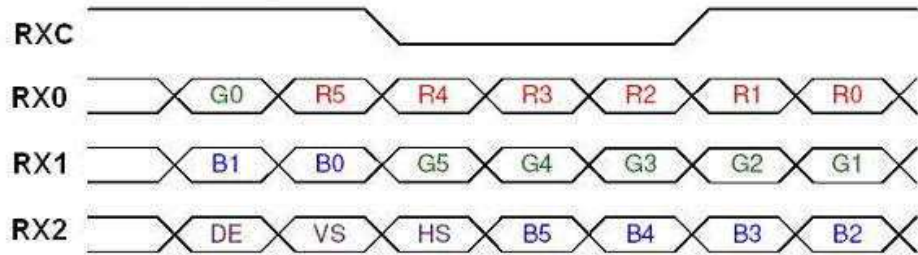
Note (2) When the interface signal is invalid, be sure to pull down the power supply of LCD VCC to 0 V.

Note (3) The Backlight converter power must be turned on after the power supply for the logic and the interface signal is valid. The Backlight converter power must be turned off before the power supply for the logic and the interface signal is invalid.

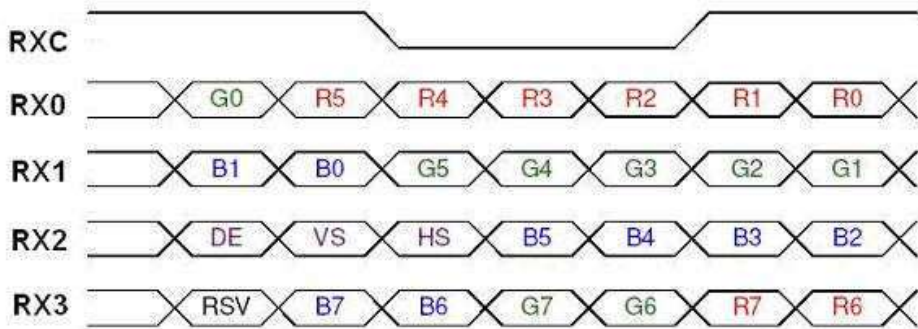
Parameter	Value			Units
	Min	Typ	Max	
T1	0.5	-	10	ms
T2	0	-	50	ms
T3	0	-	50	ms
T4	500	-	-	ms
T5	200	-	-	ms
T6	20	-	-	ms
T7	5	-	300	ms
T8	10	-	-	ms
T9	10	-	-	ms

6.3 THE INPUT DATA FORMAT

SEL 6/8 = "High" for 6 bits LVDS Input



SEL 6/8 = "Low" or "NC" for 8 bits LVDS Input



Note (1) R/G/B data 7: MSB, R/G/B data 0: LSB

Note (2) Please follow PSWG

Signal Name	Description	Remark
R7	Red Data 7 (MSB)	Red-pixel Data
R6	Red Data 6	Each red pixel's brightness data consists of these 8bits pixel data.
R5	Red Data 5	
R4	Red Data 4	
R3	Red Data 3	
R2	Red Data 2	
R1	Red Data 1	
R0	Red Data 0 (LSB)	
G7	Green Data 7 (MSB)	
G6	Green Data 6	Each red pixel's brightness data consists of these 8bits pixel data.
G5	Green Data 5	
G4	Green Data 4	
G3	Green Data 3	
G2	Green Data 2	
G1	Green Data 1	
G0	Green Data 0 (LSB)	
B7	Blue Data 7 (MSB)	
B6	Blue Data 6	Each red pixel's brightness data consists of these 8bits pixel data.
B5	Blue Data 5	
B4	Blue Data 4	
B3	Blue Data 3	
B2	Blue Data 2	
B1	Blue Data 1	
B0	Blue Data 0 (LSB)	
RXCLKIN+	LVDS Clock Input	
RXCLKIN-		
DE	Display Sync	
VS	Vertical Sync	
HS	Horizontal Sync	

Note (3) Output signals from any system shall be low or Hi-Z state when VCC is off

6.4 SCANNING DIRECTION

The following figures show the image see from the front view. The arrow indicates the direction of scan.



(PCBA on the top side)

RPI = Low/floating; normal display (default)



(PCBA on the top side)

RPI = high: display with 180 degree rotation

7. OPTICAL CHARACTERISTICS

7.1 TEST CONDITIONS

Item	Value	Unit
Ambient Temperature (Ta)	25±2	°C
Ambient Humidity (Ha)	50±10	%RH
Supply Voltage	According to typical value in "ELECTRICAL CHARACTERISTICS"	
Input Signal		
LED Light Bar Input Current Per Input Pin		

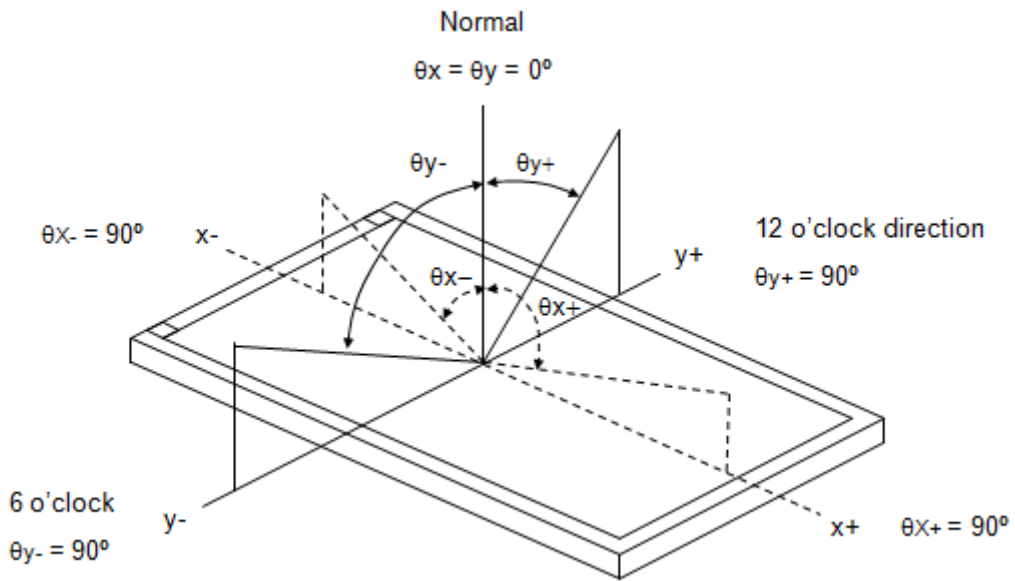
7.2 OPTICAL SPECIFICATIONS

The relative measurement methods of optical characteristics are shown in 7.2 and all items are measured at the center point of screen except white variation. The following items should be measured under the test conditions described in 7.1 and stable environment shown in Note (5).

Item		Symbol	Condition	Min.	Typ.	Max.	Unit	Note
Contrast Ratio		CR	$\theta_x=0^\circ, \theta_y=0^\circ$ Viewing angle at normal direction	700	1000	-	-	(2)
Response Time		T_R		-	14	19	ms	(3)
		T_F		-	11	16	ms	
Center Luminance of White		L_C		400	500	-	cd/m ²	(4)
White Variation		δW		-	1.25	1.4	-	(6)
Color Chromaticity	Red	R_x		$\theta_x=0^\circ, \theta_y=0^\circ$ Viewing angle at normal direction	Typ. -0.05	0.617	Typ. +0.05	-
		R_y	0.357			-		
	Green	G_x	0.336			-		
		G_y	0.567			-		
	Blue	B_x	0.147			-		
		B_y	0.087			-		
	White	W_x	0.313			-		
		W_y	0.329			-		
Viewing Angle	Horizontal	θ_{x+}	CR≥10	80	88	-	Deg.	(1)
		θ_{x-}		80	88	-		
	Vertical	θ_{y+}		80	88	-		
		θ_{y-}		80	88	-		

Note (1) Definition of Viewing Angle (θ_x, θ_y):

Viewing angles are measured by BM5A



Note (2) Definition of Contrast Ratio (CR):

The contrast ratio can be calculated by the following expression.

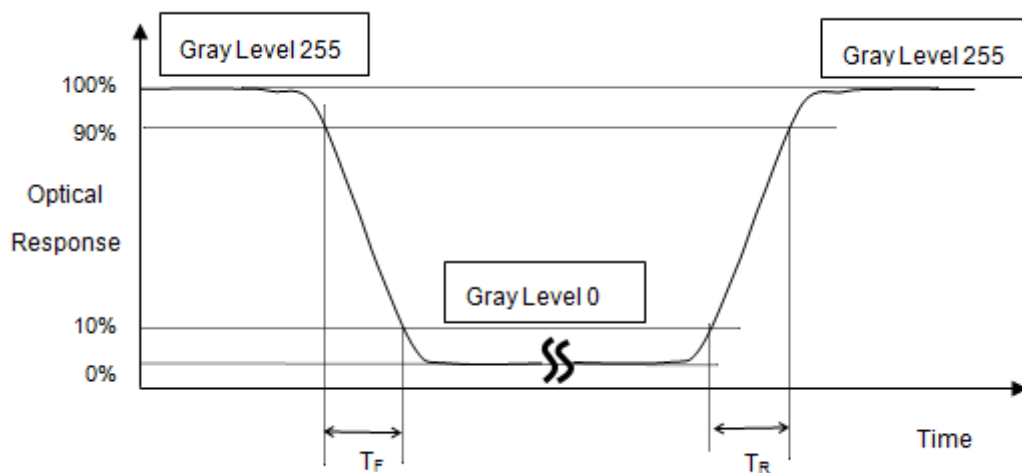
$$\text{Contrast Ratio (CR)} = L_{255} / L_0$$

L255: Luminance of gray level 255

L 0: Luminance of gray level 0

CR = CR (X), where CR (X) is corresponding to the Contrast Ratio of the point X at the figure in Note (6).

Note (3) Definition of Response Time (T_R, T_F):



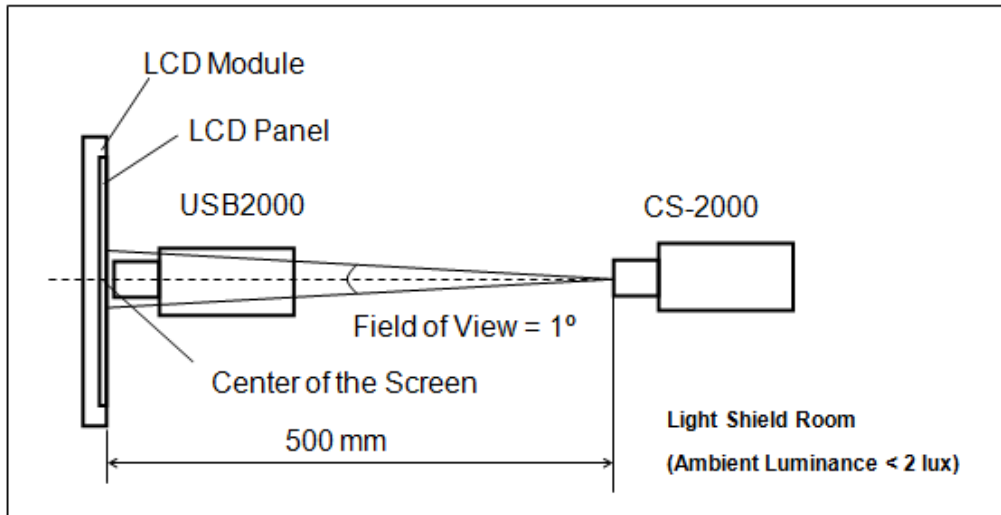
Note (4) Definition of Luminance of White (L_C):

Measure the luminance of gray level 255 at center point and 5 points

$L_C = L(5)$, where $L(X)$ is corresponding to the luminance of the point X at the figure in Note (6).

Note (5) Measurement Setup:

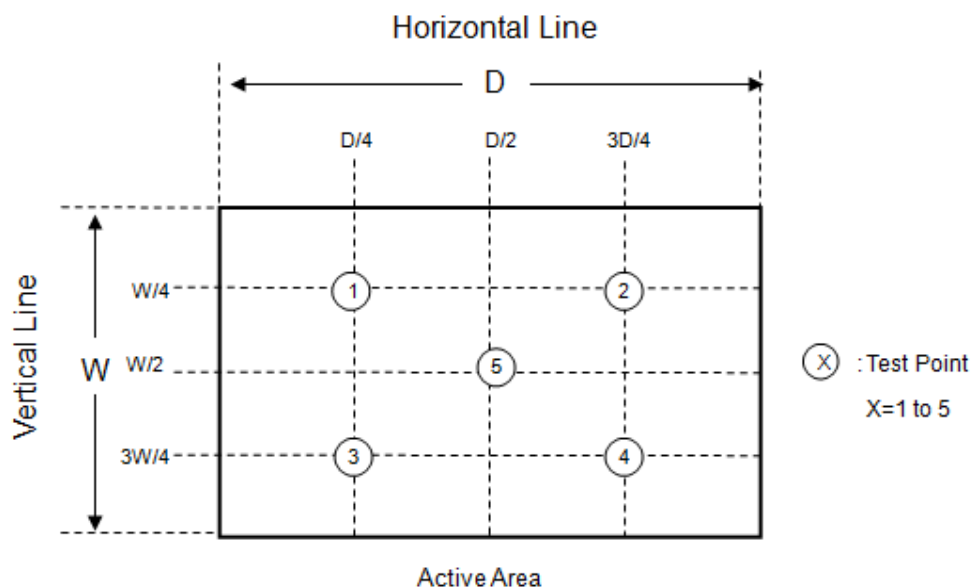
The LCD assembly should be stabilized at given temperature for 30 minutes to avoid abrupt temperature change during measuring. In order to stabilize the luminance, the measurement should be executed after lighting Backlight for 30 minutes in a windless room.



Note (6) Definition of White Variation (δW):

Measure the luminance of gray level 63 (255) at 5 points

$$\delta W = \frac{\text{Maximum } [L(1), L(2), L(3), L(4), L(5)]}{\text{Minimum } [L(1), L(2), L(3), L(4), L(5)]}$$



8. RELIABILITY TEST CRITERIA

Test Item	Test Condition	Note
High Temperature Storage Test	80°C, 240 hours	(1)
Low Temperature Storage Test	-30°C, 240 hours	(2)
Thermal Shock Storage Test	-20°C, 0.5hour \longleftrightarrow 70°C, 0.5hour; 100cycles, 1hour/cycle	(4)
High Temperature Operation Test	80°C, 240 hours	(5)
Low Temperature Operation Test	-30°C, 240 hours	(5)
High Temperature & High Humidity Operation Test	60°C, 90%RH, 240hours	(1) (2) (4) (6)
Shock (Non-Operating)	50G, 11ms, half sine wave, 1 time for $\pm X$, $\pm Y$, $\pm Z$.	(3)(4)
Vibration (Non-Operating)	1.5G, 10 ~ 300 Hz, 10min/cycle, 3 cycles each X, Y, Z	(3)(4)

Note (1) There should be no condensation on the surface of panel during test.

Note (2) Temperature of panel display surface area should be 87 °C Max.

Note (3) At testing Vibration and Shock, the fixture in holding the module has to be hard and rigid enough so that the module would not be twisted or bent by the fixture.

Note (4) In the standard conditions, there is no function failure issue occurred. All the cosmetic specification is judged before reliability test.

Note (5) Before cosmetic and function test, the product must have enough recovery time, at least 2 hours at room temperature.

Note (6) Before cosmetic and function test, the product must have enough recovery time, at least 24 hours at room temperature.

9. PACKAGING

9.1 PACKING SPECIFICATIONS

- (1) 18pcs LCD modules / 1 Box
- (2) Box dimensions: 465 (L) X 362 (W) X 314 (H) mm
- (3) Weight: approximately 11.23 Kg (18 modules per box)

9.2 PACKING METHOD

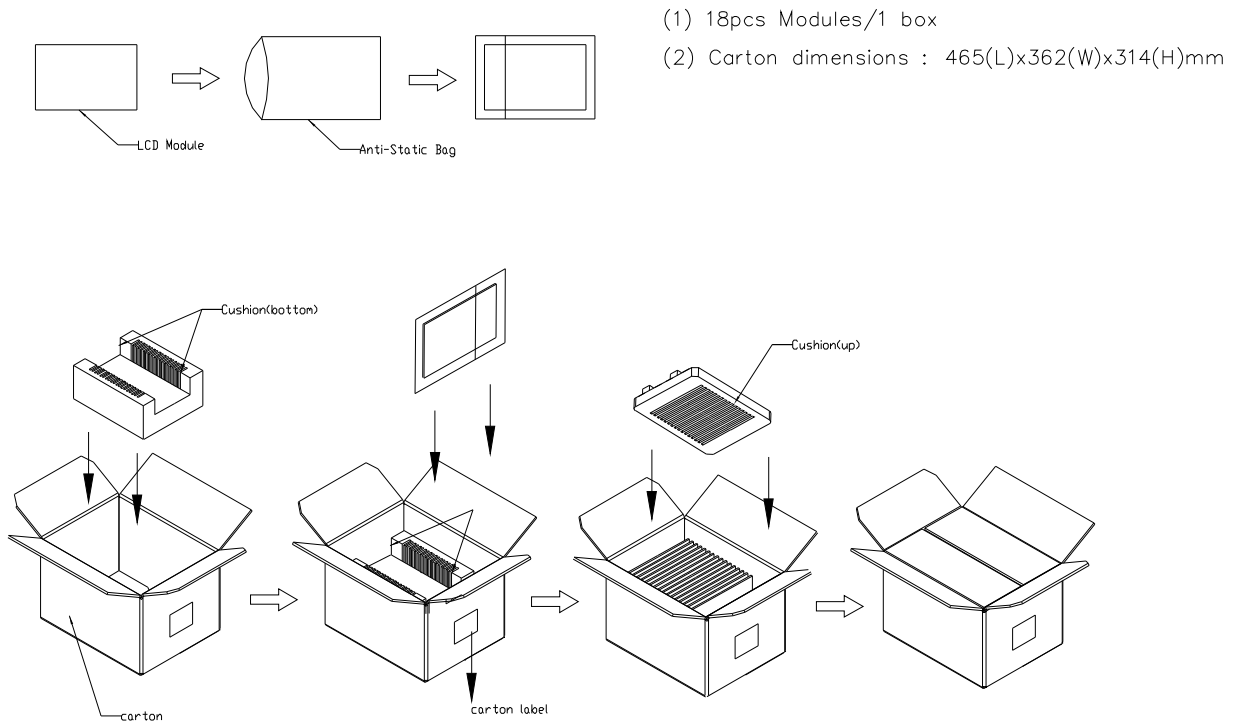


Figure.9-1 packing method

Sea / Land Transportation (40ft Container)

Air Transportation

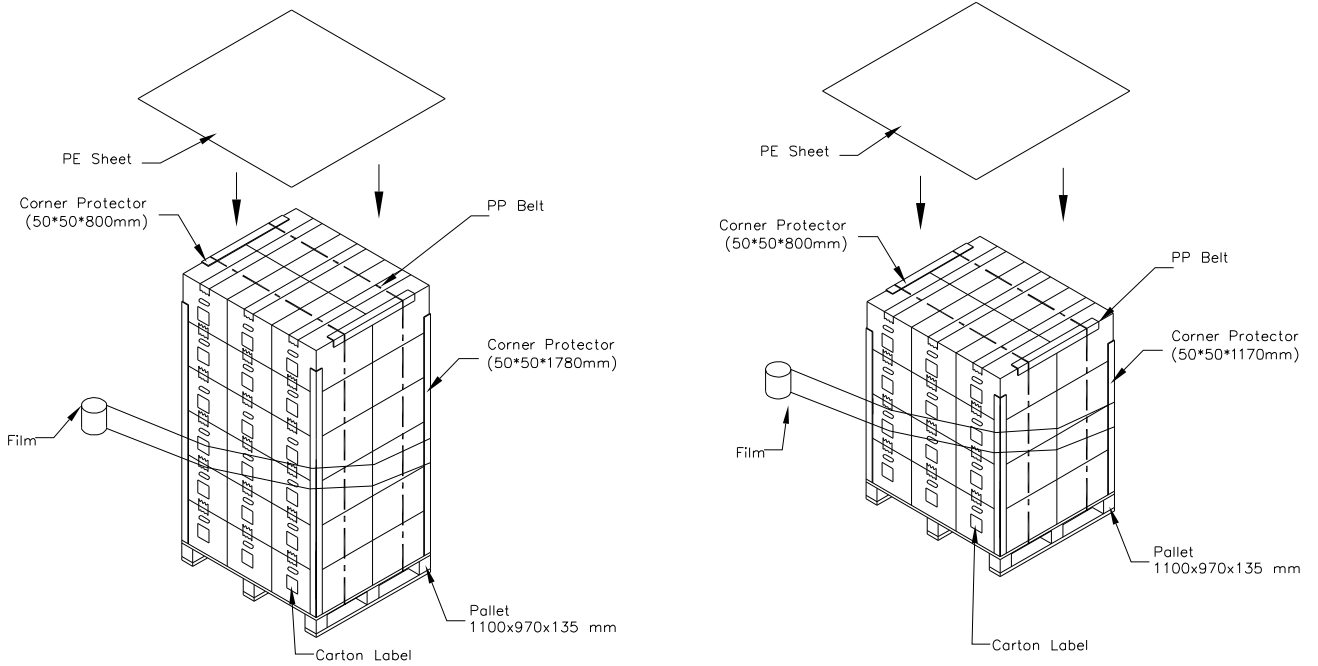
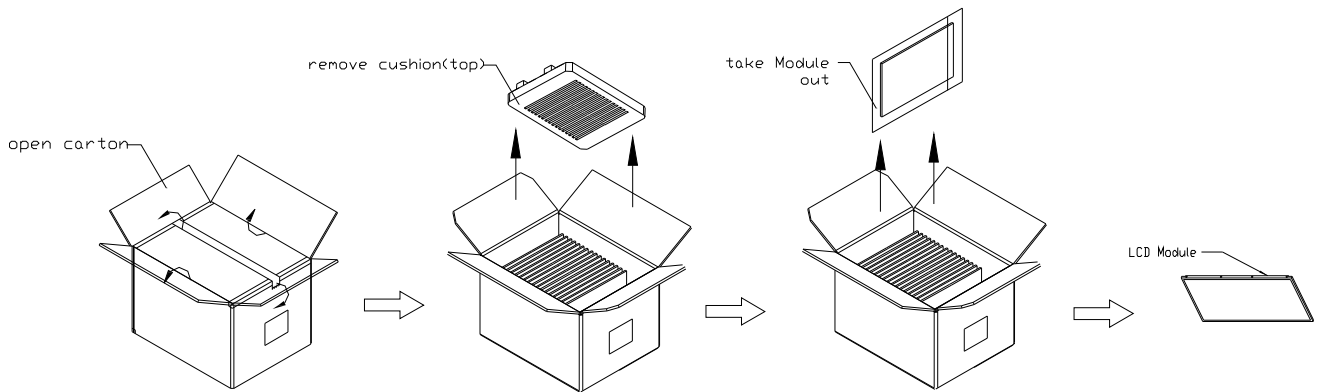


Figure. 9-2 Packing method

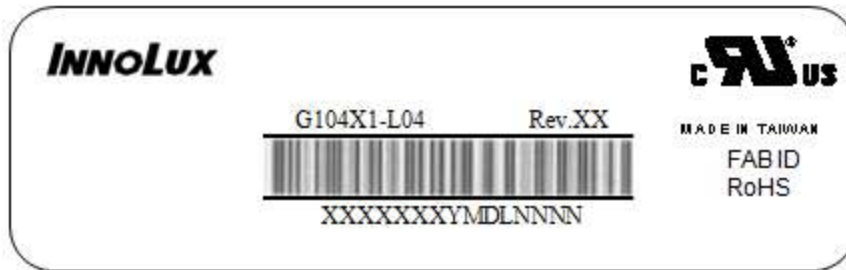
9.3 UN-PACKING METHOD



10. DEFINITION OF LABELS

10.1 INNOLUX MODULE LABEL

The barcode nameplate is pasted on each module as illustration, and its definitions are as following explanation.



(a) Model Name: G104X1-L04

(b) Revision: Rev. XX, for example: A0, A1... B1, B2... or C1, C2...etc.

(c) Serial ID: XX-XX-X-XX-YMD-L-NNNN

Code	Meaning	Description
XX	INX internal use	-
XX	Revision	Cover all the change
X	INX internal use	-
XX	INX internal use	-
YMD	Year, month, day	Year: 0~9,...2010=0, 2011=1, 2012=2...,2013=3.. Month: 1~12=1, 2, 3, ~, 9, A, B, C Day: 1~31=1, 2, 3, ~, 9, A, B, C, ~, W, X, Y, exclude I, O, and U.
L	Product line #	Line 1=1, Line 2=2, Line 3=3, ...
NNNN	Serial number	Manufacturing sequence of product

(d) FAB ID(UL Factory ID):

Region	Factory ID
TWINX	GEMN
NBINX	LEOO
NBINX	VIRO
NBINX	COCKN
NHINX	CAPG

11. PRECAUTIONS**11.1 ASSEMBLY AND HANDLING PRECAUTIONS**

- (1) Do not apply rough force such as bending or twisting to the module during assembly.
- (2) It is recommended to assemble or to install a module into the user's system in clean working areas.
The dust and oil may cause electrical short or worsen the polarizer.
- (3) Do not apply pressure or impulse to the module to prevent the damage of LCD panel and Backlight.
- (4) Always follow the correct power-on sequence when the LCD module is turned on. This can prevent the damage and latch-up of the CMOS LSI chips.
- (5) Do not plug in or pull out the I/F connector while the module is in operation.
- (6) Do not disassemble the module.
- (7) Use a soft dry cloth without chemicals for cleaning, because the surface of polarizer is very soft and easily scratched.
- (8) Moisture can easily penetrate into LCD module and may cause the damage during operation.
- (9) High temperature or humidity may deteriorate the performance of LCD module. Please store LCD modules in the specified storage conditions.
- (10) When ambient temperature is lower than 10°C, the display quality might be reduced. For example, the response time will become slow, and the starting voltage of backlight will be higher than that of room temperature.
- (11) Do not keep same pattern in a long period of time. It may cause image sticking on LCD.

11.2 SAFETY PRECAUTIONS

- (1) The startup voltage of a Backlight is approximately 1000 Volts. It may cause an electrical shock while assembling with the inverter. Do not disassemble the module or insert anything into the Backlight unit.
- (2) If the liquid crystal material leaks from the panel, it should be kept away from the eyes or mouth. In case of contact with hands, skin or clothes, it has to be washed away thoroughly with soap.
- (3) After the module's end of life, it is not harmful in case of normal operation and storage.

12. MECHANICAL CHARACTERISTIC

