

Document Title	HSD156JUW2-A12 Product Information	Page No.	1/24
Document No.		Revision	2.0

TO :

Date : Oct.,29, 2024

HannStar Product Specification

Formal

15.6" Color TFT-LCD Module

Model: **HSD156JUW2- A12**

Note: (1) The information contained herein is tentative and may be changed without prior notices

(2) Please contact HannStar Display Corp. before designing your product based on this module specification.

(3) The information contained herein is presented merely to indicate the characteristics and performance of our products. No responsibility is assumed by HannStar for any intellectual property claims or other problems that may result from application based on the module described herein.

(4) The mark “ ** ” of Model means sub-model code.

Document Title	HSD156JUW2-A12 Product Information	Page No.	2/24
Document No.		Revision	2.0

Record of Revisions

Rev.	Date	Sub-Model	Description of change
1.0	Jul., 16, 2019	-A12	Formal Specification was first version
2.0	Oct., 29, 2024	-A12	Modify 10.2 Packing assembly drawings (Page.22) Modify 8.0 Packing outline dimension (Page.20)

Document Title	HSD156JUW2-A12 Product Information	Page No.	3/24
Document No.		Revision	2.0

Contents

1.0 GENERAL DESCRIPTION	4
2.0 ABSOLUTE MAXIMUM RATINGS	5
3.0 OPTICAL CHARACTERISTICS.....	6
4.0 BLOCK DIAGRAM	10
5.0 INTERFACE PIN CONNECTION.....	12
6.0 ELECTRICAL CHARACTERISTICS.....	14
7.0 Reliability test items	19
8.0 OUTLINE DIMENSION.....	20
9.0 LOT MARK	21
10.0 PACKAGE SPECIFICATION	22
11.0 GENERAL PRECAUTION	23

Document Title	HSD156JUW2-A12 Product Information	Page No.	4/24
Document No.		Revision	2.0

1.0 GENERAL DESCRIPTION

1.1 Introduction HannStar Display model HSD156JUW2-A12 is a color active matrix thin film transistor (TFT) liquid crystal display (LCD) that uses amorphous silicon TFT as a switching device. This model is composed of a TFT LCD panel, a driving circuit and a back light system. This TFT LCD has a 15.6 inch diagonally measured active display area with FHD (1920 horizontal by 1080 vertical pixel) resolution.

1.2 Features

- 15.6 (16:9 diagonal) inch configuration
- Two channel LVDS interface
- 16.7M color by 8 bit R.G.B signal input
- RoHS Compliance
- Halogen Free

1.3 Applications

- TFT LCD Monitor
- Industrial Application
- Amusement
- Vehicle / Automotive

1.4 General information

Item	Specification	Unit
Outline Dimension	363.7 x 215.7 x 12 (Typ.)	mm
Display area	344.16(H) x 193.59(V)	mm
Number of Pixel	1920 RGB (H) x 1080(V)	pixels
Pixel pitch	0.1792(H) x 0.1792(V)	mm
Pixel arrangement	RGB Vertical stripe	
Display mode	Normally Black	
NTSC	70 (Typ.)	%
Surface treatment	Glare w/ HC	
Weight	692g +/-5% (Typ.)	g
Back-light	White LED	
Power Consumption	Logic System (White Pattern)	1.8W (Max.)
	B/L System	14.592W (Max.)

Document Title	HSD156JUW2-A12 Product Information	Page No.	5/24
Document No.		Revision	2.0

1.5 Mechanical Information

Item		Min.	Typ.	Max.	Unit
Module Size	Horizontal (H)	363.2	363.7	364.2	mm
	Vertical (V)	215.2	215.7	216.2	mm
	Depth (D) w/ PCB	11	12	13	mm
Weight		—	692	—	g

2.0 ABSOLUTE MAXIMUM RATINGS

2.1 Electrical Absolute Rating

2.1.1 TFT LCD Module

Item	Symbol	Min.	Max.	Unit	Note
Logic Supply voltage	V_{DD}	-0.3	6.0	V	

2.1.2 Environment Absolute Rating

Item	Symbol	Min.	Max.	Unit	Note
Operating Temperature	T_{opa}	-30	85	°C	
Storage Temperature	T_{stg}	-40	90	°C	

Document Title	HSD156JUW2-A12 Product Information	Page No.	6/24
Document No.		Revision	2.0

3.0 OPTICAL CHARACTERISTICS

3.1 Optical specification

Item		Symbol	Condition	Min.	Typ.	Max.	Unit	Note
Contrast		CR	$\Theta=0$ Normal viewing angle	700	1000	—		(1)(2)
Response time	Rising	T_R		—	—	15	msec	(1)(3)
	Falling	T_F		—	—	15		
White luminance (Center)		Y_L		700	850	—	cd/m ²	(1)(4) ($I_L=380mA$)
Color chromaticity (CIE1931)	White	W_x	$\Theta=0$ Normal viewing angle	0.240	0.280	0.320		(1)(4)
		W_y		0.272	0.312	0.352		
	Red	R_x		0.604	0.644	0.684		
		R_y		0.294	0.334	0.374		
	Green	G_x		0.252	0.292	0.332		
		G_y		0.564	0.604	0.644		
	Blue	B_x		0.104	0.144	0.184		
		B_y		0.054	0.094	0.134		
Viewing angle	Hor.	Θ_L	CR>10	—	85	—		
		Θ_R		—	85	—		
	Ver.	Θ_U		—	85	—		
		Θ_D		—	85	—		
Brightness uniformity		B_{UNI}	$\Theta=0$	—	75	—	%	(5)
Optima View Direction		Free						(6)

3.2 Measuring Condition

- Measuring surrounding : dark room
- LED current I_L : 380mA
- Ambient temperature : 25±2°C
- 15min. warm-up time.

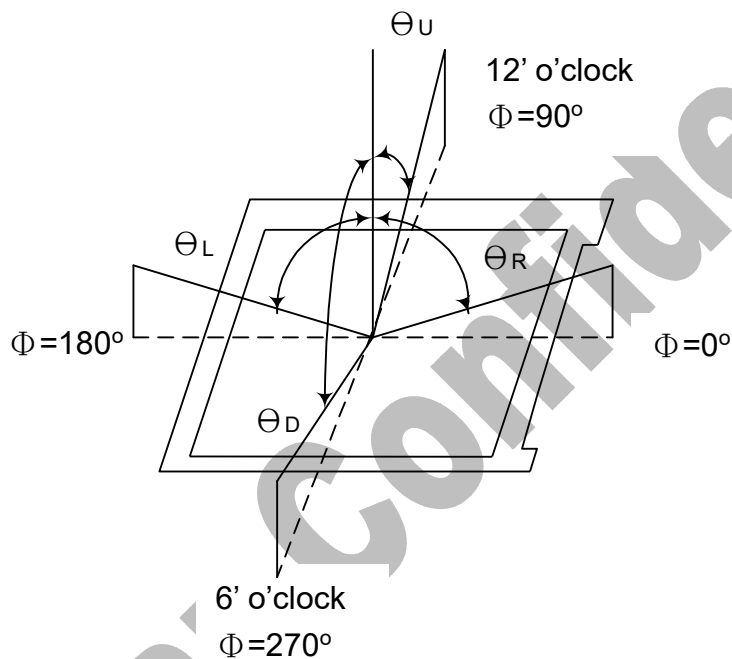
Document Title	HSD156JUW2-A12 Product Information	Page No.	7/24
Document No.		Revision	2.0

3.3 Measuring Equipment

- FPM520 of Westar Display technologies, INC., which utilized SR-3 for Chromaticity and BM-5A for other optical characteristics.

- Measuring spot size : 20 ~ 21 mm

Note (1) Definition of Viewing Angle:

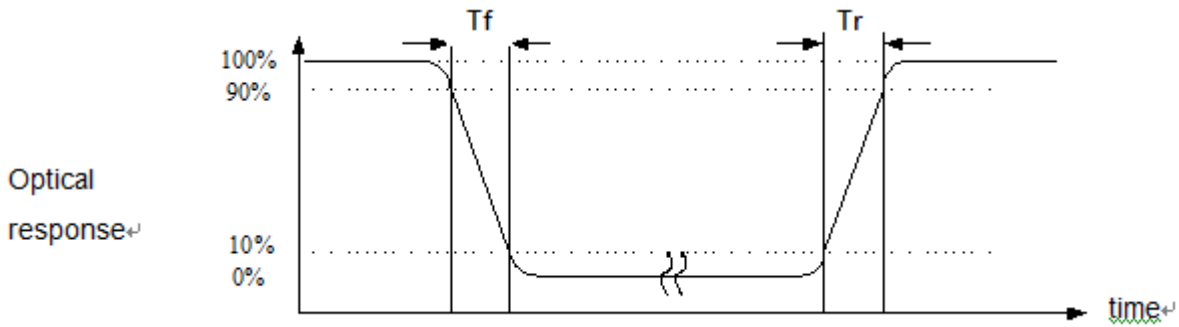


Note (2) Definition of Contrast Ratio (CR) :
measured at the center point of panel

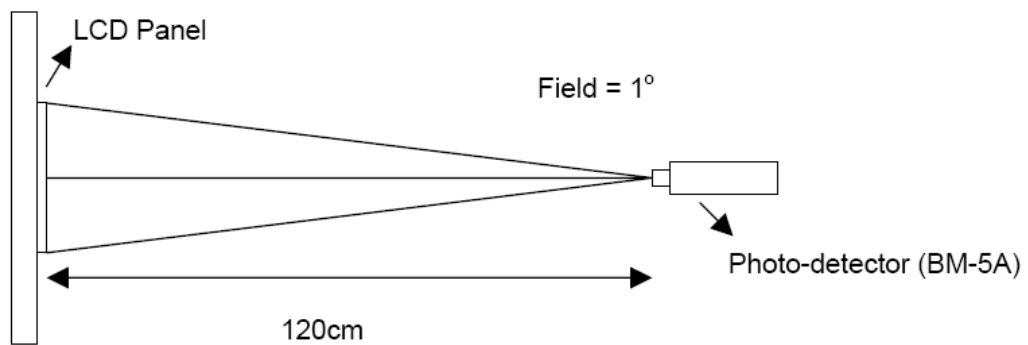
$$CR = \frac{\text{Luminance with all pixels white}}{\text{Luminance with all pixels black}}$$

Document Title	HSD156JUW2-A12 Product Information	Page No.	8/24
Document No.		Revision	2.0

Note (3) Definition of Response Time : Sum of T_R and T_F

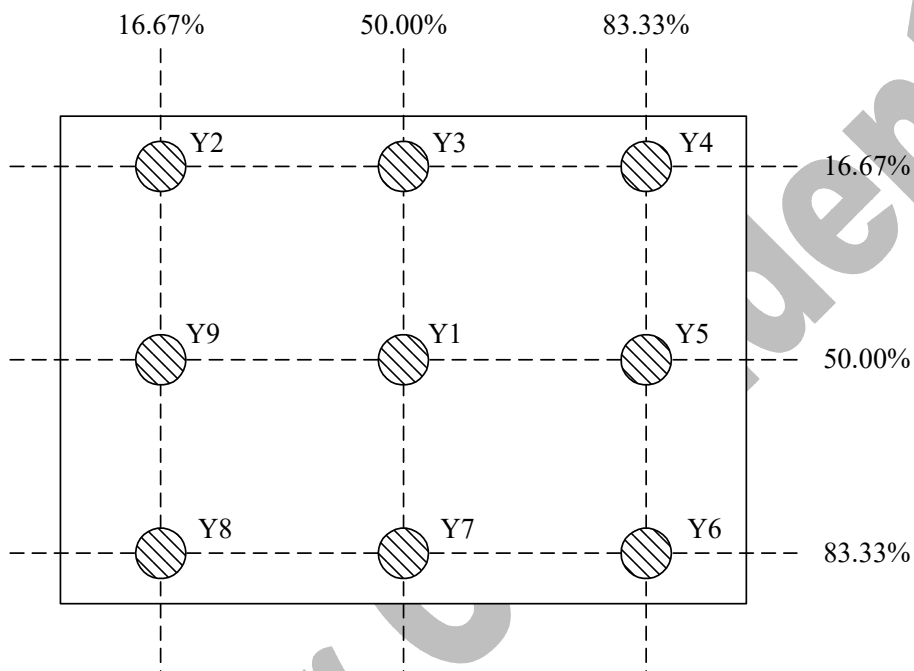


Note (4) Definition of optical measurement setup



Document Title	HSD156JUW2-A12 Product Information	Page No.	9/24
Document No.		Revision	2.0

Note (5) Definition of brightness uniformity

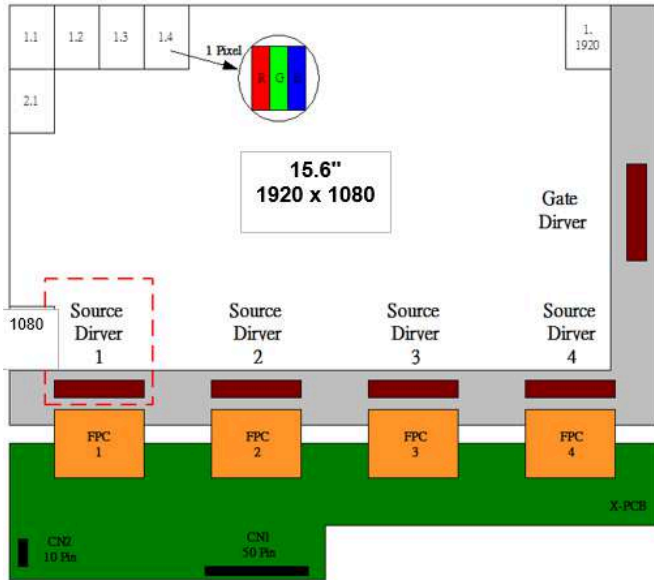


$$\text{Luminance uniformity} = \frac{(\text{Min Luminance of 9 points})}{(\text{Max Luminance of 9 points})} \times 100\%$$

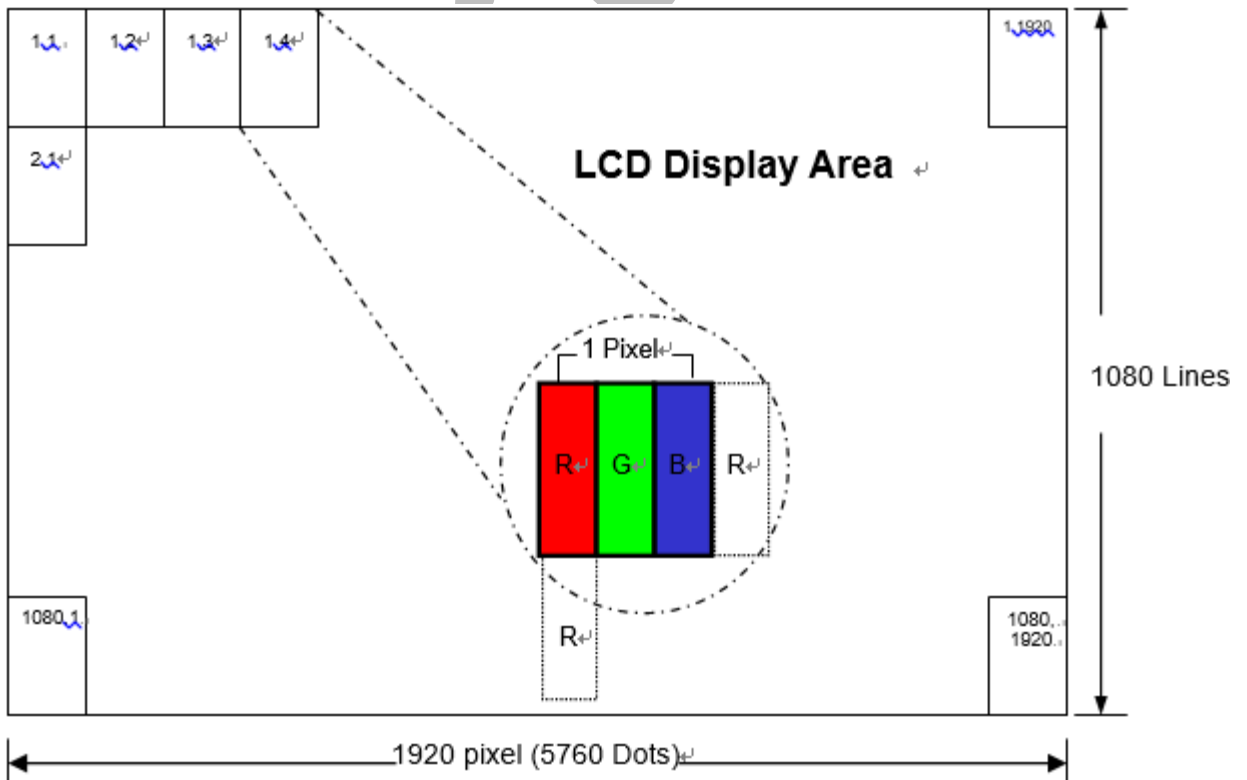
Document Title	HSD156JUW2-A12 Product Information	Page No.	10/24
Document No.		Revision	2.0

4.0 BLOCK DIAGRAM

4.1 TFT LCD Module:



4.2 Pixel Format



Document Title	HSD156JUW2-A12 Product Information	Page No.	11/24
Document No.		Revision	2.0

4.3 Relationship Between Displayed Color and Input

	Display	MSB								LSB								Gray scale Level									
		R7	R6	R5	R4	R3	R2	R1	R0	G7	G6	G5	G4	G3	G2	G1	G0		B7	B6	B5	B4	B3	B2	B1	B0	
Basic color	Black	L	L	L	L	L	L	L	L	L	L	L	L	L	L	L	L	L	L	L	L	L	L	L	L	-	
	Blue	L	L	L	L	L	L	L	L	L	L	L	L	L	L	L	L	H	H	H	H	H	H	H	H	-	
	Green	L	L	L	L	L	L	L	L	H	H	H	H	H	H	H	H	L	L	L	L	L	L	L	L	-	
	Light Blue	L	L	L	L	L	L	L	L	H	H	H	H	H	H	H	H	H	H	H	H	H	H	H	H	-	
	Red	H	H	H	H	H	H	H	H	L	L	L	L	L	L	L	L	L	L	L	L	L	L	L	L	-	
	Purple	H	H	H	H	H	H	H	H	L	L	L	L	L	L	L	L	H	H	H	H	H	H	H	H	-	
	Yellow	H	H	H	H	H	H	H	H	H	H	H	H	H	H	H	H	L	L	L	L	L	L	L	L	-	
	White	H	H	H	H	H	H	H	H	H	H	H	H	H	H	H	H	H	H	H	H	H	H	H	H	-	
Gray scale of Red	Black	L	L	L	L	L	L	L	L	L	L	L	L	L	L	L	L	L	L	L	L	L	L	L	L	L0	
	Dark	L	L	L	L	L	L	L	H	L	L	L	L	L	L	L	L	L	L	L	L	L	L	L	L	L1	
		L	L	L	L	L	L	L	L	L	L	L	L	L	L	L	L	L	L	L	L	L	L	L	L	L2	
		:	:	:	:	:	:	:	:	:	:	:	:	:	:	:	:	:	:	:	:	:	:	:	:	L3...L251	
	Light	H	H	H	H	H	H	L	L	L	L	L	L	L	L	L	L	L	L	L	L	L	L	L	L	L252	
		H	H	H	H	H	H	L	H	L	L	L	L	L	L	L	L	L	L	L	L	L	L	L	L	L253	
		H	H	H	H	H	H	H	L	L	L	L	L	L	L	L	L	L	L	L	L	L	L	L	L	L254	
Red	H	H	H	H	H	H	H	L	L	L	L	L	L	L	L	L	L	L	L	L	L	L	L	Red L255			
Gray scale of Green	Black	L	L	L	L	L	L	L	L	L	L	L	L	L	L	L	L	L	L	L	L	L	L	L	L	L0	
	Dark	L	L	L	L	L	L	L	H	L	L	L	L	L	L	L	L	L	L	L	L	L	L	L	L	L1	
		L	L	L	L	L	L	L	L	L	L	L	L	L	L	L	L	L	L	L	L	L	L	L	L	L2	
		:	:	:	:	:	:	:	:	:	:	:	:	:	:	:	:	:	:	:	:	:	:	:	:	L3...L251	
	Light	L	L	L	L	L	L	L	L	H	H	H	H	H	L	L	L	L	L	L	L	L	L	L	L252		
		L	L	L	L	L	L	L	L	H	H	H	H	H	L	H	L	L	L	L	L	L	L	L	L253		
		L	L	L	L	L	L	L	L	H	H	H	H	H	H	L	L	L	L	L	L	L	L	L	L254		
Green	L	L	L	L	L	L	L	H	H	H	H	H	H	H	L	L	L	L	L	L	L	L	Green L255				
Gray scale of Blue	Black	L	L	L	L	L	L	L	L	L	L	L	L	L	L	L	L	L	L	L	L	L	L	L	L	L0	
	Dark	L	L	L	L	L	L	L	L	L	L	L	L	L	L	L	L	L	L	L	L	L	L	L	H	L1	
		L	L	L	L	L	L	L	L	L	L	L	L	L	L	L	L	L	L	L	L	L	L	H	L	L2	
		:	:	:	:	:	:	:	:	:	:	:	:	:	:	:	:	:	:	:	:	:	:	:	:	L3...L251	
	Light	L	L	L	L	L	L	L	L	L	L	L	L	L	L	L	L	H	H	H	H	H	L	L	L	L252	
		L	L	L	L	L	L	L	L	L	L	L	L	L	L	L	L	H	H	H	H	H	L	H	L	L253	
		L	L	L	L	L	L	L	L	L	L	L	L	L	L	L	L	H	H	H	H	H	H	L	L	L254	
Blue	L	L	L	L	L	L	L	L	L	L	L	L	L	L	L	H	H	H	H	H	H	H	H	Blue L255			
Gray scale of White & Black	Black	L	L	L	L	L	L	L	L	L	L	L	L	L	L	L	L	L	L	L	L	L	L	L	L	L0	
	Dark	L	L	L	L	L	L	L	H	L	L	L	L	L	L	H	L	L	L	L	L	L	L	H	L1		
		L	L	L	L	L	L	L	H	L	L	L	L	L	H	L	L	L	L	L	L	L	H	L2			
		:	:	:	:	:	:	:	:	:	:	:	:	:	:	:	:	:	:	:	:	:	:	:	L3...L251		
	Light	H	H	H	H	H	L	L	H	H	H	H	L	L	H	H	H	H	L	L	H	H	H	H	L	L	L252
		H	H	H	H	H	L	H	H	H	H	H	L	H	H	H	H	H	L	H	H	H	H	H	L	H	L253
		H	H	H	H	H	H	L	H	H	H	H	H	L	H	H	H	H	H	L	H	H	H	H	H	L	L254
White	H	H	H	H	H	H	H	H	H	H	H	H	H	H	H	H	H	H	H	H	H	H	H	H	H	White L255	

Document Title	HSD156JUW2-A12 Product Information	Page No.	12/24
Document No.		Revision	2.0

5.0 INTERFACE PIN CONNECTION

5.1 CN1 : AORORA F31L-1A7H1-21050 or compatible connector

Pin no.	Signal	Description
1	GND	Power ground
2	NC	No connector
3	VCC	Power +5V
4	VCC	Power +5V
5	VCC	Power +5V
6	NC	No connector
7	GND	Power ground
8	GND	Power ground
9	GND	Power ground
10	ORXIN0-	Negative LVDS differential data input (Odd data)
11	ORXIN0+	Positive LVDS differential data input (Odd data)
12	ORXIN1-	Negative LVDS differential data input (Odd data)
13	ORXIN1+	Positive LVDS differential data input (Odd data)
14	ORXIN2-	Negative LVDS differential data input (Odd data)
15	ORXIN2+	Positive LVDS differential data input (Odd data)
16	ORXCLKIN-	Negative LVDS differential clock input (Odd clock)
17	ORXCLKIN+	Positive LVDS differential clock input (Odd clock)
18	ORXIN3-	Negative LVDS differential data input (Odd data)
19	ORXIN3+	Positive LVDS differential data input (Odd data)
20	ERXIN0-	Negative LVDS differential data input (Even data)
21	ERXIN0+	Positive LVDS differential data input (Even data)
22	ERXIN1-	Negative LVDS differential data input (Even data)
23	ERXIN1+	Positive LVDS differential data input (Even data)
24	ERXIN2-	Negative LVDS differential data input (Even data)
25	ERXIN2+	Positive LVDS differential data input (Even data)
26	ERXCLKIN-	Negative LVDS differential clock input (Even clock)
27	ERXCLKIN+	Positive LVDS differential clock input (Even clock)
28	ERXIN3-	Negative LVDS differential data input (Even data)
29	ERXIN3+	Positive LVDS differential data input (Even data)
30	GND	Power ground

Document Title	HSD156JUW2-A12 Product Information	Page No.	13/24
Document No.		Revision	2.0

Pin no.	Signal	Description
31	NC	No connector
32	NC	No connector
33	EN	Enable input (3.3V)
34	FAULT	FAULT signal output(normal=H,abnormal=L)
35	SCL	(NC)Serial interface clock input.
36	SDA	(NC)Serial interface data input/output.
37	WPN	(NC)Active Low of EEPROM Writing protection
38	GND	Power ground
39	GND	Power ground
40	NC	No connector
41	LEDA	LED power (Anode)
42	LEDA	LED power (Anode)
43	LEDA	LED power (Anode)
44	NC	No connector
45	LEDK	Cathode 1
46	LEDK	Cathode 2
47	LEDK	Cathode 3
48	LEDK	Cathode 4
49	NTC_A	NTC_Anode
50	NTC_K	NTC_Cathode

Document Title	HSD156JUW2-A12 Product Information	Page No.	14/24
Document No.		Revision	2.0

6.0 ELECTRICAL CHARACTERISTICS

6.1 TFT LCD Module

Item	Symbol	Min.	Typ.	Max.	Unit	Note
Supply Voltage	VCC	4.7	5.0	5.5	V	
Current of power supply	IDD	--	313	--	mA	V _{CC} = 5.0V 、 L255 pattern
VDD Power	PDD		1.5	1.8	W	V _{CC} = 5.0V 、 L255 pattern
Inrush current	I _{RUSH}	-	-	3.0	A	Note

Note : Inrush current test circuit and rising time setting (power on)

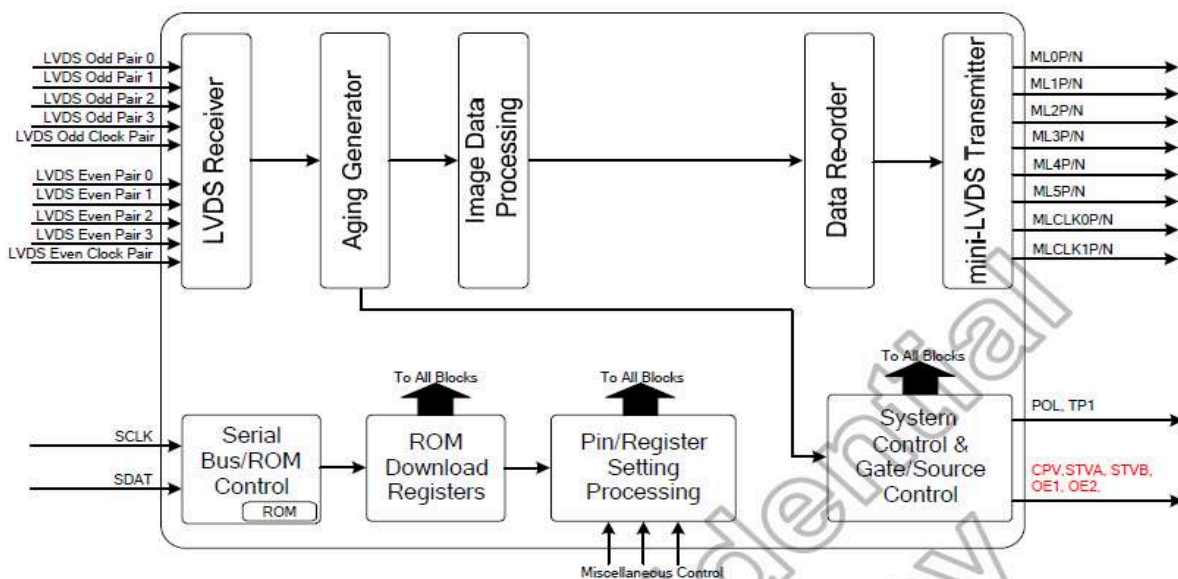
6.2 Switching Characteristics for LVDS Receiver

Item	Symbol	Min.	Typ.	Max.	Unit	Conditions
Differential Input High Threshold	V _{th}	—	—	100	mV	V _{CM} = 1.2V
Differential Input Low Threshold	V _{tl}	-100	—	—	mV	
Input Current	I _{IN}	-10	—	+10	uA	
Differential input Voltage	V _{ID}	0.2	—	0.6	V	
Common Mode Voltage Offset	V _{CM}	(V _{ID} /2)	1.2	2.25-(V _{ID} /2)	V	

6.3 Bit LVDS input

6.3.1 LVDS Block Diagram

Block Diagram



Document Title	HSD156JUW2-A12 Product Information	Page No.	15/24
Document No.		Revision	2.0

6.3.2 8Bit LVDS input

LVDS input data mapping

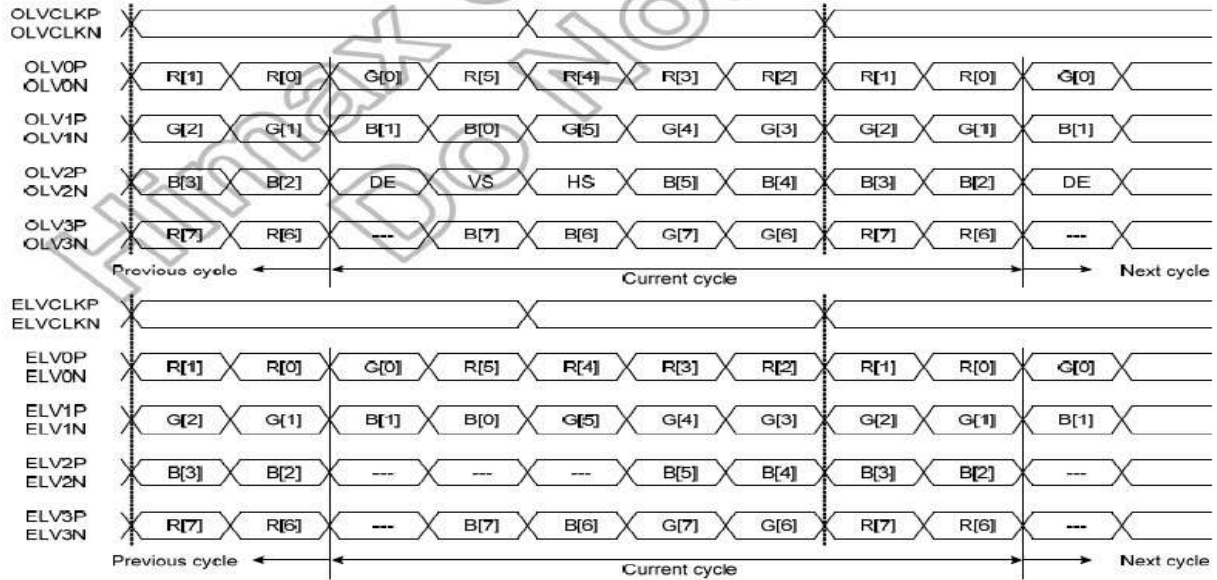


Figure 6.2: LVDS input data mapping (VESA format)

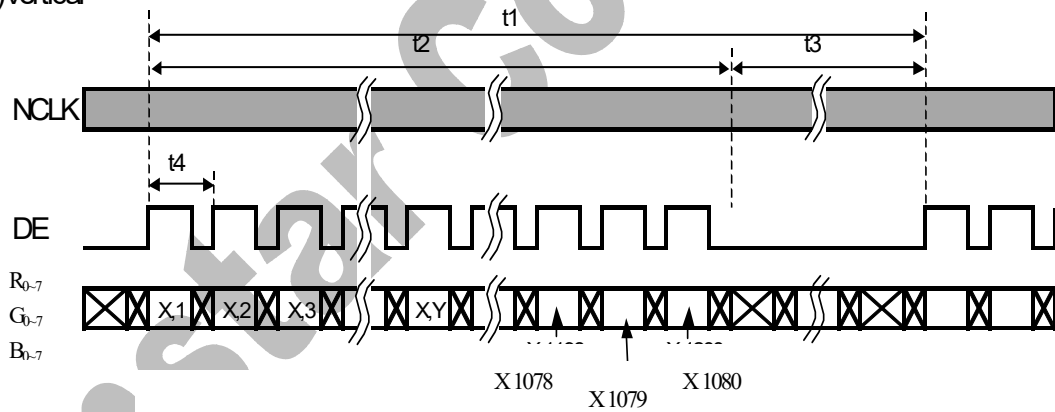
Document Title	HSD156JUW2-A12 Product Information	Page No.	16/24
Document No.		Revision	2.0

6.4 Interface Timing (DE mode)

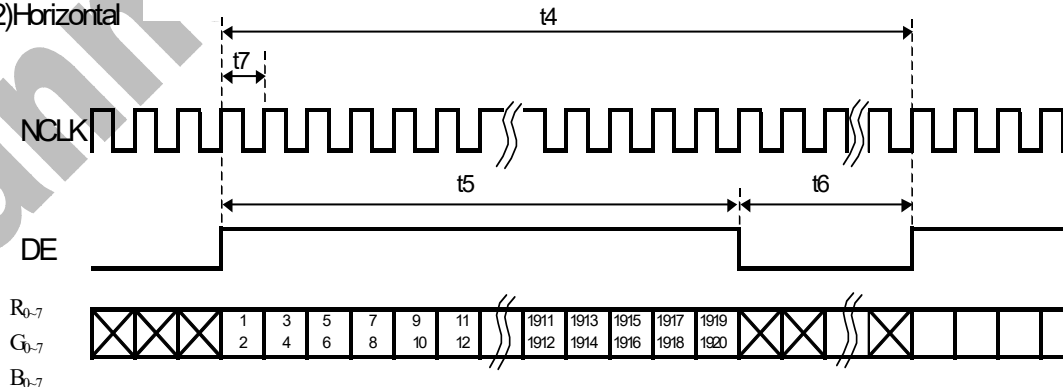
Item	Symbol	Min.	Typ.	Max.	Unit
Frame Rate	--	--	60	--	Hz
Frame Period	t1	1090	1124	1126	line
Vertical Display Time	t2	1080	1080	1080	line
Vertical Blanking Time	t3	10	44	46	line
1 Line Scanning Time	t4	1060	1080	1084	clock
Horizontal Display Time	t5	960	960	960	clock
Horizontal Blanking Time	t6	100	120	124	clock
Clock Rate	t7	69.3	72.8	73	MHz

Timing Diagram of Interface Signal (DE mode)

(1) Vertical



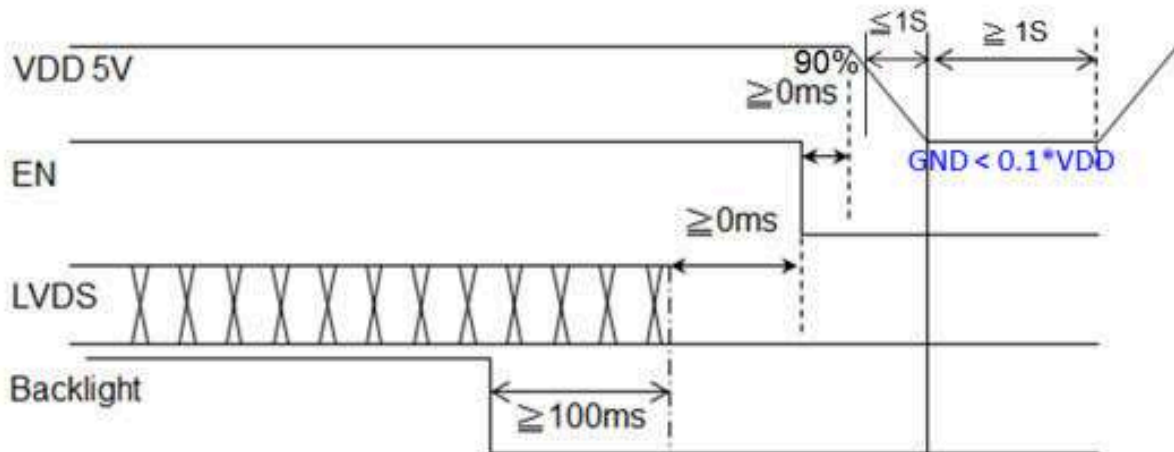
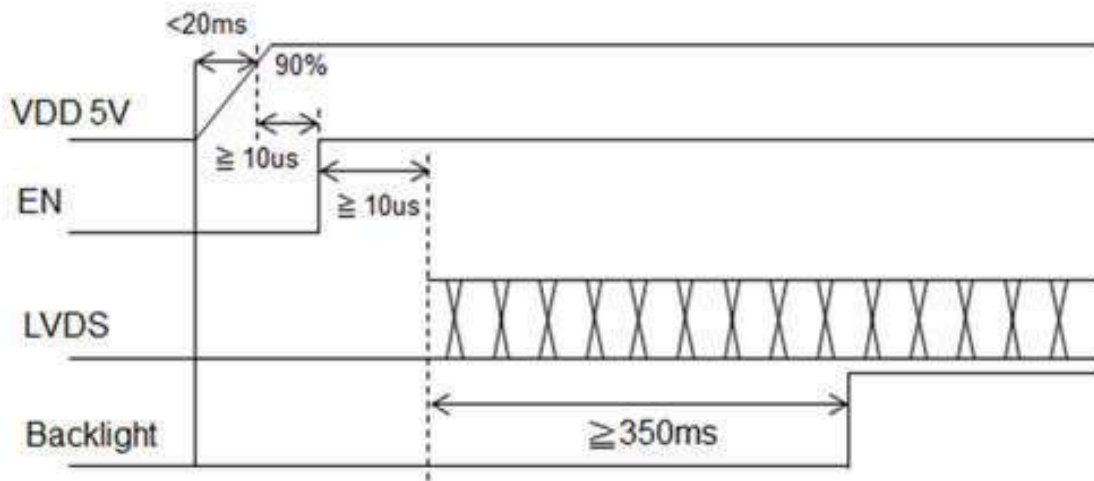
(2) Horizontal



Document Title	HSD156JUW2-A12 Product Information	Page No.	17/24
Document No.		Revision	2.0

6.5 Power On / Off Sequence

Power On/off sequence

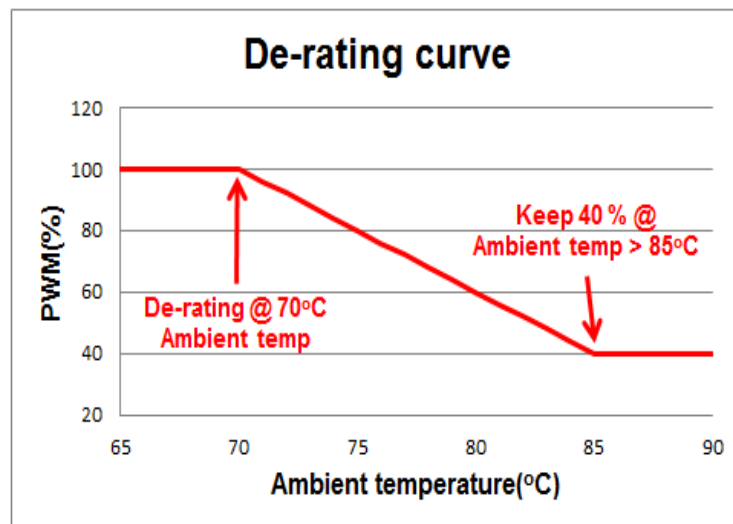


Document Title	HSD156JUW2-A12 Product Information	Page No.	18/24
Document No.		Revision	2.0

6.6 Backlight Unit

Parameter	Symbol	Min	Typ	Max	Units	Condition
LED Current	I_L	--	380	--	mA	Ta=25°C
LED Voltage	V_L	--	36	38.4	Volt	Ta=25°C
LED Life-Time	N/A	30000	--	--	Hour	Ta=25°C I _F =95mA Note (2)

- (1) LED life time (Hr) can be defined as the time in which it continues to operate under the condition: Ta=25±3°C, typical IL value indicated in the above table until the brightness becomes less than 50%.
- (2) The “LED life time” is defined as the module brightness decrease to 50% original brightness at Ta=25°C and IL=380mA. The LED lifetime could be decreased if operating IL is larger than 380mA. The constant current driving method is suggested.
- (3) LED Light Bar Circuit (12S4P)



Document Title	HSD156JUW2-A12 Product Information	Page No.	19/24
Document No.		Revision	2.0

7.0 Reliability test items

No.	Item	Conditions	Remark
1	High Temperature Storage	Ta = +90°C, 500hrs	
2	Low Temperature Storage	Ta = -40°C, 500hrs	
3	High Temperature Operation	Ta = +85°C, 500hrs	
4	Low Temperature Operation	Ta = -30°C, 500hrs	
5	High Temperature and High Humidity (operation)	Ta = +65°C, 90%RH, 500hrs	
6	Thermal Cycling Test (non operation)	-30°C(30min) → +85°C(30min), 300 cycles	
7	Electrostatic Discharge	Contact = ± 8 kV, class B; (R=330Ω,C=150pF) ; Air = ± 15 kV, class B; (R=330Ω,C=150pF) ; 1 time for each point.	
8	Vibration	1.Random: 1.04G, 10~500Hz, XYZ, 30min/each direction 2.Sine: Freq. Range: 8~33.3Hz, Stoke: 1.3mmhz Sweep: 2.9G, 33.3~400 X/Z: 2hrs, Y:4hrs	
9	Shock	Half-Sine, 100G, 6ms, ±XYZ, 1time	
10	Vibration (with carton)	Random: 0.015G ² /Hz, 5~200Hz -6dB/Octave, 200~400Hz XYZ 各方向 2hrs	
11	Drop (with carton)	Drop height condition, basis on the product weight and follow QB100-0027 1 corner, 3 edges, 6 surfaces	

Note 1 : There is no display function NG issue occurred, all the cosmetic specification is judged before the reliability stress.

Note 2 : The test result shall be evaluated after the sample has been left at room temperature and humidity for 2 hours without load.

No condensation shall be accepted. The sample shall be free from defects:

(Air bubble in the LCD 、 Seal leak 、 Non-display 、 Missing segments 、 Glass crack).

Note 3 : The test condition definition panel's surface temperature.

Document Title	HSD156JUW2-A12 Product Information	Page No.	21/24
Document No.		Revision	2.0

9.0 LOT MARK

9.1 Lot Mark

1	2	3	4	5	6	7	8	9	10	11	12	13	14	15
---	---	---	---	---	---	---	---	---	----	----	----	----	----	----

Code 1,2,3,4,5,6: HannStar internal flow control code.

Code 7: production location.

Code 8: production year.

Code 9: production month.

Code 10,11,12,13,14,15: serial number.

Note (1) Production Year: Code 8 is defined by the last number of the year, for example

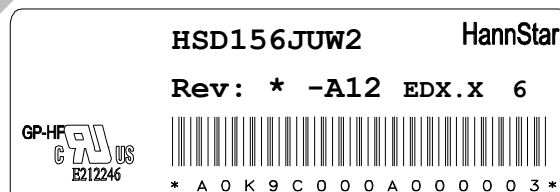
Year	2016	2017	2018	2019	2020	2021	2022	2023	2024	2025
Mark	6	7	8	9	0	1	2	3	4	5

Note (2) Production Month

Month	Jan.	Feb.	Mar.	Apr.	May.	Jun.	Jul.	Aug.	Sep.	Oct	Nov.	Dec.
Mark	1	2	3	4	5	6	7	8	9	A	B	C

9.2 Detail of Lot Mark

- (1) Below label is attached on the backside of the LCD module. See Section 8.0: Outline Dimension.
- (2) The detail of Lot Mark is attached as below.
- (3) This is subject to change without prior notice.



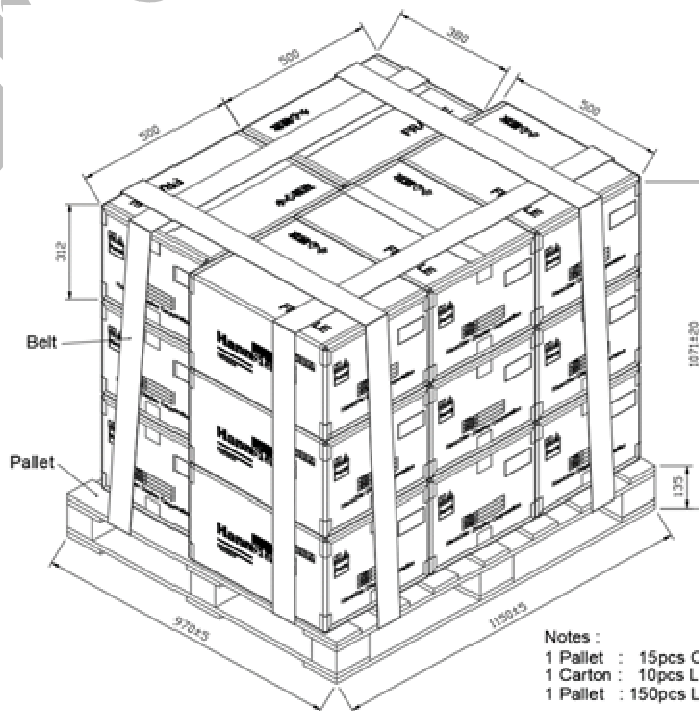
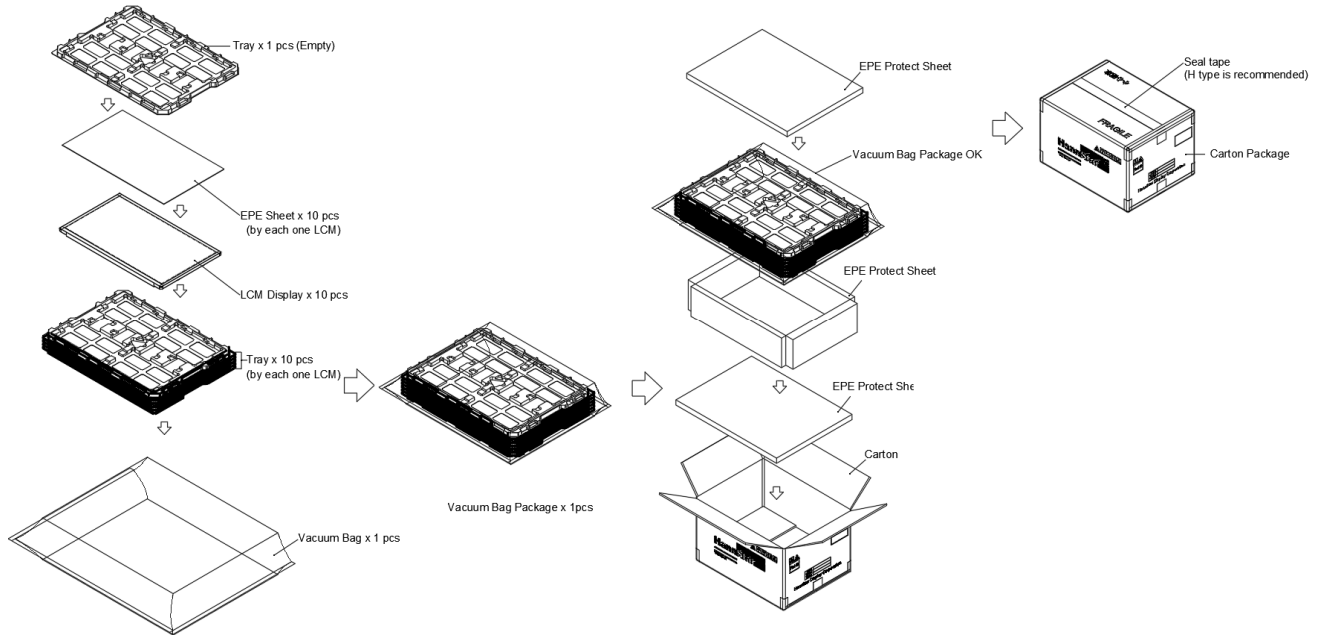
Document Title	HSD156JUW2-A12 Product Information	Page No.	22/24
Document No.		Revision	2.0

10.0 PACKAGE SPECIFICATION

10.1 Packing form

LCM Model	Qty. in the Box	Inner Box Size(mm)	Notice
HSD156JUW1-A	10pcs/Box	500mmx380mmx312(H)mm	--

10.2 Packing assembly drawings



Notes :
 1 Pallet : 15pcs Cartons
 1 Carton : 10pcs LCM MDL
 1 Pallet : 150pcs LCM MDL

Document Title	HSD156JUW2-A12 Product Information	Page No.	23/24
Document No.		Revision	2.0

11.0 GENERAL PRECAUTION

11.1 Use Restriction

This product is not authorized for use in life supporting systems, aircraft navigation control systems, military systems and any other application where performance failure could be life-threatening or otherwise catastrophic.

11.2 Disassembling or Modification

Do not disassemble or modify the module. It may damage sensitive parts inside LCD module, and may cause scratches or dust on the display. HannStar does not warrant the module, if customers disassemble or modify the module.

11.3 Breakage of LCD Panel

11.3.1. If LCD panel is broken and liquid crystal spills out, do not ingest or inhale liquid crystal, and do not contact liquid crystal with skin.

11.3.2. If liquid crystal contacts mouth or eyes, rinse out with water immediately.

11.3.3. If liquid crystal contacts skin or cloths, wash it off immediately with alcohol and rinse thoroughly with water.

11.3.4. Handle carefully with chips of glass that may cause injury, when the glass is broken.

11.4 Electric Shock

11.4.1. Disconnect power supply before handling LCD module.

11.4.2. Do not pull or fold the LED cable.

11.4.3. Do not touch the parts inside LCD modules and the fluorescent LED's connector or cables in order to prevent electric shock.

11.5 Absolute Maximum Ratings and Power Protection Circuit

11.5.1. Do not exceed the absolute maximum rating values, such as the supply voltage variation, input voltage variation, variation in parts' parameters, environmental temperature, etc., otherwise LCD module may be damaged.

11.5.2. Please do not leave LCD module in the environment of high humidity and high temperature for a long time.

11.5.3. It's recommended to employ protection circuit for power supply.

11.6 Operation

11.6.1 Do not touch, push or rub the polarizer with anything harder than HB pencil lead.

11.6.2 Use fingerstalls of soft gloves in order to keep clean display quality, when persons handle the LCD module for incoming inspection or assembly.

11.6.3 When the surface is dusty, please wipe gently with absorbent cotton or other soft material.

Document Title	HSD156JUW2-A12 Product Information	Page No.	24/24
Document No.		Revision	2.0

11.6.4 Wipe off saliva or water drops as soon as possible. If saliva or water drops contact with polarizer for a long time, they may causes deformation or color fading.

11.6.5 When cleaning the adhesives, please use absorbent cotton wetted with a little petroleum benzine or other adequate solvent.

11.7 Mechanism

Please mount LCD module by using mounting holes arranged in four corners tightly.

11.8 Static Electricity

11.8.1 Protection film must remove very slowly from the surface of LCD module to prevent from electrostatic occurrence.

11.8.2 Because LCD module use CMOS-IC on circuit board and TFT-LCD panel, it is very weak to electrostatic discharge. Please be careful with electrostatic discharge. Persons who handle the module should be grounded through adequate methods.

11.9 Strong Light Exposure

The module shall not be exposed under strong light such as direct sunlight. Otherwise, display characteristics may be changed.

11.10 Disposal

When disposing LCD module, obey the local environmental regulations.

11.11 Optical Bonding

Before CL / TP bonding, LCM must be baked at 95 degrees for 2 hours and the bonding time shall be completed within 4 hours.