

SPECIFICATION FOR APPROVAL

() Preliminary Specification
(●) Final Specification

TITLE	27.0" UHD TFT LCD
-------	-------------------

BUYER	General
MODEL	

SUPPLIER	LG Display Co., Ltd.
MODEL	LM270WR3
SUFFIX	SSC2

*When you obtain standard approval,
please use the above model name without suffix

APPROVED BY	SIGNATURE DATE
/	_____
/	_____
/	_____

Please return 1 copy for your confirmation with your signature and comments.

APPROVED BY	SIGNATURE DATE
SangHoon Lee / G.Manager	_____
REVIEWED BY	
DongGyu Kim / Manager [C]	_____
TaeSik Cho / Manager [M]	_____
GyuSam Kim / Manager [O]	_____
HaSuk Kang / Manager [P]	_____
PREPARED BY	
HyunWook / Engineer	_____

Product engineering dept.
LG Display Co., Ltd


Product Specification

Contents

No.	Item	Page
	Cover	1
	Contents	2
	Record of Revisions	3
1	General Description	4
2	Absolute Maximum Ratings	5
3	Electrical Specifications	6
3-1	Electrical Characteristics	6
3-2	Interface Connections	9
3-3	Signal Timing Specifications	15
3-4	Signal Timing Waveforms	16
3-5	Color Data Reference	17
3-6	Power Sequence	18
3-7	Power Dip Condition	19
4	Optical Specifications	20
5	Mechanical Characteristics	24
6	Reliability	27
7	International Standards	28
7-1	Safety	28
7-2	Environment	28
8	Packing	29
8-1	Designation of Lot Mark	29
8-2	Packing Form	30
9	Precautions	31
9-1	Mounting Precautions	31
9-2	Operating Precautions	31
9-3	Electrostatic Discharge Control	32
9-4	Precautions For Strong Light Exposure	32
9-5	Storage	32
9-6	Handling Precautions For Protection Film	32

Product Specification

Record of Revisions

Revision No	Revision Date	Page	Before	After	Application Date
0.0	Nov, 19.2021	-	-	First released	
1.0	Dec., 07, 2022	-	-	First Draft(Final)	Dec., 07, 2022
		33	Update Label (LCM/Box/Pallet)		
			<p>■ LCM Label of LCM</p>  <p>■ Box Label</p>  <p>■ Pallet Label</p> 		

1. General Description

LM270WR3 is a color active matrix liquid crystal display with a Light Emitting Diode(LED) backlight assembly without LED driver. The matrix employs a-Si thin film transistor as the active element. It is a transmissive type display operating in the normally black mode. It has a 27 inch diagonally measured active display area with UHD resolution(3840 horizontal by 2160 vertical pixel array). Each pixel is divided into red, green and blue sub-pixels or dots which are arranged in vertical stripes. Gray scale or the brightness of the sub-pixel color is determined with a 10-bit gray scale signal for each dot, thus, presenting a palette of more than 1.07 Billion colors with A-FRC (Advanced Frame Rate Control). It has been designed to apply eDP(HBR2, 5.4Gbps) interface. It is intended to support displays where high brightness, super wide viewing angle, high color saturation, and high color are important.

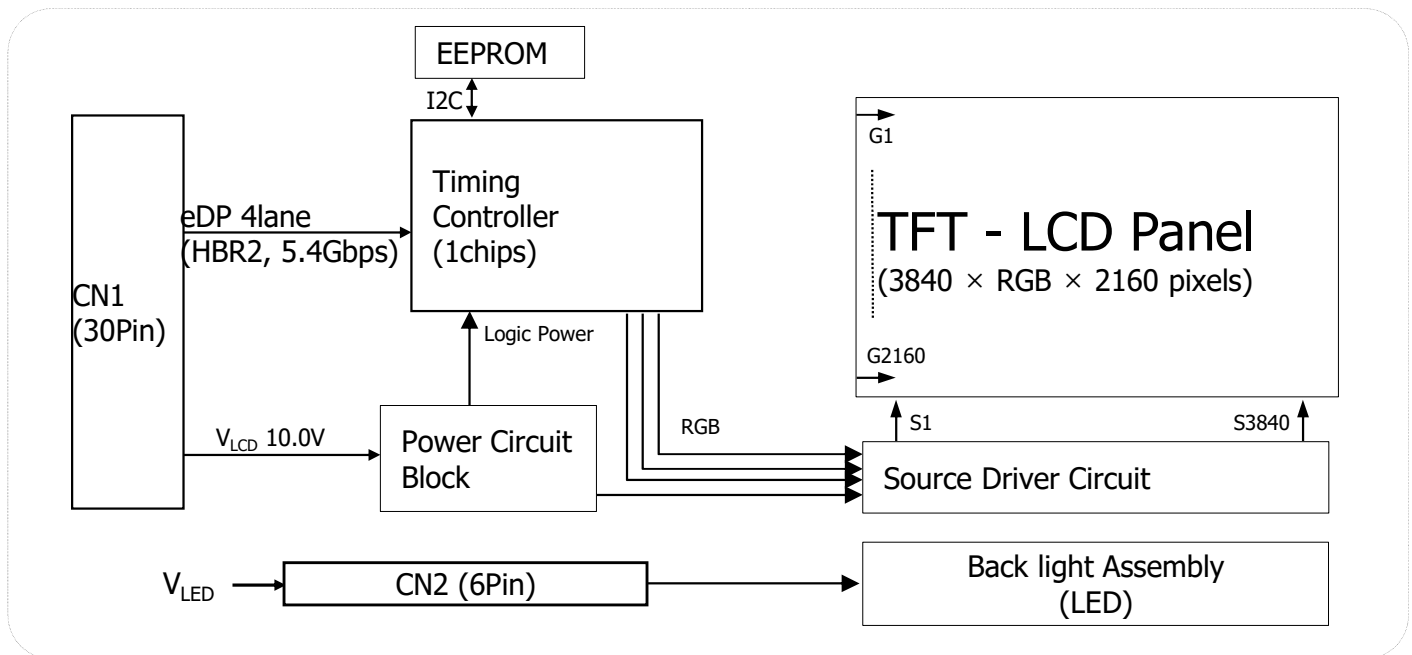


FIG.1 Block Diagram

General Features

Active Screen Size	27 inches(68.47 cm)(Aspect ratio 16:9)
Outline Dimension	608.8(H) x 355.3(V) x 12.8(D) mm(Typ.)
Pixel Pitch	0.1554(H) x 0.1554(V) mm
Pixel Format	3840(H) x 2160(V) Pixels. RGB stripes arrangement.
Color Depth	1.07 Billion colors, 10 Bit(8 Bit + A-FRC)
Luminance, White	350 cd/m ² (Center 1Point, Typ.)
Viewing Angle(CR>10)	R/L 178° (Typ.), U/D 178° (Typ.)
Power Consumption	Total 24.3 Watt (Typ.)(6.6 Watt@ Mosaic_V _{LCD} , 17.7 Watt@ I _s = 85 mA)
Weight	3,195g (Typ.)
Display Operating Mode	Transmissive mode, Normally black
Panel type	Reverse type
Surface Treatment	Advanced Anti-Glare treatment of the front polarizer(Haze25%, 3H)
Low Blue Light Panel	Hazard blue light(415nm~455nm) takes up the portion of blue light(400nm~500nm) less than 50%

2. Absolute Maximum Ratings

The following are maximum values which, if exceeded, may cause faulty operation or damage to the unit.

Table 2-1. Absolute Maximum Ratings

Parameter	Symbol	Values		Units	Notes
		Min	Max		
Power Supply Input Voltage	V_{LCD}	-0.3	+12.0	V_{DC}	At 25°C
Operating Temperature	T_{OP}	0	50	°C	1,2,3
Storage Temperature	T_{ST}	-20	60	°C	
Operating Ambient Humidity	H_{OP}	10	90	%RH	
Storage Humidity	H_{ST}	10	90	%RH	
LCM Surface Temperature(Operation)	$T_{surface}$	0	65	°C	1,4

Notes:

- 1) Temperature and relative humidity range are shown in the figure below.
Wet bulb temperature should be 39°C Max, and no condensation of water.
- 2) Maximum storage humidity is up to 40°C, 70% RH only for 4 corner light leakage mura.
- 3) Storage condition is guaranteed under packing condition.
- 4) LCM surface temperature should be measured under the condition of $V_{LCD} = Typ$, $f_V = 60Hz$, $T_a = 25°C$, no humidity and typical LED string current.

- * f_V = Frame frequency
- * T_a = Ambient temperature

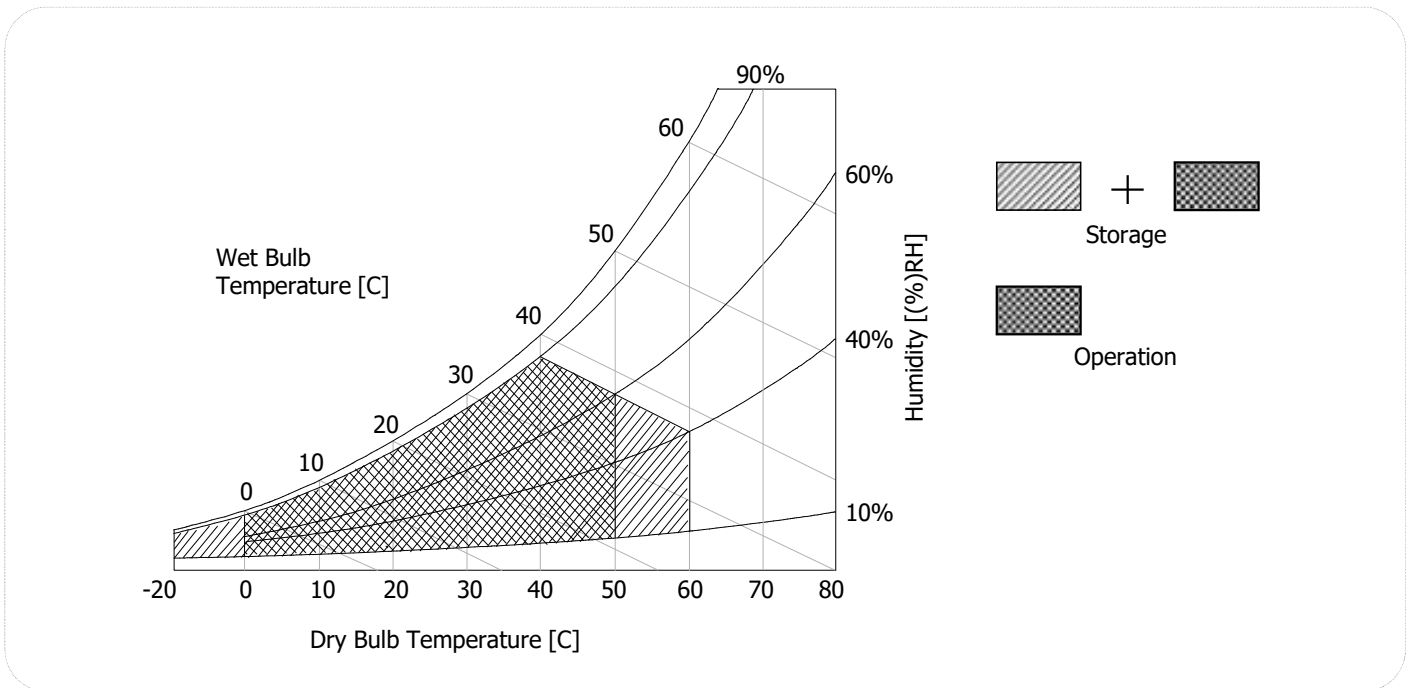


FIG.2 Temperature And Relative Humidity

Product Specification

3. Electrical Specifications

3-1. Electrical Characteristics

It requires two power inputs. One is employed to power the LCD electronics and to drive the TFT array and liquid crystal. The other input power for the LED/Backlight, is typically generated by a LED Driver. The LED Driver is an external unit to the LCDs.

Table 3-1. Electrical Characteristics

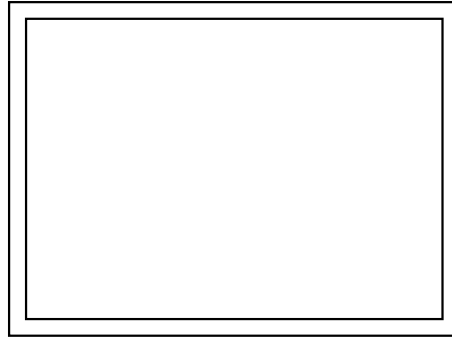
Parameter	Symbol	Values			Unit	Notes
		Min	Typ	Max		
Module:						
Power Supply Input voltage	V_{LCD}	9.5	10.0	10.5	Vdc	4
Permissive Power Input Ripple	V_{RIPPLE}	-		400	mVp-p	1
Power Supply Input Current	I_{LCD} Typ.	-	660	825	mA	2 (Non-fix)
	I_{LCD} Max.	-	920	1150	mA	
Power Consumption	P_{LCD} Typ.	-	6.6	8.25	Watt	
	P_{LCD} Max.		9.2	11.5	Watt	
Rush Current	I_{RUSH}	-	-	3.0	A	3

Notes:

- 1) Permissive power ripple should be measured under the condition of $V_{LCD} = \text{Typ}$, $25 \pm 2^\circ\text{C}$, $f_v = \text{Max}$.
Refer to page 7 for the pattern and more information.
- 2) The specified current and power consumption can be measured under the $V_{LCD} = \text{Typ}$, $25 \pm 2^\circ\text{C}$, $f_v = 60\text{Hz}$ and the pattern should be changed according to the typical or maximum power condition.
The max. current can be measured only with the maximum power pattern. See the page 7 for details.
- 3) Maximum condition of inrush current:
The duration of rush current is about 5ms and rising time of power input is $500\mu\text{s} \pm 20\%$.(Min).
- 4) V_{LCD} level must be measured between two points on PCB of LCM $V_{LCD}(\text{test point}) \sim \text{LCM Ground}$.
(Test condition: Maximum power pattern, 25°C , $f_v = 60\text{Hz}$)

* f_v = Frame frequency

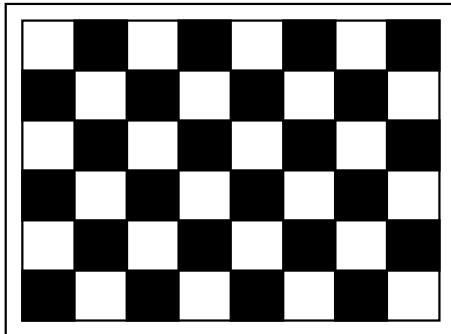
- **Permissive Power input ripple** ($V_{LCD}=10.0V$, $25^{\circ}C$, f_v (frame frequency)=Max. condition)



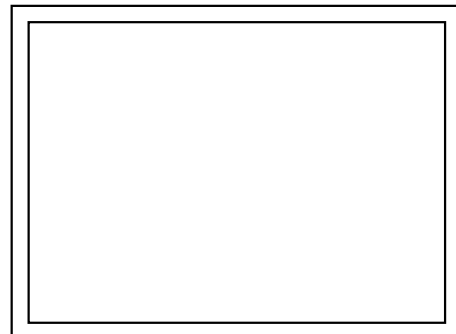
White pattern

For the exact ripple measurement, the condition of Max 20Mhz is recommended in the Bandwidth configuration of oscilloscope

- **Power consumption** ($V_{LCD} =10V$, $25^{\circ}C$, f_v (frame frequency)=60Hz condition)



Typical power Pattern



Maximum power Pattern

FIG.3-1 Mosaic pattern & White Pattern for power consumption measurement

Product Specification
Table 3-2. LED Bar Electrical Characteristics

Parameter	Symbol	Values			Unit	Notes
		Min	Typ	Max		
LED String Current	Is	-	85	90	mA	1,2
LED String Voltage	Vs	48.5	52.1	55.7	V	1,3
Power Consumption	PBar	-	17.7	18.9	Watt	2,5
LED Life Time	LED_LT	30,000	-	-	Hrs	4

Note: The LED consists of 72 LED packages, 4 strings(parallel) x 18 packages(serial)

Notes:

- 1) The specified values are for single LED bar.
- 2) The specified current is defined as the input current for single LED string with 100% duty cycle.
- 3) The specified voltage is the input LED string voltage at typical current 100% duty cycle.
- 4) The LED life time is defined as the when brightness of LED itself reach to the 50% of initial value under the conditions at $T_a = 25 \pm 2^\circ\text{C}$ and typical LED string current.
- 5) The power consumption shown above does not include the loss of external LED driver.
 The typical power consumption is calculated as $P_{\text{bar}} = V_s(\text{Typ.}) \times I_s(\text{Typ.}) \times \text{No. of strings}$.
 The maximum power consumption is calculated as $P_{\text{bar}} = V_s(\text{Max.}) \times I_s(\text{Typ.}) \times \text{No. of strings}$.

Product Specification

3-2. Interface Connections

3-2-1. LCD Module

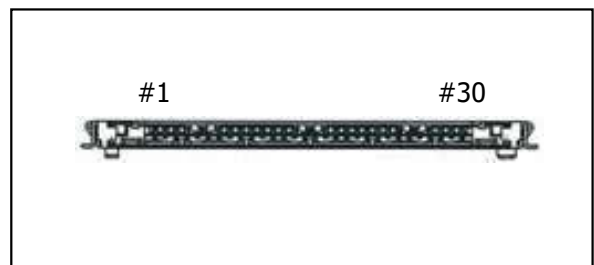
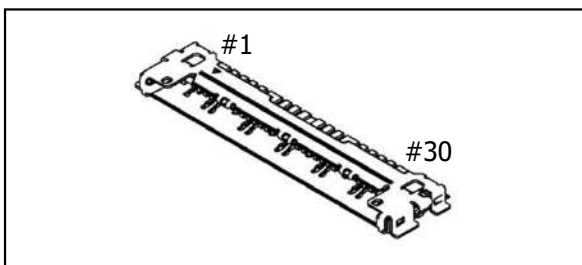
- LCD Connector(Receptacle): GT05Q-30S-H10-MN(LSMtron), HD2S030HA2(JAE), KN38B-30S-0.5H(HIROSE)
- Mating Connector(Plug): 20453-030T(Manufactured by I-PEX)

Table 3-3. Module Connector(CN1) Pin Configuration

No	Symbol	Description	No	Symbol	Description
1	V _{LCD}	Power Supply +10.0V	16	L0_P	True Signal for Main Link 0
2	V _{LCD}	Power Supply +10.0V	17	L0_N	Component Signal for Main Link 0
3	V _{LCD}	Power Supply +10.0V	18	GND	Ground
4	V _{LCD}	Power Supply +10.0V	19	L1_P	True Signal for Main Link 1
5	V _{LCD}	Power Supply +10.0V	20	L1_N	Component Signal for Main Link 1
6	NC	No Connection	21	GND	Ground
7	GND	Ground	22	L2_P	True Signal for Main Link 2
8	NC	No Connection(I2C serial interface for LCM)	23	L2_N	Component Signal for Main Link 2
9	NC	No Connection(I2C serial interface for LCM)	24	GND	Ground
10	GND	Ground	25	L3_P	True Signal for Main Link 3
11	HPD	Hot Plug Detect Signal	26	L3_N	Component Signal for Main Link 3
12	GND	Ground	27	GND	Ground
13	AUX_N	Component Signal for Auxiliary Channel	28	GND	Ground
14	AUX_P	True Signal for Auxiliary Channel	29	NC	No Connection
15	GND	Ground	30	GND	Ground

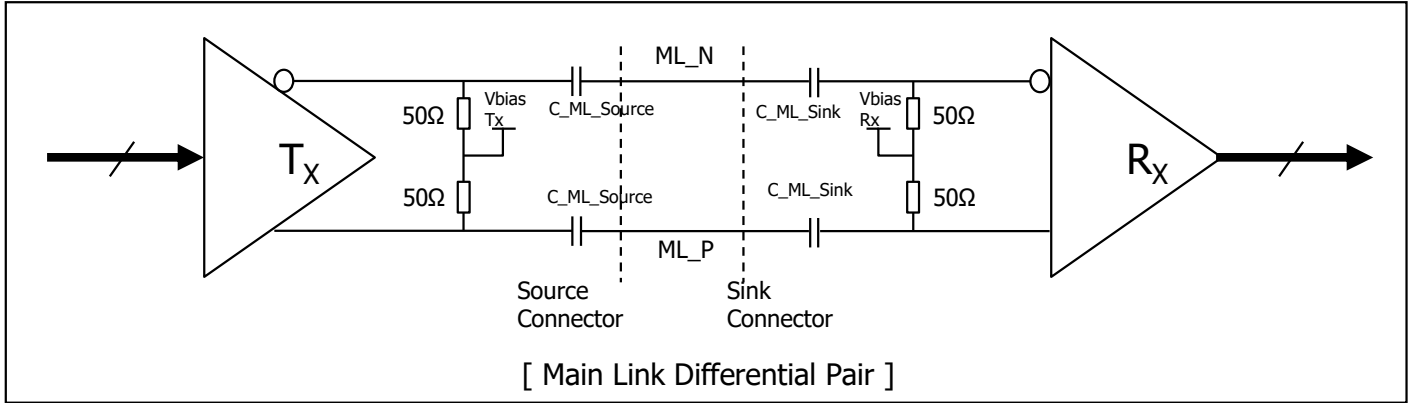
Notes:

- 1) All GND(ground) pins should be connected together to the LCD module's metal frame.
- 2) All V_{LCD}(power input) pins should be connected together.



3-2-2. eDP Signal Specifications

1. eDP Main Link Signal



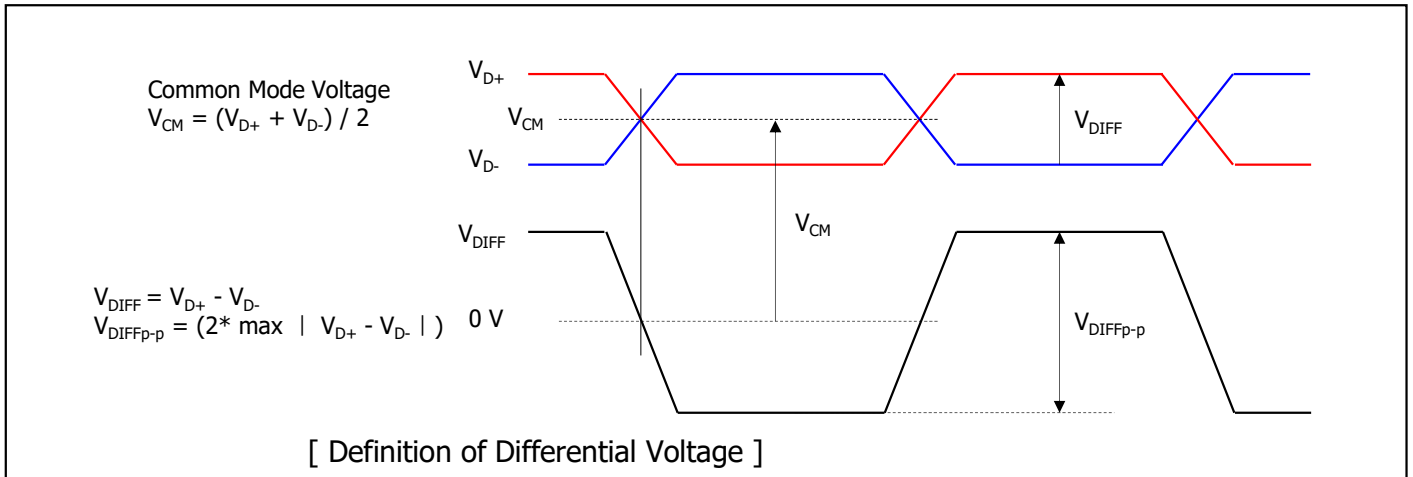
Parameter	Symbol	Min	Typ	Max	Unit	Notes
Unit Interval for High Bit Rate (5.4Gbps / Lane)	UI_HBR2	-	185	-	ps	
Link Clock Down Spreading	Amplitude	0	-	0.5	%	
	Frequency	30	-	33	kHz	
Maximum Output Voltage Level at Source Side Connector	$V_{TX-DIFFp-p-Max}$	-	-	1.38	V	6
Differential Peak to peak Voltage at Sink Side Connector	$V_{RX-DIFFp-p}$	0.09	-	-	V	7
EYE width at Sink Side Connector	$T_{RX-EYE-CONN}$	0.38	-	-	UI	6,7
Lane Intra-pair Skew	$L_{RX-SKEW-INTRA_PAIR}$	-	-	50	ps	
AC Coupling Capacitor	$C_{SOURCE-ML}$	75	-	200	nF	Source side

Notes:

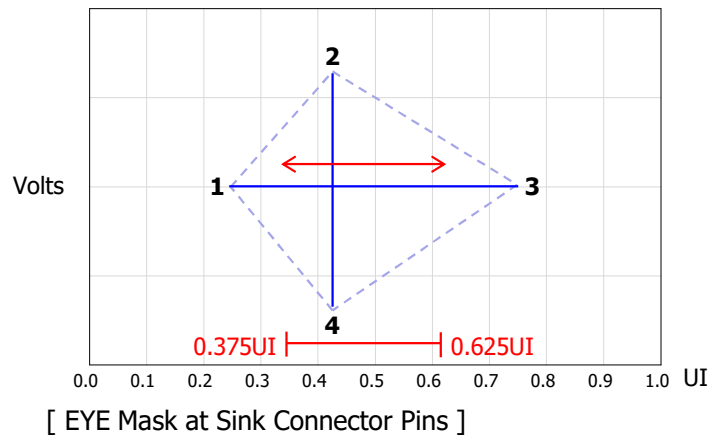
- 1) In cabled embedded system, it is recommended the system designer ensure that EYE width and voltage are met at the sink side connector pins.
- 2) Mismatched common mode voltage will occur abnormal display.
- 3) All eDP electrical spec is measured at sink connector side.

Product Specification

Note 6) Definition of Differential Voltage

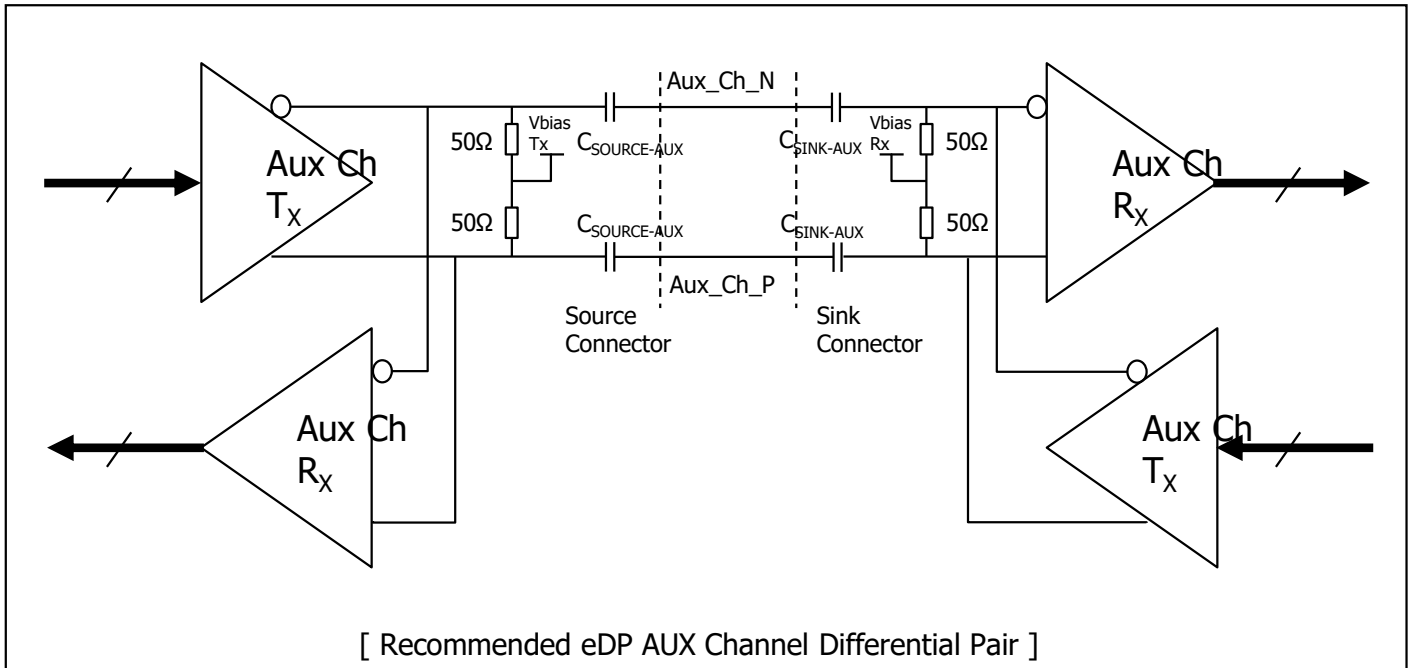


Note 7) Main Link EYE Diagram



Point	High Bit Rate 2 @ TP3 EQ	
	Time(UI)	Voltage(V)
1	Any UI location (x) where the eye width is open from x to x + 0.38UI	0.000
2	Any passing UI location between 0.375UI - 0.625UI	0.045
3	Point 1 + 0.38UI	0.000
4	Same as Point 2	-0.045

[EYE Mask Vertices at embedded DP Sink Connector Pins]

Product Specification
2. eDP AUX Channel Signal


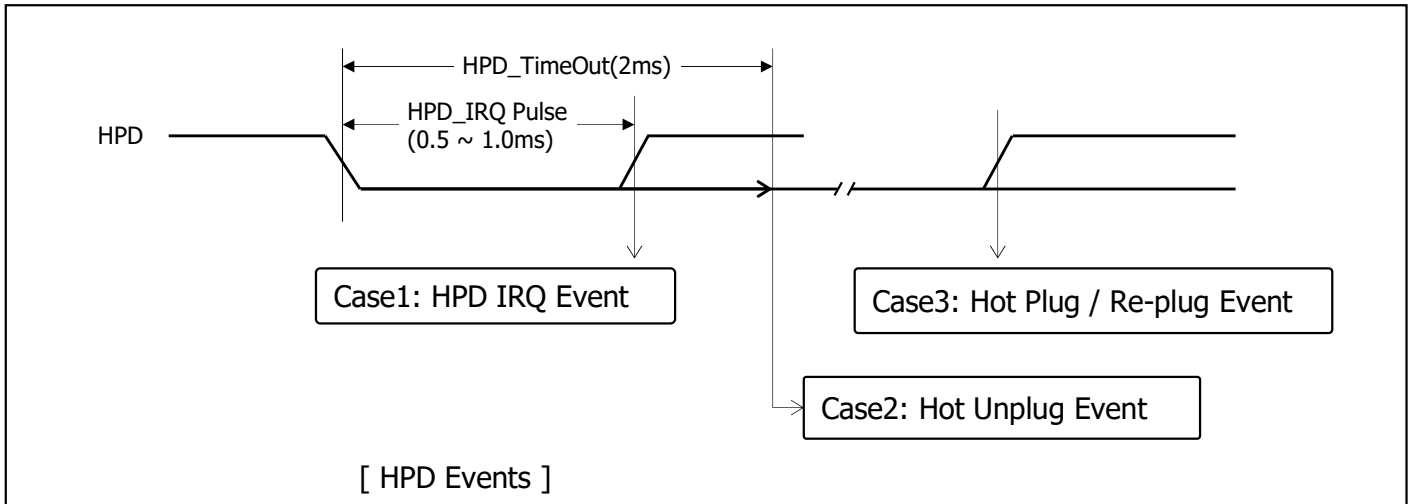
Parameter	Symbol	Min	Typ	Max	Unit	Notes
AUX Unit Interval	UI	0.4	-	0.6	us	
AUX Jitter at Rx IC Package Pins	T_{jitter}	-	-	0.05	UI	Equal to 30ns
AUX Peak-to-peak Voltage at Connector Pins of Receiving	$V_{AUX-DIFFP-P}$	0.32	-	1.36	V	
AUX Peak-to-peak Voltage at Connector Pins of Transmitting		0.39	-	1.38	V	
AUX EYE width at Connector Pins of Tx and Rx		0.98	-	-	UI	
AUX AC Coupling Capacitor	$C_{SOURCE-AUX}$	75	-	200	nF	Source side

Notes:

- 1) $V_{AUX-DIFFP-P} = 2 * |V_{AUXP} - V_{AUXN}|$
- 2) Termination resistor should be 50ohm \pm 5% at source side to AUX level.
- 3) Mismatched common mode voltage will occur abnormal display.

Product Specification

3. eDP HDP Signal



Parameter	Symbol	Min	Typ	Max	Unit	Notes
HPD Voltage	HPD	2.25	-	3.6	V	Sink side Driving
Hot Plug Detection Threshold		2.0	-	-	V	Source side Detecting
Hot Unplug Detection Threshold		-	-	0.8	V	
HPD_IRQ Pulse Width	HPD_IRQ	0.5	-	1.0	ms	
HPD_TimeOut		2.0	-	-	ms	HPD Unplug Event

Notes:

- 1) HPD IRQ: Sink device wants to notify the Source device that Sink's status has changed so it toggles HPD line, forcing the Source device to read its Link / Sink Receiver DPCD field via the AUX-CH.
- 2) HPD Unplug: The Sink device is no longer attached to the Source device and the Source device may then disable its Main Link as a power saving mode.
- 3) Plug / Re-plug: The Sink device is now attached to the Source device, forcing the Source device to read its Receiver capabilities and Link / Sink status Receiver DPCD fields via the AUX-CH.

3-2-3. Backlight Connector Pin Configuration

The LED interface connector is a model SM06B-SHJH(HF)_Manufactured by JST or equivalent.
The mating connector is a SHJP-06V-S(HF), SHJP-06V-A-K(HF) or equivalent.
The pin configuration for the connector is shown in the table below.

Table 3-4. LED Connector Pin Configuration

Pin	Symbol	Description
1	FB1	Channel1 Current Feedback
2	FB2	Channel2 Current Feedback
3	VLED	LED Power Supply
4	VLED	LED Power Supply
5	FB3	Channel3 Current Feedback
6	FB4	Channel4 Current Feedback

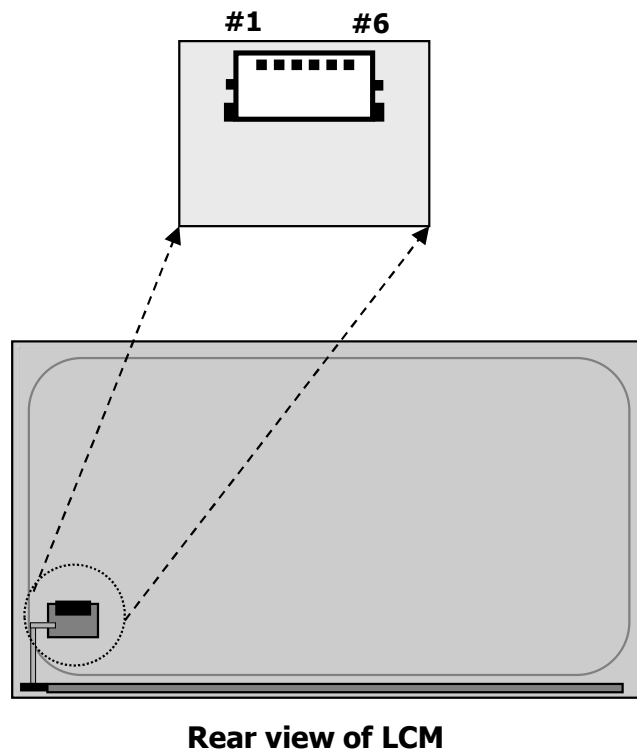


FIG.3-2 Backlight Connector View

Product Specification
3-3. Signal Timing Specifications

This is the signal timing requirement from the signal transmitter. All of the interface signal timing should be satisfied with the following specifications for its proper operation.

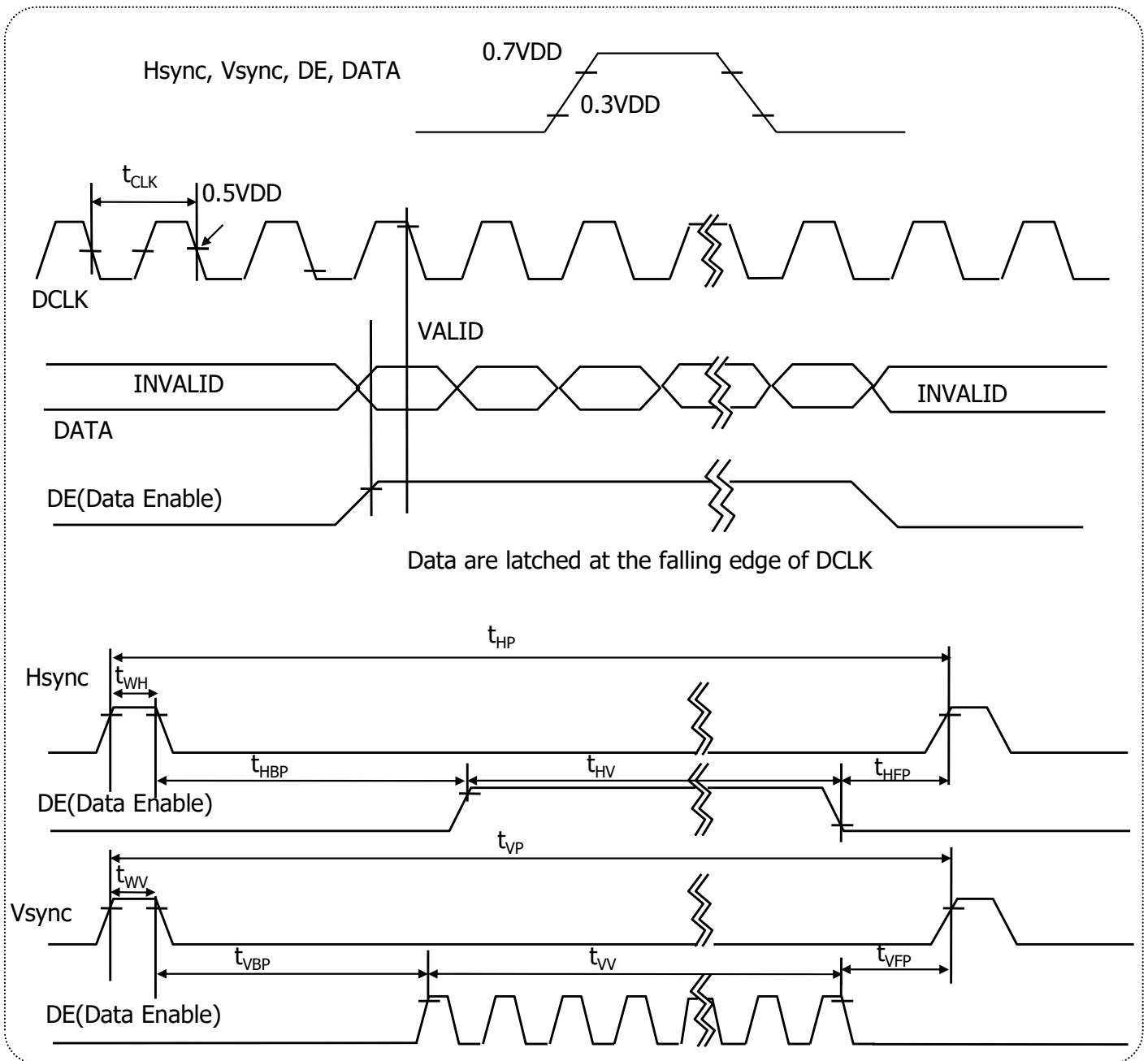
Table 3-5. Timing Table

Item	Symbol	Symbol	Min	Typ	Max	Unit	Notes
DCLK	Period	tCLK	1.82	1.875	1.93	ns	Pixel frequency (Typ. 533.25 MHz)
	Frequency	fCLK	518.25	533.25	548.25	MHz	
Hsync	Period	tHP	3968	4000	4032	tCLK	1,3,4
	Horizontal Valid	tHV	3840	3840	3840	tCLK	
	Horizontal Blank	tHB	128	160	192	tCLK	
	Frequency	fH	129.56	133.31	137.06	kHz	
	Width	tWH	28	32	36	tCLK	
	Horizontal Back Porch	tHBP	52	80	108	tCLK	
	Horizontal Front Porch	tHFP	48	48	48	tCLK	
Vsync	Period	tVP	2220	2222	3416	tHP	2,4,5,6
	Vertical Valid	tVV	2160	2160	2160	tHP	
	Vertical Blank	tVB	60	62	1256	tHP	
	Frequency (Gaming mode)	fV	39	59.997	60	Hz	
	Frequency (Normal mode)	fV	58.2	59.997	61.68	Hz	
	Width	tWV	5	5	5	tHP	
	Vertical Back Porch	tVBP	52	54	1248	tHP	
	Vertical Front Porch	tVFP	3	3	3	tHP	

Notes:

- 1) The value of Hsync Period, Hsync Width and Hsync valid should be even number times of tCLK. If the value is odd number times of tCLK, it can make asynchronous signal timing and cause abnormal display.
- 2) The performance of the electro-optical characteristics may be influenced by variance of the vertical refresh rates.
- 3) The value of Hsync Period, Hsync Width, and Horizontal Back Porch should be divided by 4 without a remainder.
- 4) The polarity of Hsync, Vsync is not restricted.
- 5) This panel supports Gaming Mode (40~60Hz) only under moving picture in room temperature(25±5°C).
 - It would not work usually under still image & reliability test.
 - Under those condition, the phenomenon such as image sticking and flickering could be found on the screen.
- 6) Guarantees reliability and normal operation only under normal Mode vertical frequency range (58.2Hz ~ 61.68Hz).

3-4. Signal Timing Waveforms



Product Specification
3-5. Color Data Reference

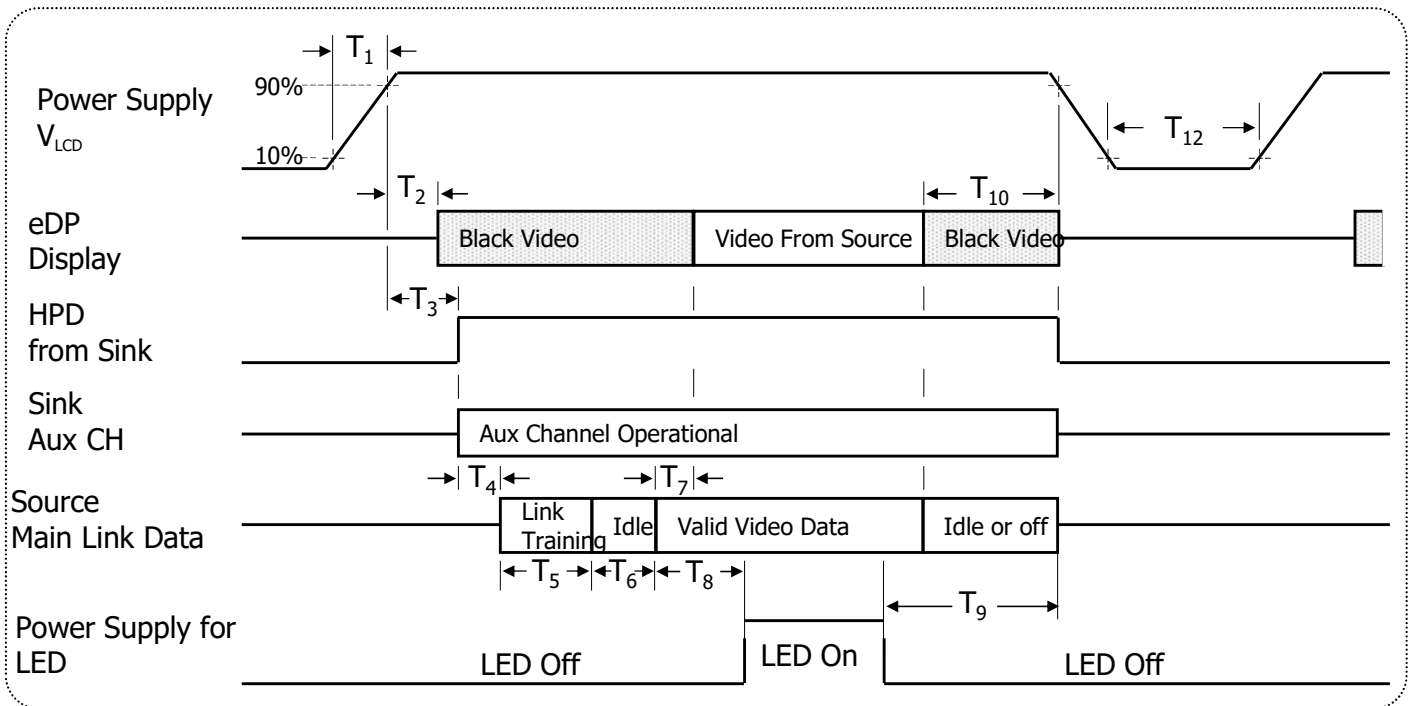
The Brightness of each primary color(Red,Green,Blue) is based on the 10-bit gray scale data input for the color; the higher the binary input, the brighter the color.

The table below provides a reference for color versus data input.

Table 3-6. Color Data Reference

Color		Input Color Data																													
		RED										GREEN										BLUE									
		MSB					LSB					MSB					LSB					MSB					LSB				
		R9	R8	R7	R6	R5	R4	R3	R2	R1	R0	G9	G8	G7	G6	G5	G4	G3	G2	G1	G0	B9	B8	B7	B6	B5	B4	B3	B2	B1	B0
Basic Color	Black	0	0	0	0	0	0	0	0	0	0	0	0	0	0	0	0	0	0	0	0	0	0	0	0	0	0	0	0	0	0
	Red (1023)	1	1	1	1	1	1	1	1	1	1	0	0	0	0	0	0	0	0	0	0	0	0	0	0	0	0	0	0	0	0
	Green (1023)	0	0	0	0	0	0	0	0	0	0	1	1	1	1	1	1	1	1	1	1	0	0	0	0	0	0	0	0	0	0
	Blue (1023)	0	0	0	0	0	0	0	0	0	0	0	0	0	0	0	0	0	0	0	0	1	1	1	1	1	1	1	1	1	1
	Cyan	0	0	0	0	0	0	0	0	0	0	1	1	1	1	1	1	1	1	1	1	1	1	1	1	1	1	1	1	1	1
	Magenta	1	1	1	1	1	1	1	1	1	1	0	0	0	0	0	0	0	0	0	0	1	1	1	1	1	1	1	1	1	1
	Yellow	1	1	1	1	1	1	1	1	1	1	1	1	1	1	1	1	1	1	1	1	0	0	0	0	0	0	0	0	0	0
	White	1	1	1	1	1	1	1	1	1	1	1	1	1	1	1	1	1	1	1	1	1	1	1	1	1	1	1	1	1	1
RED	RED (0)	0	0	0	0	0	0	0	0	0	0	0	0	0	0	0	0	0	0	0	0	0	0	0	0	0	0	0	0	0	
	RED (1)	0	0	0	0	0	0	0	0	0	0	0	0	0	0	0	0	0	0	0	0	0	0	0	0	0	0	0	0	0	
									
	RED (1022)	1	1	1	1	1	1	1	1	1	0	0	0	0	0	0	0	0	0	0	0	0	0	0	0	0	0	0	0	0	0
	RED (1023)	1	1	1	1	1	1	1	1	1	1	0	0	0	0	0	0	0	0	0	0	0	0	0	0	0	0	0	0	0	0
GREEN	GREEN (0)	0	0	0	0	0	0	0	0	0	0	0	0	0	0	0	0	0	0	0	0	0	0	0	0	0	0	0	0	0	
	GREEN (1)	0	0	0	0	0	0	0	0	0	0	0	0	0	0	0	0	0	0	0	0	0	0	0	0	0	0	0	0	0	
									
	GREEN (1022)	0	0	0	0	0	0	0	0	0	0	1	1	1	1	1	1	1	1	1	0	0	0	0	0	0	0	0	0	0	0
	GREEN (1023)	0	0	0	0	0	0	0	0	0	0	1	1	1	1	1	1	1	1	1	1	0	0	0	0	0	0	0	0	0	0
BLUE	BLUE (0)	0	0	0	0	0	0	0	0	0	0	0	0	0	0	0	0	0	0	0	0	0	0	0	0	0	0	0	0	0	
	BLUE (1)	0	0	0	0	0	0	0	0	0	0	0	0	0	0	0	0	0	0	0	0	0	0	0	0	0	0	0	0	1	
									
	BLUE (1022)	0	0	0	0	0	0	0	0	0	0	0	0	0	0	0	0	0	0	0	0	1	1	1	1	1	1	1	1	1	0
	BLUE (1023)	0	0	0	0	0	0	0	0	0	0	0	0	0	0	0	0	0	0	0	0	1	1	1	1	1	1	1	1	1	1

3-6. Power Sequence


Table 3-7. Power Sequence

Timing	Required By	Limits		Units	Notes
		Min	Max		
T_1	Source	0.5	10	ms	
T_2	Sink	10	200	ms	
T_3	Sink	15	200	ms	
T_4	Source	-	-	ms	5
T_5	Source	-	-	ms	5
T_6	Source	-	100	ms	6
T_8	Source	350	-	ms	
T_9	Source	200	-	ms	4

Timing	Required By	Limits		Units	Notes
		Min	Max		
T_{10}	Source	0	500	ms	
T_{12}	Source	1000	-	ms	

Notes:

- Power sequence should be kept all the time including below cases for normal operation.
 - AC/DC Power On/Off
 - Mode change (resolution, frequency, timing, sleep mode, color depth change, etc.)
 The violation of power sequence can cause a significant trouble in display and reliability.
- Please avoid floating state of interface signal during signal invalid period.
- When the interface signal is invalid, be sure to pull down the $V_{LCD}(0V)$
- Please turn off the power supply for LED when the level of V_{LCD} changes to prevent noise issue.
- Link training duration is dependent on the customer's system.
- It includes Source Frame Synchronization time.
 - Source Frame Synchronization: Time to prepare before Tx(Source) sends valid data(Invalid period).

3-7. Power Dip Condition

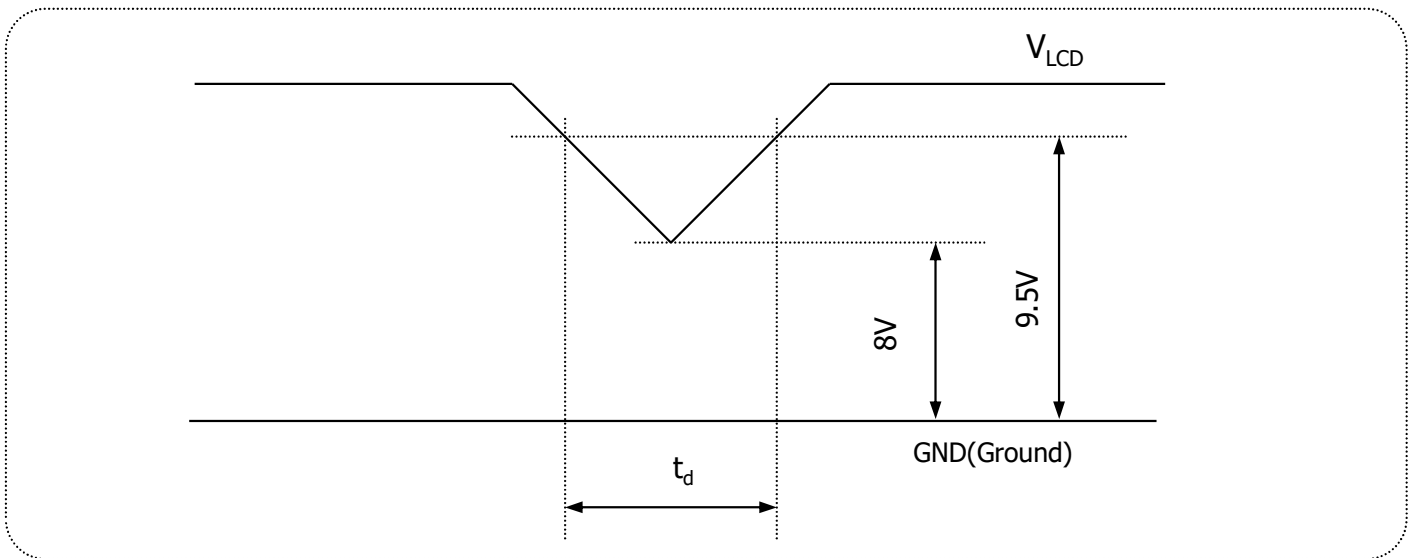


FIG.3-3 Power Dip Condition

For proper operation, stable power supply of V_{LCD} is necessary and power dip is allowed only in below condition. Except this condition, power on/off should follow power sequence specification exactly.

1) Dip Condition

$$8V \leq V_{LCD} < 9.5V, t_d \leq 20ms$$

4. Optical Specifications

Optical characteristics are determined after the unit has been 'ON' for approximately 30 minutes in a dark environment at $25 \pm 2^\circ\text{C}$. The values specified are at an approximate distance 50cm from the LCD surface at a viewing angle of Φ and θ equal to 0° and aperture 1 degree.

FIG.4-1 presents additional information concerning the measurement equipment and method.

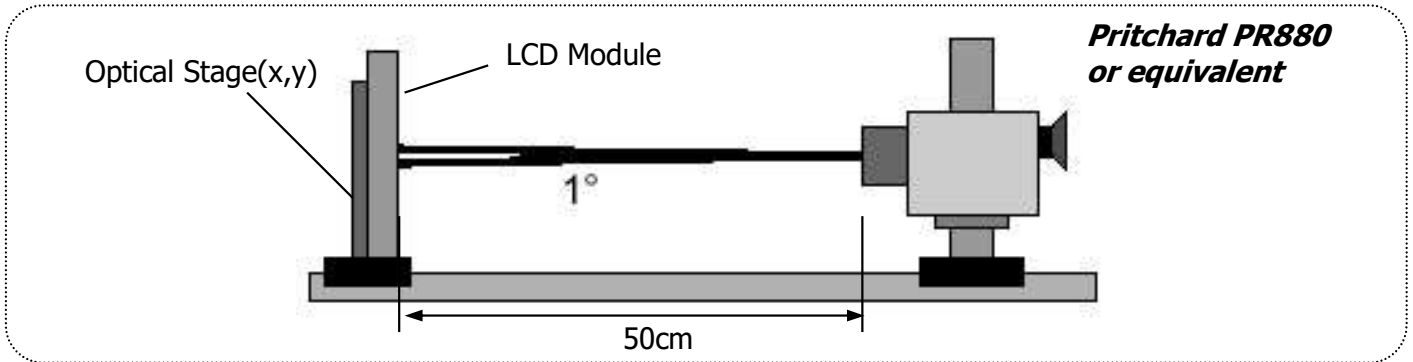


FIG.4-1 Optical Characteristic Measurement Equipment And Method

Table 4-1. Optical Characteristics

($T_a=25^\circ\text{C}$, $V_{\text{LCD}}=\text{Typ}$, $f_v=60\text{ Hz}$, $\text{DCLK}=\text{Typ}$, $I_s=85\text{mA}$)

Parameter	Symbol	Values			Units	Notes	
		Min.	Typ.	Max.			
Contrast Ratio	CR	910	1300	-		1	
Surface Luminance, white	L_{WH}	280	350	-	cd/m^2	2	
Luminance Variation	δ_{WHITE}	75	-	-	%	3	
Response Time	Gray to Gray	$T_{\text{GTG_AVR}}$	-	14	28	ms	4
Color Gamut (CIE 1931)	sRGB	-	99	-	%		
Color Coordinates [CIE 1931] (By PR650)	Red	Rx	Typ -0.03	0.654	Typ +0.03		
		Ry		0.331			
	Green	Gx		0.311			
		Gy		0.643			
	Blue	Bx		0.147			
		By		0.056			
	White	Wx		0.313			
		Wy		0.329			
Color Temperature	-	-	6500	-	K		
Viewing Angle (CR>10, General)	Horizontal	θ_{H}	170	178	-	Degree	5
	Vertical	θ_{V}	170	178	-		
Gray Scale	-	-	-	2.2	-		6

Notes:

- 1) **Contrast Ratio(CR)** is defined mathematically as: **(By PR880)**
It is measured at center point(1)

$$\text{Contrast ratio} = \frac{\text{Surface luminance with all white pixels}}{\text{Surface luminance with all black pixels}}$$

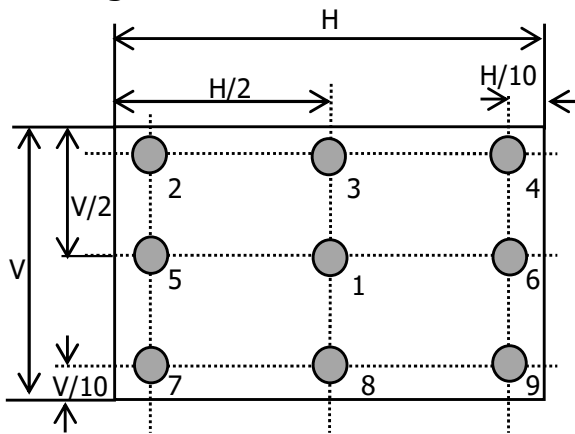
- 2) **Surface Luminance(L_{WH})** is the luminance value at center 1 point(1) across the LCD surface 50cm from the surface with all pixels displaying white. For more information see FIG.4-1. **(By PR880)**

- 3) The **Variation in Surface Luminance**, δ_{WHITE} is defined as: **(By PR880)**

$$\delta_{\text{WHITE}} = \frac{\text{Minimum}(LP1, LP2, \dots, LP9)}{\text{Maximum}(LP1, LP2, \dots, LP9)} \times 100(\%)$$

Where L1 to L9 are the luminance with all pixels displaying white at 9 locations.
For more information see FIG.4-2.

<Measuring Point For Luminance Variation>



@ H,V: Active Area

<Measuring Point For Surface Luminance>

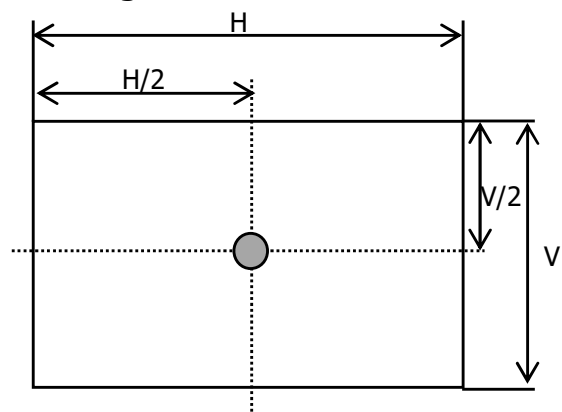


FIG.4-2 Measure Point for Luminance

Notes:

- 4) The **Gray To Gray Response Time** is defined as the following figure and shall be measured by switching the input signal for "Gray To Gray". (*By RD80S*)
 - Gray step: 5 Step
 - T_{GTG_AVR} is the total average time at rising time and falling time for "Gray To Gray".
 - For the GTG measurement, the sampling rate of oscilloscope is 500k/s.

Table 4-2. GTG Gray

Gray to Gray		Rising Time				
		G1023	G767	G511	G255	G0
Falling Time	G1023					
	G767					
	G511					
	G255					
	G0					

Response Time is defined as the following figure and shall be measured by switching the input signal for "Gray(N)" and "Gray(M)".

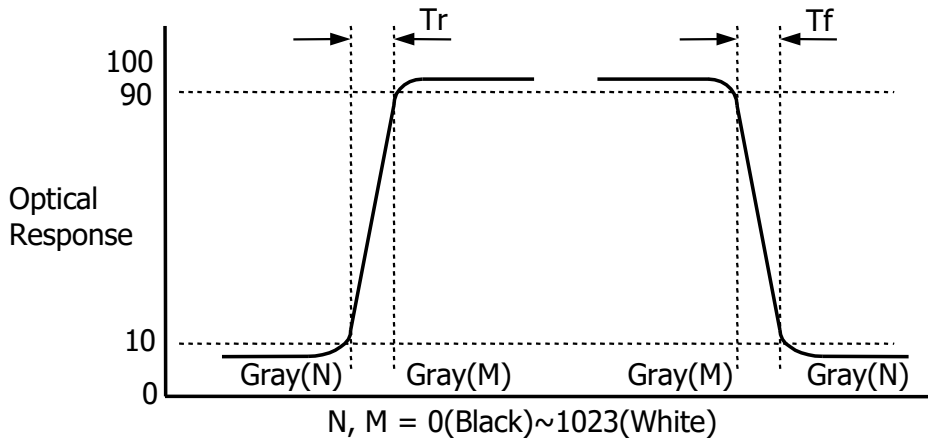


FIG.4-3 Response Time

Product Specification

Notes:

5) **Viewing Angle** is the angle at which the contrast ratio is greater than 10. The angles are determined for the horizontal or x axis and the vertical or y axis with respect to the z axis which is normal to the LCD surface. For more information see FIG.4-4. **(By PR880)**

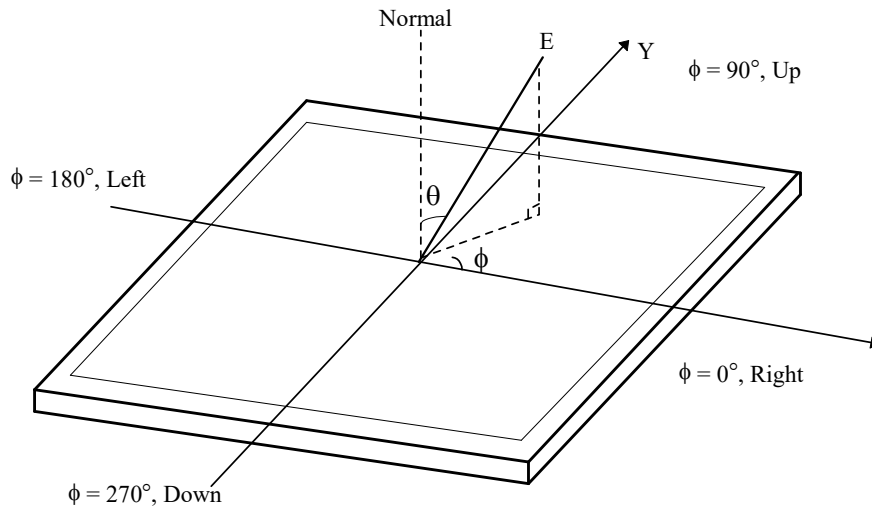


FIG.4-4 Viewing Angle

6) **Gamma Value** is approximately 2.2. For more information see below table.

Table 4-3. Gray Scale Specification

Gray Level	Relative Luminance [%](Typ)
0	0.1
63	0.3
127	1.08
191	2.5
255	4.71
319	7.7
383	11.52
447	16.18
511	21.72
575	28.15
639	35.51
703	43.81
767	53.07
831	63.3
895	74.52
959	86.75
1023	100

Product Specification

5. Mechanical Characteristics

The contents provide general mechanical characteristics. In addition the figures in the next page are detailed mechanical drawing of the LCD.

Outline Dimension	Horizontal	608.8 mm
	Vertical	355.3 mm
	Depth	12.8 mm
Bezel Area	Horizontal	-
	Vertical	-
Active Display Area	Horizontal	596.74 mm
	Vertical	335.66 mm
Weight	Typ: 3195 g , Max: 3360 g	
Surface Treatment	Advanced Anti-Glare treatment of the front polarizer(Haze25%, 3H)	

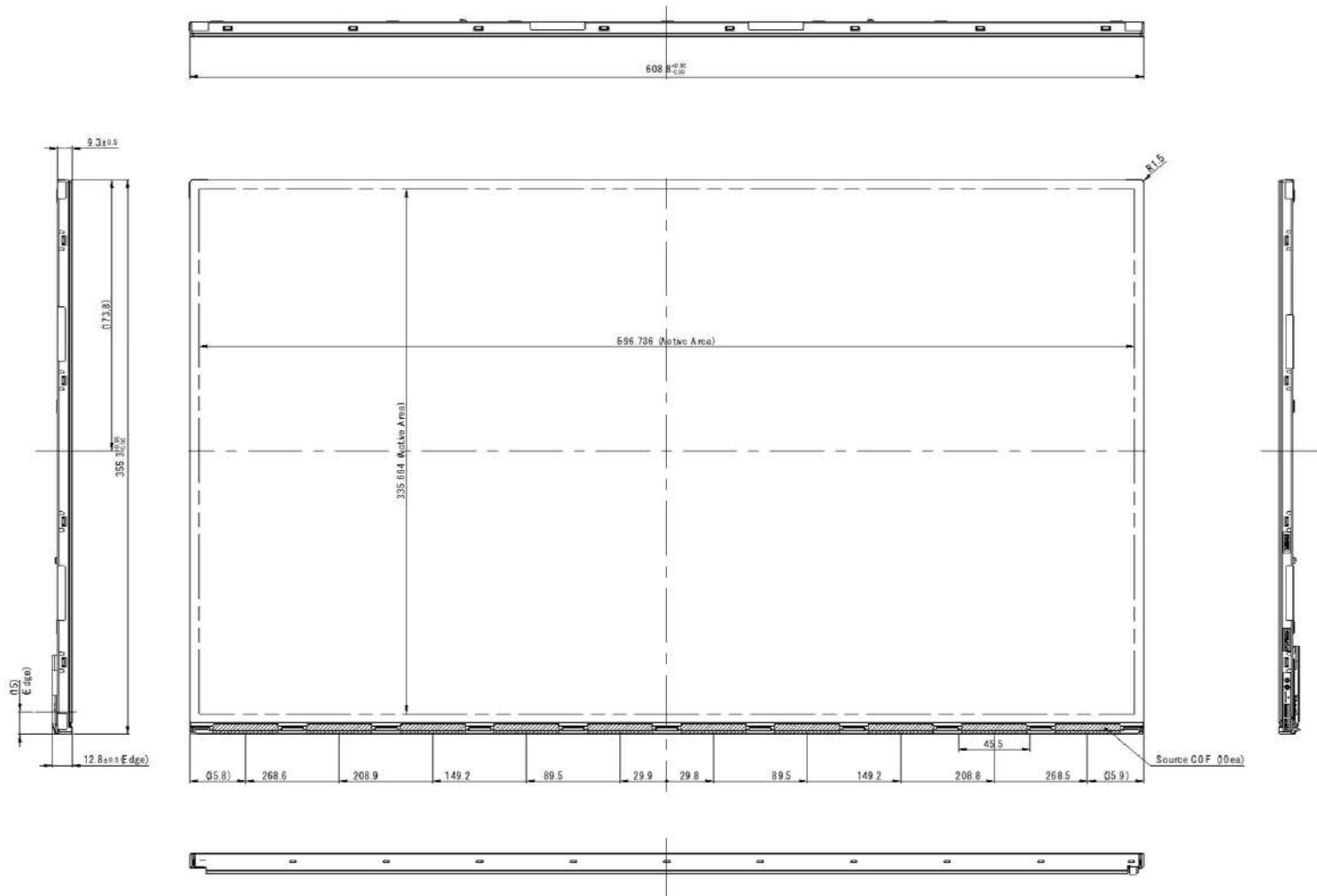
Note: Please refer to a mechanical drawing in terms of tolerance at the next page.

- Outline dimensions (horizontal, vertical and outside depth) are measured by using vernier calipers.

Product Specification

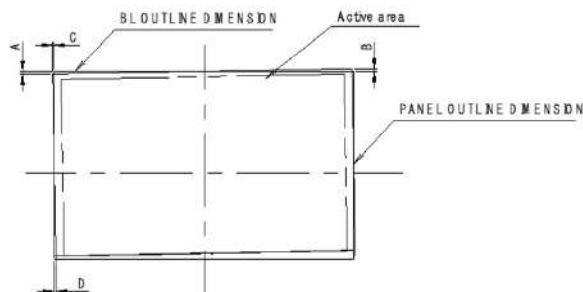
<FRONT VIEW>

Update : 21/07/07



Notes

1. LF connector specification : LSM ton, GT050-30S-H10-M or Equivalent
2. LED connector specification : 10035W R-H06D (HF) M manufactured by Y eonho) or Equivalent
3. Torque of user hole : 3.0~4.0kgf-cm
4. Tilt and partial disposition to plane of display area as following
 - (1) Y-direction $-0.45 \leq A \leq 0.45, -0.45 \leq B \leq 0.45$
 - (2) X-direction $-0.45 \leq C \leq 0.45, -0.45 \leq D \leq 0.45$



5. Unspecified tolerances to be ± 0.5
6. The LCM warp (warpage) is less than 1.0 on the surface plate
7. The COF area is weak & sensitive, so please don't press the COF area
8. Unspecified height should follow 3D modeling data

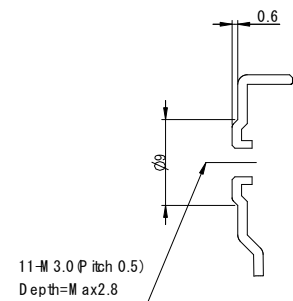
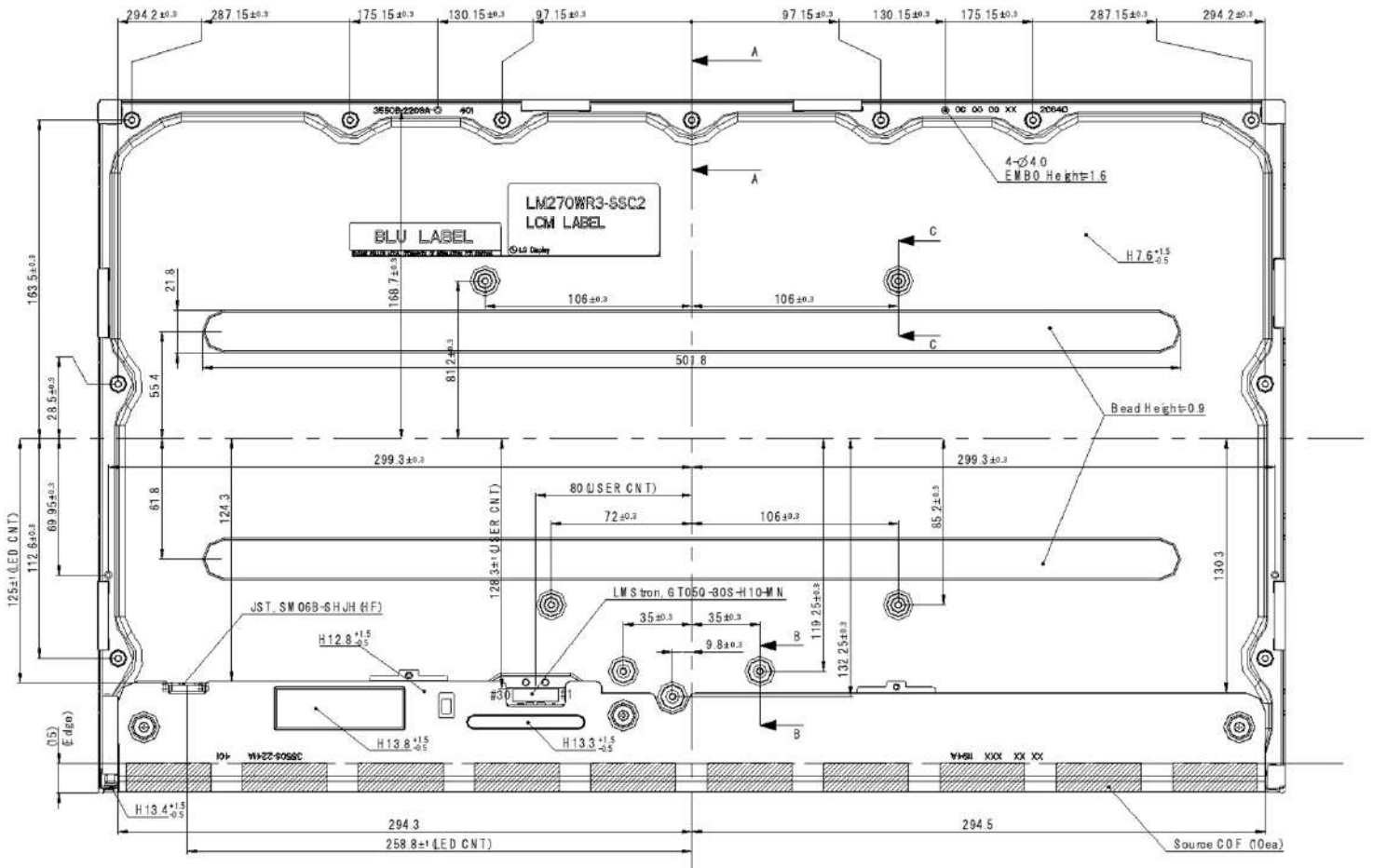
LGD Highly recommendation :

System chassis or frame should be designed to keep the IPS Panel flat as it is vulnerable to panel light-leakage caused by deformation.

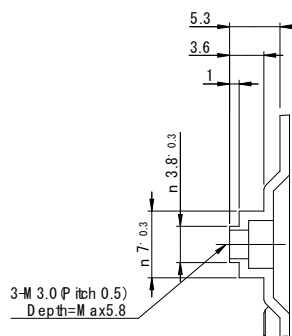
Product Specification

<REAR VIEW>

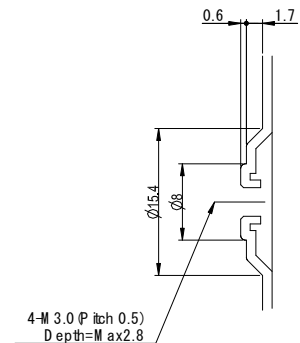
Update : 21/07/07



SECTION A-A
SCALE 2/1



SECTION B-B
SCALE 2/1



SECTION C-C
SCALE 2/1

Product Specification
6. Reliability

Environment test condition

No	Test Item	Condition	Notes
1	High temperature storage test	$T_a = 60^{\circ}\text{C}$, 240h	1
2	Low temperature storage test	$T_a = -20^{\circ}\text{C}$, 240h	1
3	High temperature operation test	$T_a = 50^{\circ}\text{C}$, 50%RH, 240h	1
4	Low temperature operation test	$T_a = 0^{\circ}\text{C}$, 240h	1
5	Humidity condition operation	$T_a = 40^{\circ}\text{C}$, 90%RH	1
6	Altitude Operating Storage / Shipment	0 - 10,000 feet (3,048m) 0 - 40,000 feet (12,192m)	
7	Maximum storage humidity for 4 corner light leakage Mura	Max 70%RH, $T_a = 40^{\circ}\text{C}$	

Note 1) Result Evaluation Criteria:

TFT-LCD panels test should take place after cooling enough at room temperature.

In the standard condition, there should be no particular problems that may affect the display function.

 * T_a = Ambient Temperature

7. International Standards

7-1. Safety

- a) IEC 62368-1, The International Electro-technical Commission(IEC).
Audio/video, Information and Communication Technology Equipment - Safety - Safety Requirements.
- b) EN 62368-1, European Committee for Electro-technical Standardization (CENELEC)
Audio/video, Information and Communication Technology Equipment - Safety Requirements
- c) UL 62368-1, UL LLC.
Audio/video, Information and Communication Technology Equipment - Safety Requirements
- d) CAN/CSA C22.2 No.62368-1, Canadian Standards Association (CSA).
Audio/video, Information and Communication Technology Equipment - Safety Requirements
- e) IEC 60950-1, The International Electro technical Commission (IEC).
Information Technology Equipment - Safety - Part 1 : General Requirements

7-2. Environment

- a) RoHS, Commission Delegated Directive (EU) 2015/863 of 31 March 2015 amending Annex II to Directive 2011/65/EU of the European Parliament and of the Council

Product Specification

8. Packing

8-1. Designation of Lot Mark

a) Lot Mark

A	B	C	D	E	F	G	H	I	J	K	L	M
---	---	---	---	---	---	---	---	---	---	---	---	---

A,B,C: Size(Inch)

E: Month

D: Year

F ~ M: Serial No.

Notes:

1) Year

Year	2020	2021	2022	2023	2024	2025	2026	2027	2028	2029
Mark	K	L	M	N	P	R	S	T	U	V

2) Month

Month	Jan	Feb	Mar	Apr	May	Jun	Jul	Aug	Sep	Oct	Nov	Dec
Mark	1	2	3	4	5	6	7	8	9	A	B	C

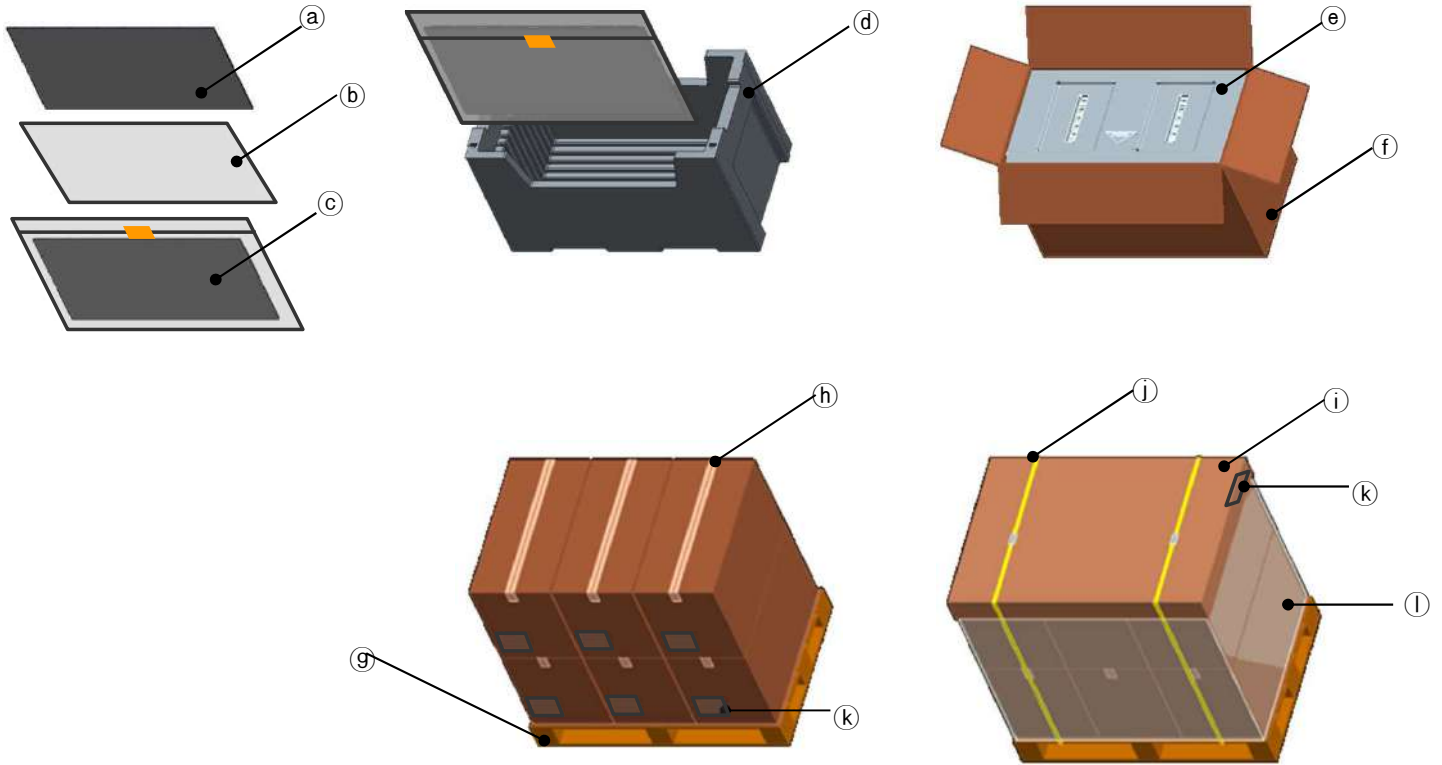
b) Location of Lot Mark

Serial No. is printed on the label. The label is attached to the backside of the LCD module.
This is subject to change without prior notice.

Product Specification

8-2. Packing Form

- a) Package quantity in one box : 10ea
Package quantity in one Pallet : 60ea
- b) Box Size : 365mm X 710mm X 448mm
- c) Pallet Ass'y Size: 1140mmX740mmX1018mm



No.	Description	Material
(a)	LCM	-
(b)	Protect film	OPP
(c)	AL-Bag	AL
(d)	Packing,Bottom	EPS
(e)	Packing,Top	EPS
(f)	Box	Paper(SW)
(g)	Pallet	Plywood
(h)	Tape	OPP
(i)	Angle Cover	Paper(SW)
(j)	BAND	PP
(k)	LABEL	YUPO PAPER
(l)	Wrap	-

Product Specification

9. Precautions

Please pay attention to the followings when you use this TFT LCD module.

9-1. Mounting Precautions

- 1) You must mount a module using holes arranged in rear side.
- 2) You should consider the mounting structure so that uneven force(ex. Twisted stress) is not applied to the module. And the case on which a module is mounted should have sufficient strength so that external force is not transmitted directly to the module.
- 3) Please attach the surface transparent protective plate to the surface in order to protect the polarizer. Transparent protective plate should have sufficient strength in order to the resist external force.
- 4) You should adopt radiation structure to satisfy the temperature specification.
- 5) Acetic acid type and chlorine type materials for the cover case are not desirable because the former generates corrosive gas of attacking the polarizer at high temperature and the latter causes circuit break by electro-chemical reaction.
- 6) Do not touch, push or rub the exposed polarizers with glass, tweezers or anything harder than HB pencil lead. And please do not rub with dust clothes with chemical treatment. Do not touch the surface of polarizer for bare hand or greasy cloth.
(Some cosmetics are detrimental to the polarizer.)
- 7) When the surface becomes dusty, please wipe gently with absorbent cotton or other soft materials like chamois soaks with petroleum benzene. Normal-hexane is recommended for cleaning the adhesives used to attach front / rear polarizers. Do not use acetone, toluene and alcohol because they cause chemical damage to the polarizer.
- 8) Wipe off saliva or water drops as soon as possible. Their long time contact with polarizer causes deformations and color fading.
- 9) Do not open the case because inside circuits do not have sufficient strength.
- 10) System frame should not have an interference with panel which can cause LC Leakage/Panel Crack due to the contraction of system frame at low temperature condition or panel damage by any other circumstances.

9-2. Operating Precautions

- 1) Response time depends on the temperature.(In lower temperature, it becomes longer.)
- 2) Brightness depends on the temperature.(In higher temperature, it becomes lower.) And in lower temperature, response time(required time that brightness is stable after turned on) becomes longer.
- 3) Be careful for condensation at sudden temperature change. Condensation makes damage to polarizer or electrical contacted parts. And after fading condensation, smear or spot will occur.
- 4) When fixed patterns are displayed for a long time, remnant image is likely to occur.
- 5) Module has high frequency circuits. Sufficient suppression to the electromagnetic interference shall be done by system manufacturers. Grounding and shielding methods may be important to minimized the interference.
- 6) Please do not give any mechanical and/or acoustical impact to LCM. Otherwise, LCM can't be operated its full characteristics perfectly.
- 7) A screw which is fastened up the steels should be a machine screw.(if not, it causes metallic foreign material and deal LCM a fatal blow)
- 8) Please do not set LCD on its edge.
- 9) When LCMs are used for public display, defects such as Yogore & image sticking can not be guaranteed.
- 10) LCMs cannot support "Interlaced Scan Method"
- 11) When this reverse model is used as a forward-type model (PCB on top side) or a Portrait-type mode at storage and operation, LGD can not guarantee any defects of LCM.
- 12) Please conduct image sticking test after 2-hour aging with Rolling Pattern at normal temperature.(25~40°C)

9-3. Electrostatic Discharge Control

Since a module is composed of electronic circuits, it is not strong to electrostatic discharge. Make certain that treatment persons are connected to ground through wrist band etc. And don't touch interface pin directly.

9-4. Precautions For Strong Light and Hazardous Materials Exposure

Strong light exposure causes degradation of polarizer and color filter.
The LCM should be avoided direct contact with hazardous materials such as sulfur, acetic acid, chlorine, etc. These materials may cause chemical reaction such as sulfurization, corrosion, discoloration, etc.

9-5. Storage

When storing modules as spares for a long time, the following precautions are necessary.

- 1) Store them in a dark place. Do not expose the module to sunlight or fluorescent light. Keep the temperature between 5°C and 35°C at normal humidity.
- 2) The polarizer surface should not come in contact with any other object.
It is recommended that they be stored in the container in which they were shipped.

9-6. Handling Precautions For Protection Film

- 1) The protection film is attached to the bezel with a small masking tape. When the protection film is peeled off, static electricity is generated between the film and polarizer. This should be peeled off slowly and carefully by people who are electrically grounded and with well ion-blown equipment or in such a condition, etc.
- 2) When the module with protection film attached is stored for a long time, sometimes there remains a very small amount of glue still on the bezel after the protection film is peeled off.
- 3) You can remove the glue easily. When the glue remains on the bezel surface or its vestige is recognized, please wipe them off with absorbent cotton waste or other soft material like chamois soaked with normal-hexane.

APPENDIX

■ ID Label of LCM



■ Box Label



■ Pallet Label

