



AUO Display+

- Preliminary Specification
- Final Specification

Module	24 Inch Color TFT-LCD
Model Name	G240UAN01.0

Customer	Date
_____	_____
Checked & Approved by	Date
_____	_____
Customer's sign back page	

Approved by	Date
<u>Buffy Chen</u>	<u>Nov 18, 2022</u>
Prepared by	Date
<u>Isaac TY Huang</u>	<u>Nov 18, 2022</u>
General Display Business Unit / AUO Display Plus Corporation	

Contents

- 1. Operating Precautions4**
- 2. General Description.....5**
 - 2.1 Display Characteristics..... 5
 - 2.2 Optical Characteristics 6
- 3. Functional Block Diagram.....9**
- 4. Absolute Maximum Ratings 10**
 - 4.1 Absolute Ratings of TFT LCD Module..... 10
 - 4.2 Absolute Ratings of Environment..... 10
- 5. Electrical Characteristics 11**
 - 5.1 TFT LCD Module 11
 - 5.2 Backlight Unit 13
- 6. Signal Characteristic 15**
 - 6.1 Pixel Format Image..... 15
 - 6.2 Scanning Direction..... 15
 - 6.3 Signal Description 16
 - 6.4 The Input Data Format..... 18
 - 6.5 Interface Timing 19
 - 6.6 Power ON/OFF Sequence 21
- 7. Reliability Test Criteria 22**
- 8. Mechanical Characteristics..... 23**
 - 8.1 LCM Outline Dimension 23
- 9. Label and Packaging 25**
 - 9.1 Shipping Label (on the rear side of TFT-LCD display) 25
 - 9.2 Carton Package 25
- 10 Safety 26**
 - 10.1 Sharp Edge Requirements..... 26
 - 10.2 Materials 26
 - 10.3 Capacitors..... 26
 - 10.4 National Test Lab Requirement..... 26

AUO Display+ Record of Revision

Version	Date (yyyy/m/d)	Page	Old description	New Description																																																																																																																																																																																																																																																																								
1.0	2017/01/19	All	First edition specification																																																																																																																																																																																																																																																																									
1.1	2017/04/05	p.13 p.14	backlight connector type backlight input signal_VDD max. & min.																																																																																																																																																																																																																																																																									
2.0	2018/07/30	p.5,6	NTSC typ.72%	NTSC typ. 78%																																																																																																																																																																																																																																																																								
3.0	2019/03/14	P.11																																																																																																																																																																																																																																																																										
4.0	2019/06/04	P16																																																																																																																																																																																																																																																																										
5.0	2020/01/03	P17																																																																																																																																																																																																																																																																										
6.0	2022/11/18	P5																																																																																																																																																																																																																																																																										
		P8																																																																																																																																																																																																																																																																										
		P18	<div style="display: flex; justify-content: space-between;"> <div style="width: 48%;"> <p>Data Mapping of JEIDA Format:</p> <table border="1"> <tr><td>RECLKP</td><td>X184</td><td>X184</td><td>X185</td><td>X186</td><td>X187</td><td>X188</td><td>X189</td><td>X190</td><td>X191</td><td>X192</td></tr> <tr><td>RECLKN</td><td>X193</td><td>X193</td><td>X194</td><td>X195</td><td>X196</td><td>X197</td><td>X198</td><td>X199</td><td>X200</td><td>X201</td></tr> <tr><td>REIN10 PIN</td><td>X202</td><td>X202</td><td>X203</td><td>X204</td><td>X205</td><td>X206</td><td>X207</td><td>X208</td><td>X209</td><td>X210</td></tr> <tr><td>REIN11 PIN</td><td>X211</td><td>X211</td><td>X212</td><td>X213</td><td>X214</td><td>X215</td><td>X216</td><td>X217</td><td>X218</td><td>X219</td></tr> <tr><td>REIN12 PIN</td><td>X220</td><td>X220</td><td>X221</td><td>X222</td><td>X223</td><td>X224</td><td>X225</td><td>X226</td><td>X227</td><td>X228</td></tr> <tr><td>REIN13 PIN</td><td>X229</td><td>X229</td><td>X230</td><td>X231</td><td>X232</td><td>X233</td><td>X234</td><td>X235</td><td>X236</td><td>X237</td></tr> <tr><td>REIN14 PIN</td><td>X238</td><td>X238</td><td>X239</td><td>X240</td><td>X241</td><td>X242</td><td>X243</td><td>X244</td><td>X245</td><td>X246</td></tr> <tr><td>REIN20 PIN</td><td>X247</td><td>X247</td><td>X248</td><td>X249</td><td>X250</td><td>X251</td><td>X252</td><td>X253</td><td>X254</td><td>X255</td></tr> <tr><td>REIN21 PIN</td><td>X256</td><td>X256</td><td>X257</td><td>X258</td><td>X259</td><td>X260</td><td>X261</td><td>X262</td><td>X263</td><td>X264</td></tr> <tr><td>REIN22 PIN</td><td>X265</td><td>X265</td><td>X266</td><td>X267</td><td>X268</td><td>X269</td><td>X270</td><td>X271</td><td>X272</td><td>X273</td></tr> <tr><td>REIN23 PIN</td><td>X274</td><td>X274</td><td>X275</td><td>X276</td><td>X277</td><td>X278</td><td>X279</td><td>X280</td><td>X281</td><td>X282</td></tr> <tr><td>REIN24 PIN</td><td>X283</td><td>X283</td><td>X284</td><td>X285</td><td>X286</td><td>X287</td><td>X288</td><td>X289</td><td>X290</td><td>X291</td></tr> </table> <p>Note2: Please follow VESA. Note3: 10-bit in.</p> </div> <div style="width: 48%;"> <p>Data Mapping of JEIDA Format:</p> <table border="1"> <tr><td>RECLKP</td><td>CP02</td><td>CP02</td><td>CP07</td><td>CP08</td><td>CP08</td><td>CP04</td><td>CP08</td><td>CP08</td><td>CP08</td><td>CP08</td></tr> <tr><td>RECLKN</td><td>CP09</td><td>CP09</td><td>CP04</td><td>CP08</td><td>CP08</td><td>CP04</td><td>CP08</td><td>CP08</td><td>CP08</td><td>CP08</td></tr> <tr><td>REIN10 PIN</td><td>CP02</td><td>CP02</td><td>CP07</td><td>CP08</td><td>CP08</td><td>CP04</td><td>CP08</td><td>CP08</td><td>CP08</td><td>CP08</td></tr> <tr><td>REIN11 PIN</td><td>CP09</td><td>CP09</td><td>CP04</td><td>CP08</td><td>CP08</td><td>CP04</td><td>CP08</td><td>CP08</td><td>CP08</td><td>CP08</td></tr> <tr><td>REIN12 PIN</td><td>CP02</td><td>CP02</td><td>CP07</td><td>CP08</td><td>CP08</td><td>CP04</td><td>CP08</td><td>CP08</td><td>CP08</td><td>CP08</td></tr> <tr><td>REIN13 PIN</td><td>CP09</td><td>CP09</td><td>CP04</td><td>CP08</td><td>CP08</td><td>CP04</td><td>CP08</td><td>CP08</td><td>CP08</td><td>CP08</td></tr> <tr><td>REIN14 PIN</td><td>CP02</td><td>CP02</td><td>CP07</td><td>CP08</td><td>CP08</td><td>CP04</td><td>CP08</td><td>CP08</td><td>CP08</td><td>CP08</td></tr> <tr><td>REIN20 PIN</td><td>CP02</td><td>CP02</td><td>CP07</td><td>CP08</td><td>CP08</td><td>CP04</td><td>CP08</td><td>CP08</td><td>CP08</td><td>CP08</td></tr> <tr><td>REIN21 PIN</td><td>CP09</td><td>CP09</td><td>CP04</td><td>CP08</td><td>CP08</td><td>CP04</td><td>CP08</td><td>CP08</td><td>CP08</td><td>CP08</td></tr> <tr><td>REIN22 PIN</td><td>CP02</td><td>CP02</td><td>CP07</td><td>CP08</td><td>CP08</td><td>CP04</td><td>CP08</td><td>CP08</td><td>CP08</td><td>CP08</td></tr> <tr><td>REIN23 PIN</td><td>CP09</td><td>CP09</td><td>CP04</td><td>CP08</td><td>CP08</td><td>CP04</td><td>CP08</td><td>CP08</td><td>CP08</td><td>CP08</td></tr> <tr><td>REIN24 PIN</td><td>CP02</td><td>CP02</td><td>CP07</td><td>CP08</td><td>CP08</td><td>CP04</td><td>CP08</td><td>CP08</td><td>CP08</td><td>CP08</td></tr> </table> <p>Note1: Normally DE mode only. VS and HS on EVEN channel are not used. Note2: Please follow JEIDA. Note3: 8-bit in.</p> </div> </div>		RECLKP	X184	X184	X185	X186	X187	X188	X189	X190	X191	X192	RECLKN	X193	X193	X194	X195	X196	X197	X198	X199	X200	X201	REIN10 PIN	X202	X202	X203	X204	X205	X206	X207	X208	X209	X210	REIN11 PIN	X211	X211	X212	X213	X214	X215	X216	X217	X218	X219	REIN12 PIN	X220	X220	X221	X222	X223	X224	X225	X226	X227	X228	REIN13 PIN	X229	X229	X230	X231	X232	X233	X234	X235	X236	X237	REIN14 PIN	X238	X238	X239	X240	X241	X242	X243	X244	X245	X246	REIN20 PIN	X247	X247	X248	X249	X250	X251	X252	X253	X254	X255	REIN21 PIN	X256	X256	X257	X258	X259	X260	X261	X262	X263	X264	REIN22 PIN	X265	X265	X266	X267	X268	X269	X270	X271	X272	X273	REIN23 PIN	X274	X274	X275	X276	X277	X278	X279	X280	X281	X282	REIN24 PIN	X283	X283	X284	X285	X286	X287	X288	X289	X290	X291	RECLKP	CP02	CP02	CP07	CP08	CP08	CP04	CP08	CP08	CP08	CP08	RECLKN	CP09	CP09	CP04	CP08	CP08	CP04	CP08	CP08	CP08	CP08	REIN10 PIN	CP02	CP02	CP07	CP08	CP08	CP04	CP08	CP08	CP08	CP08	REIN11 PIN	CP09	CP09	CP04	CP08	CP08	CP04	CP08	CP08	CP08	CP08	REIN12 PIN	CP02	CP02	CP07	CP08	CP08	CP04	CP08	CP08	CP08	CP08	REIN13 PIN	CP09	CP09	CP04	CP08	CP08	CP04	CP08	CP08	CP08	CP08	REIN14 PIN	CP02	CP02	CP07	CP08	CP08	CP04	CP08	CP08	CP08	CP08	REIN20 PIN	CP02	CP02	CP07	CP08	CP08	CP04	CP08	CP08	CP08	CP08	REIN21 PIN	CP09	CP09	CP04	CP08	CP08	CP04	CP08	CP08	CP08	CP08	REIN22 PIN	CP02	CP02	CP07	CP08	CP08	CP04	CP08	CP08	CP08	CP08	REIN23 PIN	CP09	CP09	CP04	CP08	CP08	CP04	CP08	CP08	CP08	CP08	REIN24 PIN	CP02	CP02	CP07	CP08	CP08	CP04	CP08	CP08	CP08	CP08
RECLKP	X184	X184	X185	X186	X187	X188	X189	X190	X191	X192																																																																																																																																																																																																																																																																		
RECLKN	X193	X193	X194	X195	X196	X197	X198	X199	X200	X201																																																																																																																																																																																																																																																																		
REIN10 PIN	X202	X202	X203	X204	X205	X206	X207	X208	X209	X210																																																																																																																																																																																																																																																																		
REIN11 PIN	X211	X211	X212	X213	X214	X215	X216	X217	X218	X219																																																																																																																																																																																																																																																																		
REIN12 PIN	X220	X220	X221	X222	X223	X224	X225	X226	X227	X228																																																																																																																																																																																																																																																																		
REIN13 PIN	X229	X229	X230	X231	X232	X233	X234	X235	X236	X237																																																																																																																																																																																																																																																																		
REIN14 PIN	X238	X238	X239	X240	X241	X242	X243	X244	X245	X246																																																																																																																																																																																																																																																																		
REIN20 PIN	X247	X247	X248	X249	X250	X251	X252	X253	X254	X255																																																																																																																																																																																																																																																																		
REIN21 PIN	X256	X256	X257	X258	X259	X260	X261	X262	X263	X264																																																																																																																																																																																																																																																																		
REIN22 PIN	X265	X265	X266	X267	X268	X269	X270	X271	X272	X273																																																																																																																																																																																																																																																																		
REIN23 PIN	X274	X274	X275	X276	X277	X278	X279	X280	X281	X282																																																																																																																																																																																																																																																																		
REIN24 PIN	X283	X283	X284	X285	X286	X287	X288	X289	X290	X291																																																																																																																																																																																																																																																																		
RECLKP	CP02	CP02	CP07	CP08	CP08	CP04	CP08	CP08	CP08	CP08																																																																																																																																																																																																																																																																		
RECLKN	CP09	CP09	CP04	CP08	CP08	CP04	CP08	CP08	CP08	CP08																																																																																																																																																																																																																																																																		
REIN10 PIN	CP02	CP02	CP07	CP08	CP08	CP04	CP08	CP08	CP08	CP08																																																																																																																																																																																																																																																																		
REIN11 PIN	CP09	CP09	CP04	CP08	CP08	CP04	CP08	CP08	CP08	CP08																																																																																																																																																																																																																																																																		
REIN12 PIN	CP02	CP02	CP07	CP08	CP08	CP04	CP08	CP08	CP08	CP08																																																																																																																																																																																																																																																																		
REIN13 PIN	CP09	CP09	CP04	CP08	CP08	CP04	CP08	CP08	CP08	CP08																																																																																																																																																																																																																																																																		
REIN14 PIN	CP02	CP02	CP07	CP08	CP08	CP04	CP08	CP08	CP08	CP08																																																																																																																																																																																																																																																																		
REIN20 PIN	CP02	CP02	CP07	CP08	CP08	CP04	CP08	CP08	CP08	CP08																																																																																																																																																																																																																																																																		
REIN21 PIN	CP09	CP09	CP04	CP08	CP08	CP04	CP08	CP08	CP08	CP08																																																																																																																																																																																																																																																																		
REIN22 PIN	CP02	CP02	CP07	CP08	CP08	CP04	CP08	CP08	CP08	CP08																																																																																																																																																																																																																																																																		
REIN23 PIN	CP09	CP09	CP04	CP08	CP08	CP04	CP08	CP08	CP08	CP08																																																																																																																																																																																																																																																																		
REIN24 PIN	CP02	CP02	CP07	CP08	CP08	CP04	CP08	CP08	CP08	CP08																																																																																																																																																																																																																																																																		
		P14	<table border="1"> <thead> <tr> <th>Symbol</th> <th>Parameter</th> <th>Min.</th> <th>Typ.</th> <th>Max.</th> <th>Unit</th> <th>Remark</th> </tr> </thead> <tbody> <tr> <td rowspan="3">F_{dim}</td> <td>Dimming Frequency</td> <td>0.1</td> <td>0.2</td> <td>20</td> <td>Hz</td> <td></td> </tr> <tr> <td>Swing Voltage</td> <td>3</td> <td>3.3</td> <td>5</td> <td>V_{rms}</td> <td></td> </tr> <tr> <td>Dimming Duty Cycle</td> <td>10</td> <td>-</td> <td>100</td> <td>%</td> <td></td> </tr> </tbody> </table> <table border="1"> <thead> <tr> <th>Symbol</th> <th>Parameter</th> <th>Min.</th> <th>Typ.</th> <th>Max.</th> <th>Unit</th> <th>Remark</th> </tr> </thead> <tbody> <tr> <td rowspan="4">F_{dim}</td> <td>Dimming Frequency</td> <td>0.1</td> <td>0.2</td> <td>20</td> <td>Hz</td> <td></td> </tr> <tr> <td>Swing Voltage</td> <td>3</td> <td>3.3</td> <td>5</td> <td>V_{rms}</td> <td></td> </tr> <tr> <td>Dimming Duty</td> <td>10</td> <td>-</td> <td>100</td> <td>%</td> <td>200Hz~500Hz</td> </tr> <tr> <td>Dimming Duty</td> <td>15</td> <td>-</td> <td>100</td> <td>%</td> <td>500Hz~2000Hz</td> </tr> </tbody> </table>		Symbol	Parameter	Min.	Typ.	Max.	Unit	Remark	F _{dim}	Dimming Frequency	0.1	0.2	20	Hz		Swing Voltage	3	3.3	5	V _{rms}		Dimming Duty Cycle	10	-	100	%		Symbol	Parameter	Min.	Typ.	Max.	Unit	Remark	F _{dim}	Dimming Frequency	0.1	0.2	20	Hz		Swing Voltage	3	3.3	5	V _{rms}		Dimming Duty	10	-	100	%	200Hz~500Hz	Dimming Duty	15	-	100	%	500Hz~2000Hz																																																																																																																																																																																																														
Symbol	Parameter	Min.	Typ.	Max.	Unit	Remark																																																																																																																																																																																																																																																																						
F _{dim}	Dimming Frequency	0.1	0.2	20	Hz																																																																																																																																																																																																																																																																							
	Swing Voltage	3	3.3	5	V _{rms}																																																																																																																																																																																																																																																																							
	Dimming Duty Cycle	10	-	100	%																																																																																																																																																																																																																																																																							
Symbol	Parameter	Min.	Typ.	Max.	Unit	Remark																																																																																																																																																																																																																																																																						
F _{dim}	Dimming Frequency	0.1	0.2	20	Hz																																																																																																																																																																																																																																																																							
	Swing Voltage	3	3.3	5	V _{rms}																																																																																																																																																																																																																																																																							
	Dimming Duty	10	-	100	%	200Hz~500Hz																																																																																																																																																																																																																																																																						
	Dimming Duty	15	-	100	%	500Hz~2000Hz																																																																																																																																																																																																																																																																						
		P25	<div style="display: flex; justify-content: space-between;"> <div style="width: 48%;"> <p>Manufactured XY/YY Model No: G240UAN01.0 AU Display+ MADE IN CHINA (XX) 320</p> </div> <div style="width: 48%;"> <p>AUO Display Plus ADP NO: G240UAN01.0 Manufactured MM/WW Model No: G240UAN01.0 AUO Corporation MADE IN CHINA (501)</p> </div> </div>																																																																																																																																																																																																																																																																									

AUO Display+

1. Operating Precautions

- 1) Since front polarizer is easily damaged, please be cautious and not to scratch it.
- 2) Be sure to turn off power supply when inserting or disconnecting from input connector.
- 3) Wipe off water drop immediately. Long contact with water may cause discoloration or spots.
- 4) When the panel surface is soiled, wipe it with absorbent cotton or soft cloth.
- 5) Since the panel is made of glass, it may be broken or cracked if dropped or bumped on hard surface.
- 6) To avoid ESD (Electro Static Discharge) damage, be sure to ground yourself before handling TFT-LCD Module.
- 7) Do not open nor modify the module assembly.
- 8) Do not press the reflector sheet at the back of the module to any direction.
- 9) In case if a module has to be put back into the packing container slot after it was taken out from the container, do not press the center of the LED light bar edge. Instead, press at the far ends of the LED light bar edge softly. Otherwise the TFT Module may be damaged.
- 10) At the insertion or removal of the Signal Interface Connector, be sure not to rotate nor tilt the Interface Connector of the TFT Module.
- 11) TFT-LCD Module is not allowed to be twisted & bent even force is added on module in a very short time. Please design your display product well to avoid external force applying to module by end-user directly.
- 12) Small amount of materials having no flammability grade is used in the LCD module. The LCD module should be supplied by power complied with requirements of Limited Power Source (IEC60950 or UL1950), or be applied exemption.
- 13) Severe temperature condition may result in different luminance, response time and lamp ignition voltage.
- 14) Continuous operating TFT-LCD display under low temperature environment may accelerate lamp exhaustion and reduce luminance dramatically.
- 15) The data on this specification sheet is applicable when LCD module is placed in landscape position.
- 16) Continuous displaying fixed pattern may induce image sticking. It's recommended to use screen saver or shuffle content periodically if fixed pattern is displayed on the screen.

2. General Description

G240UAN01.0 is a Color Active Matrix Liquid Crystal Display composed of a TFT-LCD panel, a driver circuit, and a backlight system. The screen format is intended to support the WUXGA (1920(H) x 1200(V)) screen and 16.7M colors. All input signals are 2-channel LVDS interface compatible.

2.1 Display Characteristics

The following items are characteristics summary on the table under 25 °C condition:

Items	Unit	Specifications
Screen Diagonal	[inch]	24.07 (611.32mm)
Active Area	[mm]	518.4 (H) x 324.0 (V)
Resolution		1920(x3) x 1200
Pixel Pitch	[mm]	0.270 (per one triad) x 0.270
Pixel Arrangement		R.G.B. Vertical Stripe
Display Mode		AHVA mode, Normally Black
Nominal Input Voltage VDD	[Volt]	+12
Power Consumption	[Watt]	45.13 (typ) (BLU 40.33W + LCD 4.8W)
Color gamut		NTSC 78%
Weight	[Grams]	2500 (Typ)
Physical Size	[mm]	546.4 (H) x 352.0 (V) x 18.1 (D) (Typ)
Electrical Interface		Dual channel LVDS
Surface Treatment		Anti-Glare treatment
Support Color		1.07B colors(8bit+HiFRC)
Temperature Range		
Operating	[°C]	0 to +50
Storage (Non-Operating)	[°C]	-20 to +60
RoHS Compliance		RoHS Compliance

AUO Display+

2.2 Optical Characteristics

The optical characteristics are measured under stable conditions at 25 °C (Room Temperature):

Item	Unit	Conditions	Min.	Typ.	Max.	Note	
White Luminance	cd/m ²	ILED=65mA(center point)	720	900	-	1	
Uniformity	%	9 points	80	85	-	2,3	
Contrast Ratio	--		700	1000	-	4	
Response Time	msec	Rising	-	-	-	5	
		Falling	-	-	-		
		Rising + Falling	-	14	25		
Viewing Angle	degree	Horizontal CR >= 10	(Right)	75	89	-	6
			(Left)	75	89	-	
		Vertical CR >= 10	(Upper)	70	89	-	
			(Lower)	70	89	-	
Color / Chromaticity Coordinates (CIE 1931)	--	Red x	0.624	0.654	0.684		
		Red y	0.305	0.335	0.365		
		Green x	0.283	0.313	0.343		
		Green y	0.613	0.643	0.673		
		Blue x	0.126	0.156	0.186		
		Blue y	0.015	0.045	0.075		
		White x	0.283	0.313	0.343		
		White y	0.299	0.329	0.359		

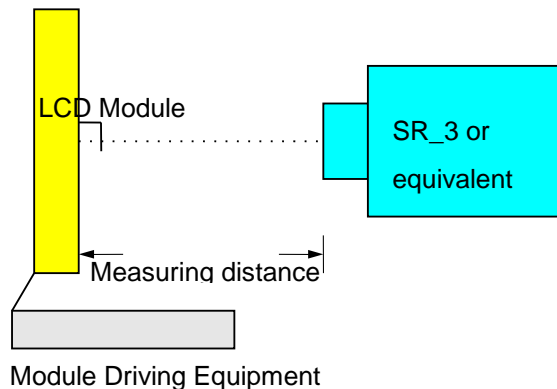
Note 1: Measurement method

Equipment Pattern Generator, Power Supply, Digital Voltmeter, Luminance meter (SR_3 or equivalent)

Aperture 1° with 50cm viewing distance

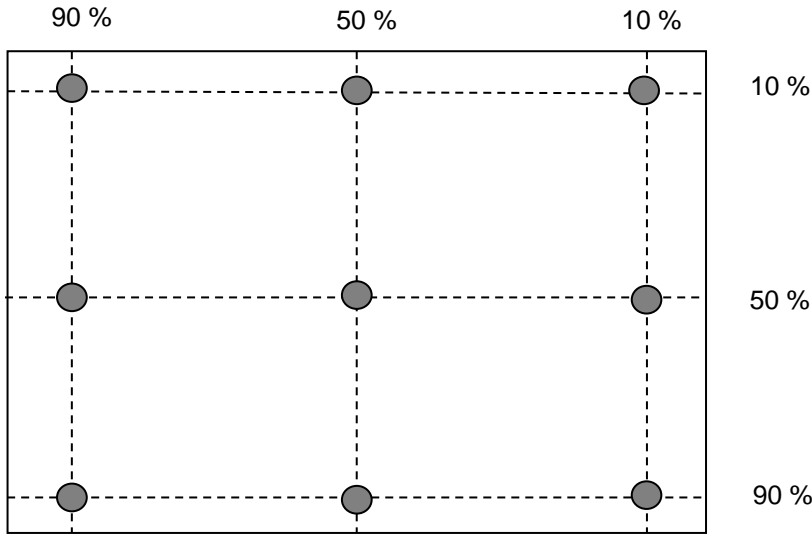
Test Point Center

Environment < 1 lux



AUO Display+

Note 2: Definition of 9 points position



Note 3: The luminance uniformity of 9 points is defined by dividing the minimum luminance values by the maximum test point luminance

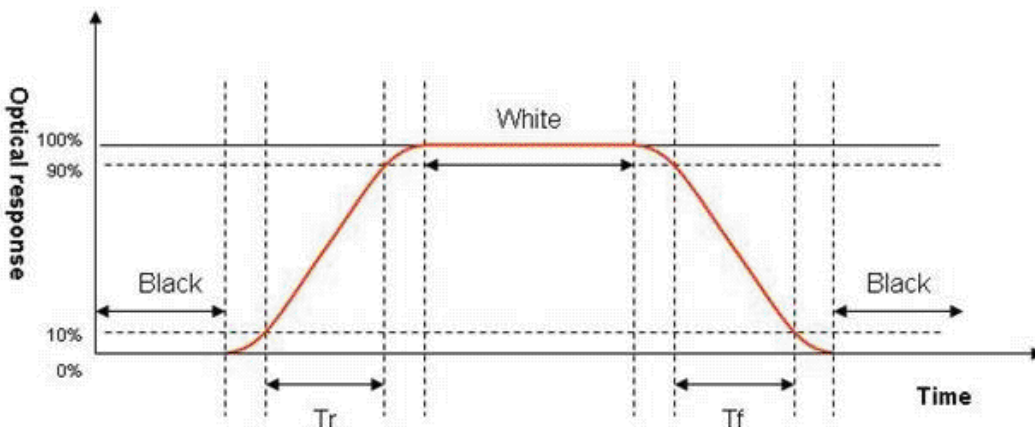
$$\delta_{w9} = \frac{\text{Minimum Brightness of nine points}}{\text{Maximum Brightness of nine points}}$$

Note 4: Definition of contrast ratio (CR):

$$\text{Contrast ratio (CR)} = \frac{\text{Brightness on the "White" state}}{\text{Brightness on the "Black" state}}$$

Note 5: Definition of response time:

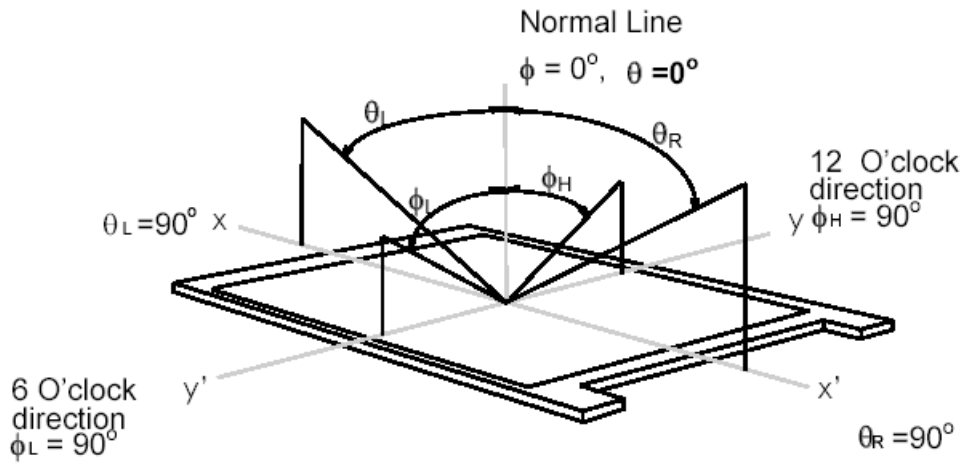
The output signals of photo detector are measured when the input signals are changed from "White" to "Black" (falling time) and from "Black" to "White" (rising time), respectively. The response time interval is between 10% and 90% of amplitudes. Please refer to the figure as below.



Note 6: Definition of viewing angle

AUO Display+

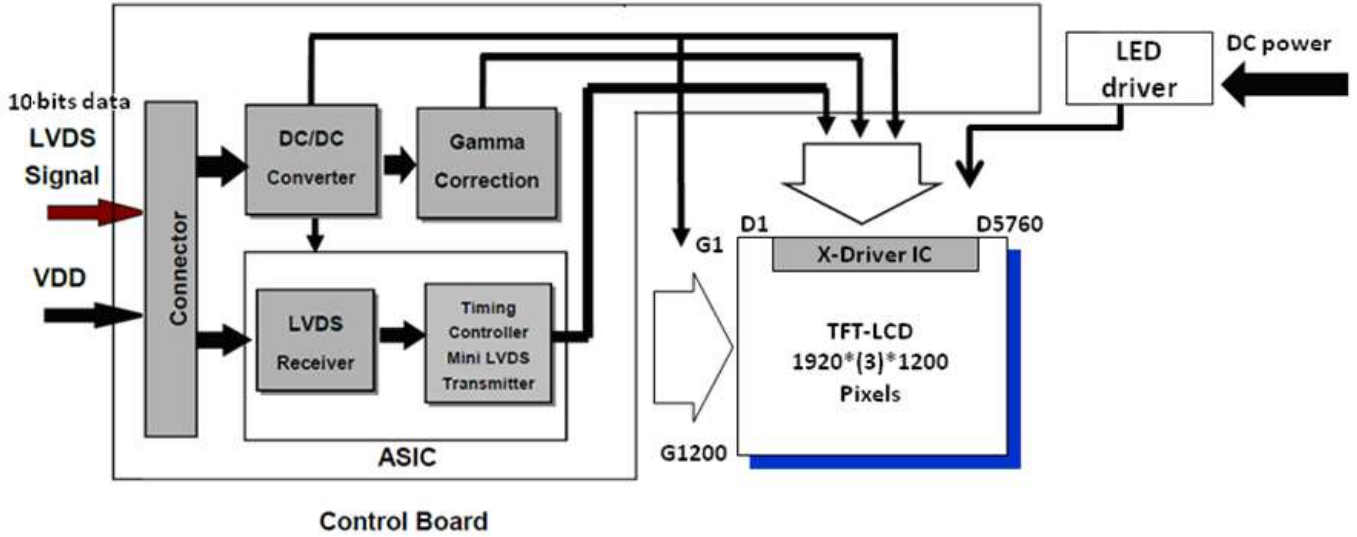
Viewing angle is the measurement of contrast ratio ≥ 10 , at the screen center, over a 180° horizontal and 180° vertical range (off-normal viewing angles). The 180° viewing angle range is broken down as below: 90° (θ) horizontal left and right, and 90° (Φ) vertical high (up) and low (down). The measurement direction is typically perpendicular to the display surface with the screen rotated to its center to develop the desired measurement viewing angle.



AUO Display+

3. Functional Block Diagram

The following diagram shows the functional block of the 24 inch color TFT/LCD module:



AUO Display+

4. Absolute Maximum Ratings

4.1 Absolute Ratings of TFT LCD Module

Item	Symbol	Min.	Max.	Unit	Conditions
Logic/LCD Drive Voltage	VDD	-0.3	+16.5	[Volt]	Note 1, 2

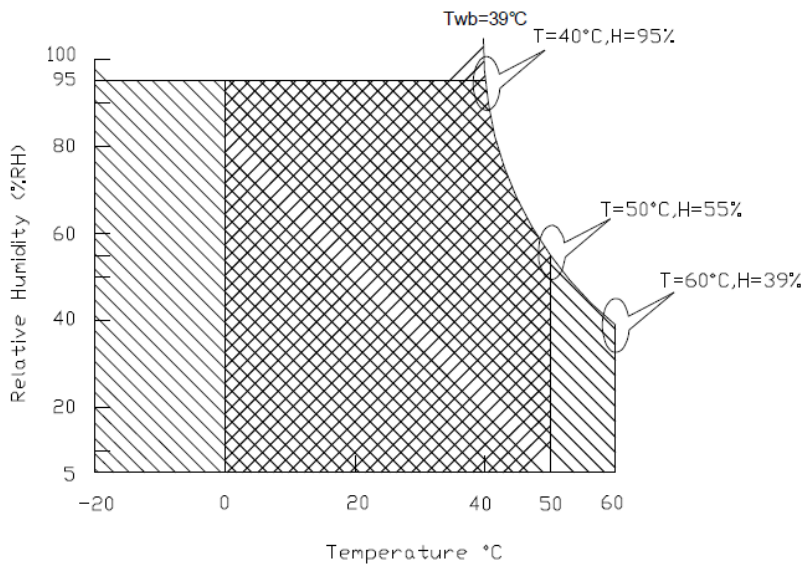
4.2 Absolute Ratings of Environment

Item	Symbol	Min.	Max.	Unit	Conditions
Operating	TOP	0	+50	[°C]	Note
Operation Humidity	HOP	5	90	[%RH]	
Storage	TST	-20	+60	[°C]	
Storage Humidity	HST	5	90	[%RH]	

Note 1: With in Ta= 25°C

Note 2: Permanent damage to the device may occur if exceed maximum values

Note 3: For quality performance, please refer to AUO IIS (Incoming Inspection Standard).



Operating Range Storage Range +

AUO Display+

5. Electrical Characteristics

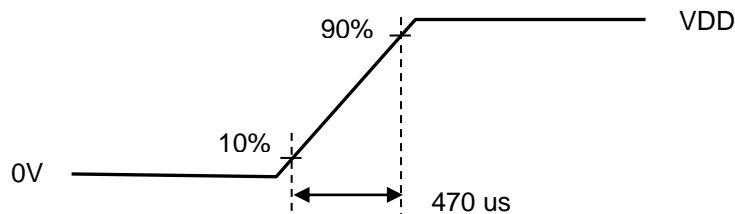
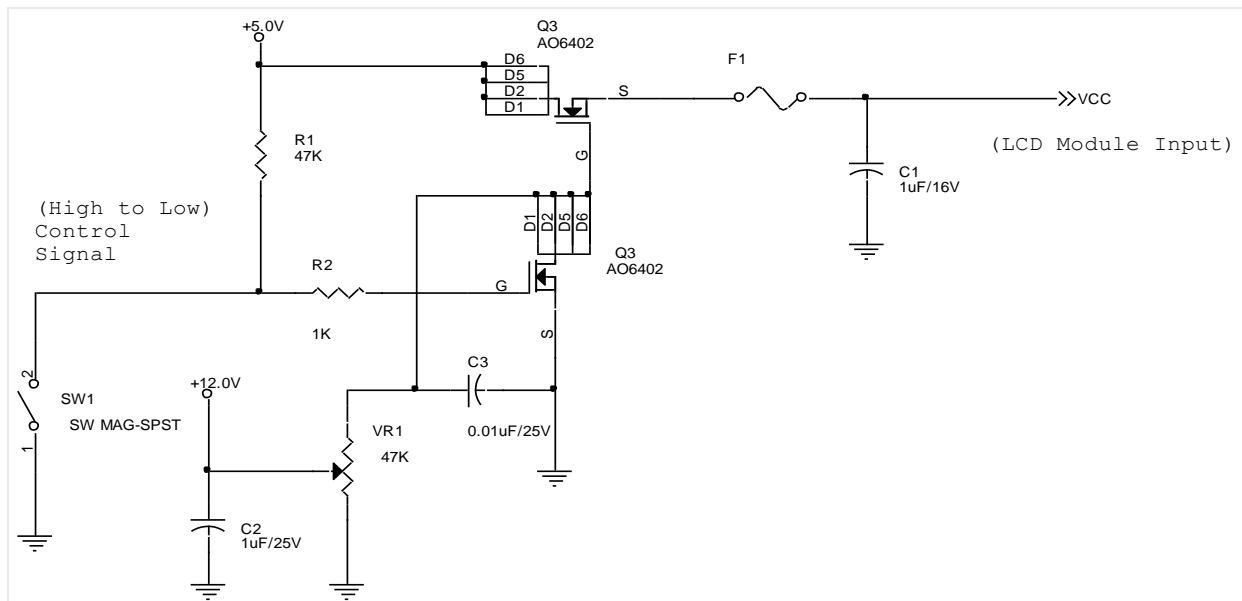
5.1 TFT LCD Module

5.1.1 Power Specification

Input power specifications are shown as follows;

Symbol	Parameter	Min	Typ	Max	Units	Remark
VDD	Logic/LCD Drive Voltage	10.8	12.0	13.2	[Volt]	± 10%
IDD	VDD Current	-	0.4	0.6	[A]	Vin=12V, White Pattern, at 60Hz
Irush	LCD Inrush Current	-	2.7	3.4	[A]	Note 1
PDD	VDD Power	-	4.8	7.2	[Watt]	Vin=12V, White Pattern, at 60Hz
VDDrp	Allowable Logic/LCD Drive Ripple Voltage	-	-	300	[mV] p-p	With panel loading

Note 1: Measurement condition:


VDD rising time

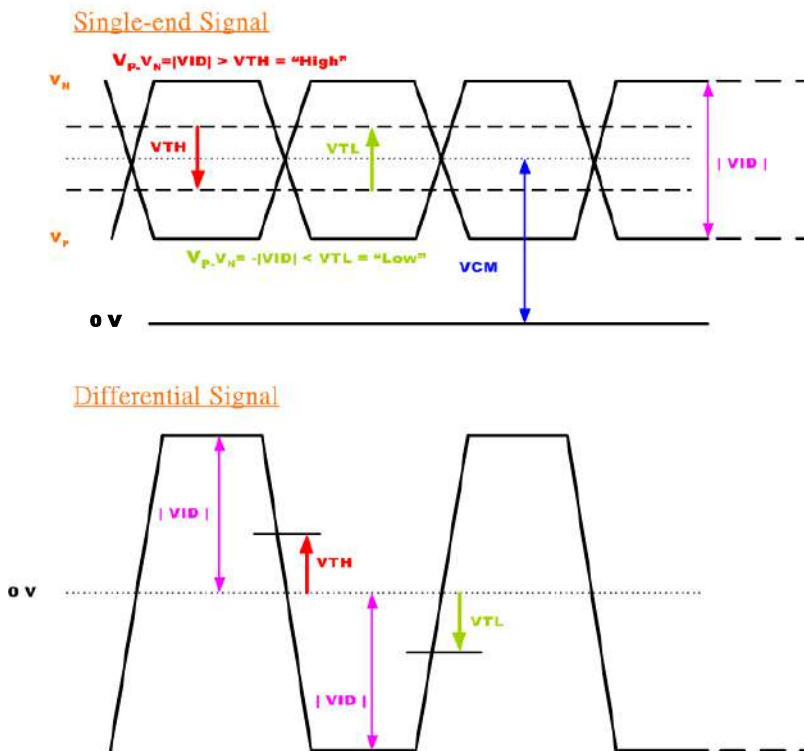
AUO Display+

5.1.2 LVDS DC Signal Electrical Characteristics

Input signals shall be low or Hi-Z state when VDD is off.

Symbol	Item	Min.	Typ.	Max.	Unit	Remark
V _{TH}	Differential Input High Threshold	-	-	+100	[mV]	V _{CM} =1.2V
V _{TL}	Differential Input Low Threshold	-100	-	-	[mV]	V _{CM} =1.2V
VID	Input Differential Voltage	100	-	600	[mV]	
V _{ICM}	Differential Input Common Mode Voltage	+1.0	+1.2	+1.5	[V]	V _{TH} /V _{TL} =+-200mV

Note: LVDS Signal Waveform.



AUO Display+

5.2 Backlight Unit

5.2.1 LED Backlight Unit : Driver Connector

Backlight	manufacturer	JST
	part number	S14B-PH-SM6-K-TB(HF)
Mating	manufacturer	JST
	part number	PHR-14

Pin #	Symbol	Pin Description
1	VDD	Power +24V
2	VDD	Power +24V
3	VDD	Power +24V
4	VDD	Power +24V
5	VDD	Power +24V
6	GND	GND
7	GND	GND
8	GND	GND
9	GND	GND
10	GND	GND
11	NC	Do not connect
12	EN	Enable(0V:disable, 2.5~5V:Enable)
13	Dimming	PWM; duty 10%~ 100%
14	NC	Do not connect

5.2.2 Parameter guideline for LED

Following characteristics are measured under a stable condition using an inverter at 25°C (Room Temperature):

LED characteristics

Symbol	Parameter	Min	Typ	Max	Units	Condition
PLED	LED Power Consumption	-	16.93	18.56	Watt	IF =65 mA, Ta = 25°C LBx2 : 16.93x2=33.86(typ)
LTLED	LED Lifetime	50,000			Hrs	IF=65 mA, Ta= 25°C

Note 1: Calculator value for reference PLED = VF (Normal Distribution) * IF (Normal Distribution) / Efficiency

Note 2: The LED life-time define as the estimated time to 50% degradation of initial luminous.

Backlight input signal characteristics

Symbol	Parameter	Min.	Typ.	Max.	Unit	Remark
VDD	Input Voltage	22.8	24.0	25.2	[Volt]	±5%
I _{VDD}	Input Current		1.66	1.82	[A]	100% PWM Duty
P _{VDD}	Power Consumption		39.83	43.68	[Watt]	100% PWM Duty
I _{rush LED}	Inrush Current	-	-	6	[A]	at rising time=470us
F _{PWM}	Dimming Frequency	0.1	0.2	20	[kHz]	
	Swing Voltage	3	3.3	5	V	
	Dimming Duty	5	-	100	%	200Hz~5KHz
	Dimming Duty	15	-	100	%	5KHz~20KHz
I _F	LED Forward Current		65		mA	Ta = 25°C
V _F	LED Forward Voltage	-	-	-	Volt	
		-	37.2	40.8	Volt	I _F =65 mA, Ta = 25°C
		-	-	-		

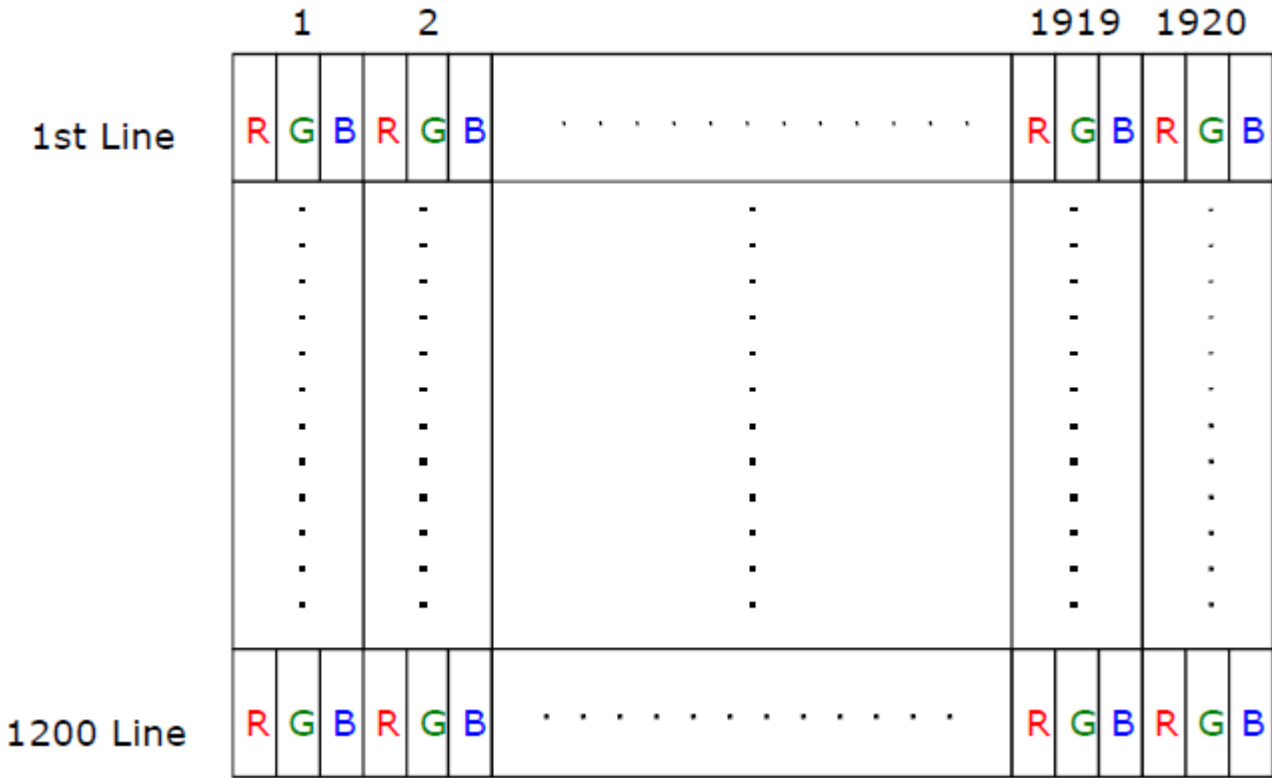
Note1: Measured on panel VLED

AUO Display+

6. Signal Characteristic

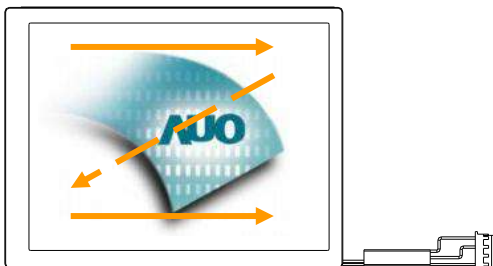
6.1 Pixel Format Image

Following figure shows the relationship between input signal and LCD pixel format.



6.2 Scanning Direction

The following figures show the image seen from the front view. The arrow indicates the direction of scan.



AUO Display+

6.3 Signal Description

LVDS is a differential signal technology for LCD interface and high speed data transfer device. The first LVDS port(RxOxxx) transmits odd pixels while the second LVDS port(RxExxx) transmits even pixels.

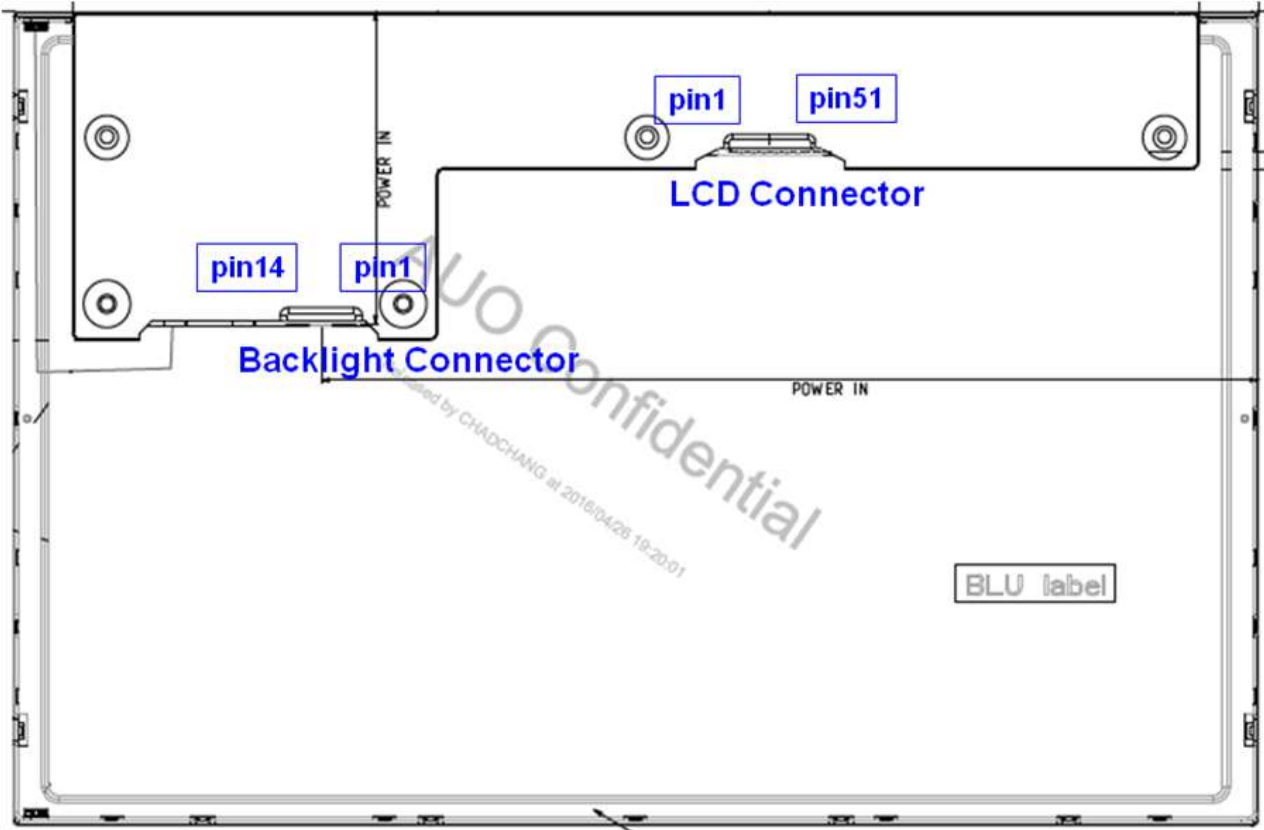
6.3.1 TFT LCD Module: LVDS Connector

LCD	manufacturer	JAE
	part number	FI-RE51S-HF-R1500
Mating	manufacturer	JAE
	part number	FI-RE51HL

PIN #	Symbol	PIN #	Symbol
1	GND	27	GND
2	NC	28	RE0N
3	NC	29	RE0P
4	NC	30	RE1N
5	NC	31	RE1P
6	NC	32	RE2N
7	GND	33	RE2P
8	GND	34	GND
9	NC	35	RECLKN
10	GND	36	RECLKP
11	GND	37	GND
12	RO0N	38	RE3N
13	RO0P	39	RE3P
14	RO1N	40	RE4N
15	RO1P	41	RE4P
16	RO2N	42	GND
17	RO2P	43	GND
18	GND	44	GND
19	ROCLKN	45	GND
20	ROCLKP	46	NC
21	GND	47	NC
22	RO3N	48	VDD
23	RO3P	49	VDD
24	RO4N	50	VDD

AUO Display+

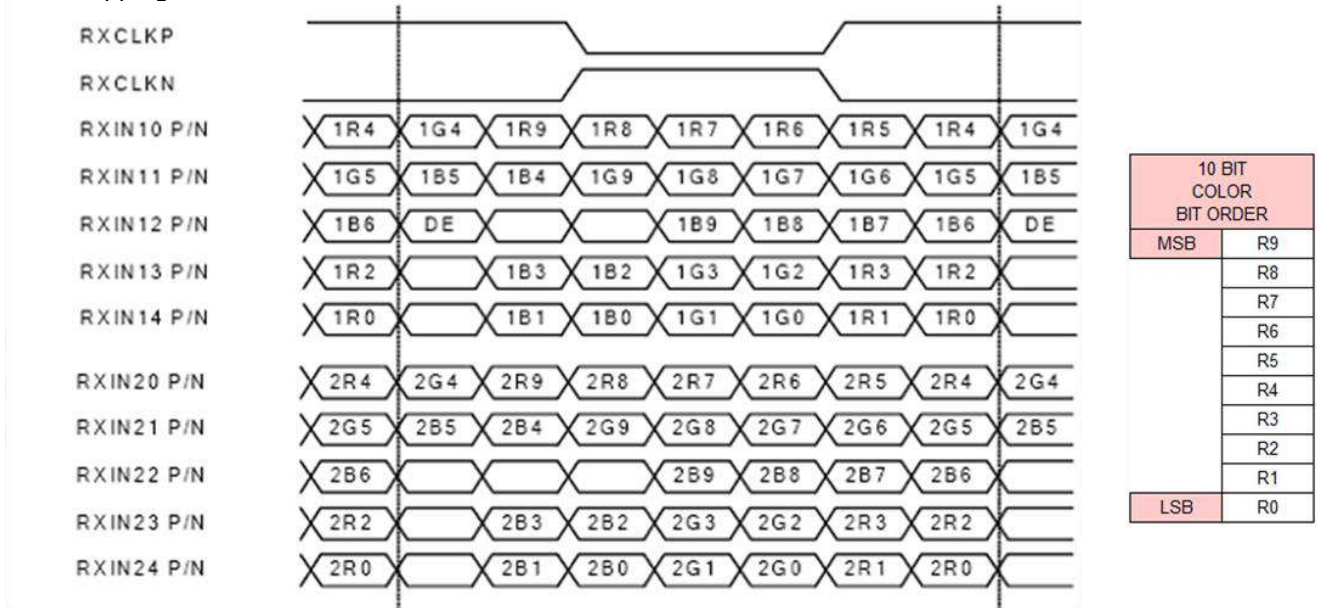
25	RO4P	51	VDD
26	GND		



AUO Display+

6.4 The Input Data Format

Data Mapping of JEIDA Format



AUO Display+

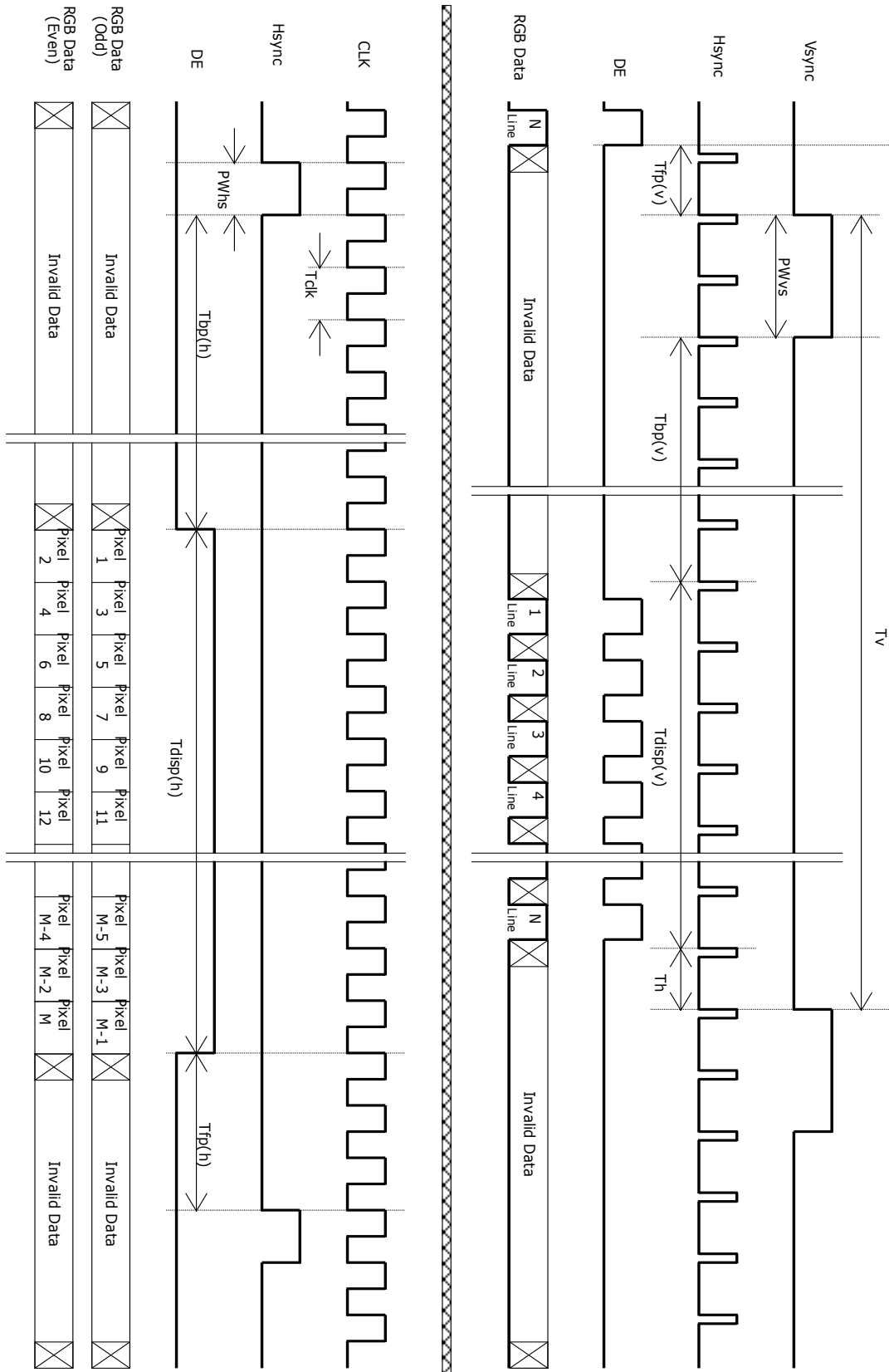
6.5 Interface Timing

6.5.1 Timing Characteristics

Signal	Symbol	Min.	Typ.	Max.	Unit	
Clock Frequency	$1/T_{\text{Clock}}$	59.5	77	85	MHz	
Vertical Section	Period	T_V	1214	1235	1734	T_{Line}
	Active	T_{VD}	1200	1200	1200	
	Blanking	T_{VB}	14	35	534	
Horizontal Section	Period	T_H	1000	1040	1428	T_{Clock}
	Active	T_{HD}	960	960	960	
	Blanking	T_{HB}	40	80	468	
Frame Rate	F	49	60	66	Hz	

Note : DE mode only

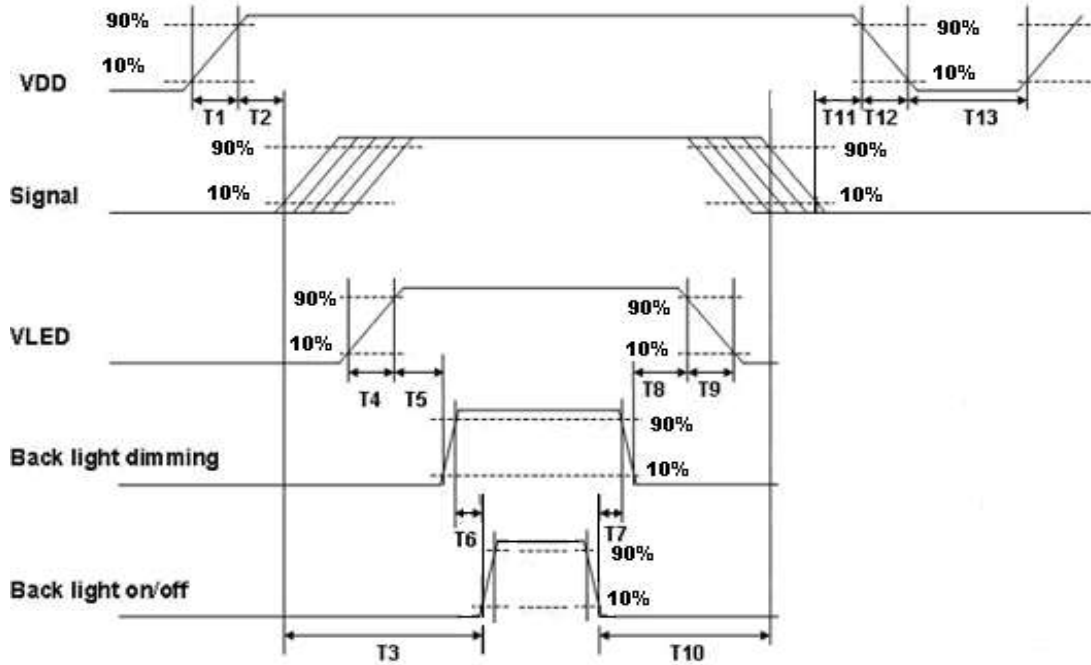
6.5.2 Input Timing Diagram



AUO Display+

6.6 Power ON/OFF Sequence

VDD power and lamp on/off sequence is as below. Interface signals are also shown in the chart. Signals from any system shall be Hi-Z state or low level when VDD is off.



Power ON/OFF sequence timing

Parameter	Value			Units
	Min.	Typ.	Max.	
T1	0.5	-	10	[ms]
T2	30	40	50	[ms]
T3	200	-	--	[ms]
T4	0.5	-	10	[ms]
T5	10	-	-	[ms]
T6	10	-	-	[ms]
T7	0	-	-	[ms]
T8	10	-	-	[ms]
T9	-	-	10	[ms]
T10	110	-	-	[ms]
T11	0	16	50	[ms]
T12	0	-	10	[ms]
T13	1000	-	-	[ms]

The above on/off sequence should be applied to avoid abnormal function in the display. Please make sure to turn off the power when you plug the cable into the input connector or pull the cable out of the connector.

7. Reliability Test Criteria

Items	Required Condition	Note
Temperature Humidity Bias (THB)	Ta= 50°C, 80%RH, 300hours	
High Temperature Operation (HTO)	Ta= 50°C, 300hours	
Low Temperature Operation (LTO)	Ta= 0°C, 300hours	
High Temperature Storage (HTS)	Ta= 60°C, 300hours	
Low Temperature Storage (LTS)	Ta= -20°C, 300hours	
Vibration Test (Non-operation)	Acceleration: 1.5 G Wave: Random Frequency: 10 - 200 Hz Sweep: 30 Minutes each Axis (X, Y, Z)	
Shock Test (Non-operation)	Acceleration: 50 G Wave: Half-sine Active Time: 20 ms Direction: ±X, ±Y, ±Z (one time for each Axis)	
Drop Test	Height: 60 cm, package test	
Thermal Shock Test (TST)	-20 °C /30min, 60/°C 30min, 100 cycles	1
On/Off Test	On/10sec, Off/10sec, 30,000 cycles	
ESD (Electrostatic Discharge)	Contact Discharge: ± 8KV, 150pF(330Ω) 1sec, 9 points, 25 times/ point.	2
	Air Discharge: ± 15KV, 150pF(330Ω) 1sec 9 points, 25 times/ point.	
Altitude Test	Operation:10,000 ft Non-Operation:30,000 ft	

Note 1: The TFT-LCD module will not sustain damage after being subjected to 100 cycles of rapid temperature change. A cycle of rapid temperature change consists of varying the temperature from -20°C to 50°C, and back again. Power is not applied during the test. After temperature cycling, the unit is placed in normal room ambient for at least 4 hours before power on.

Note 2: According to EN61000-4-2 , ESD class B: Some performance degradation allowed. No data lost. Self-recoverable. No hardware failures.

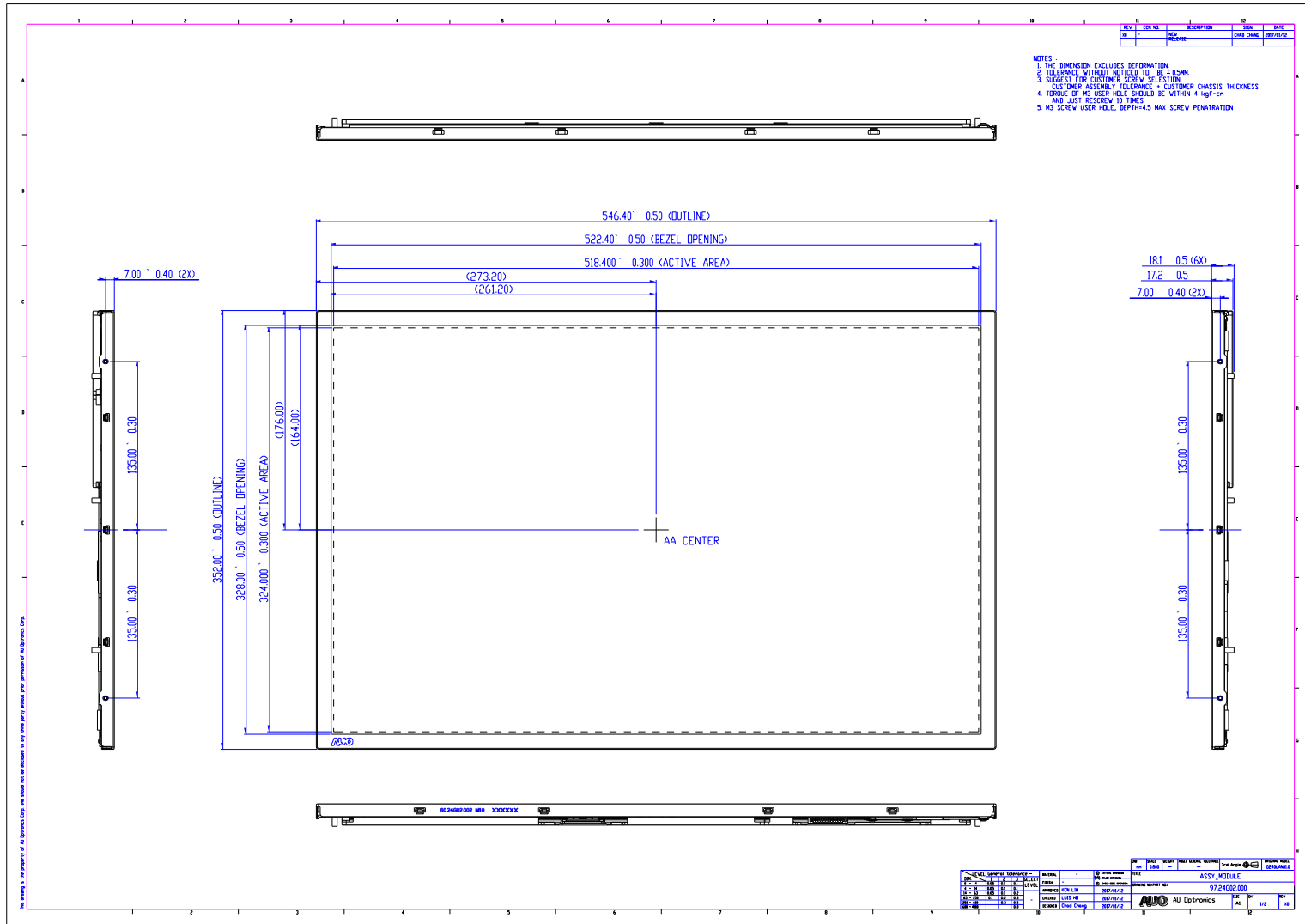
Note 3:

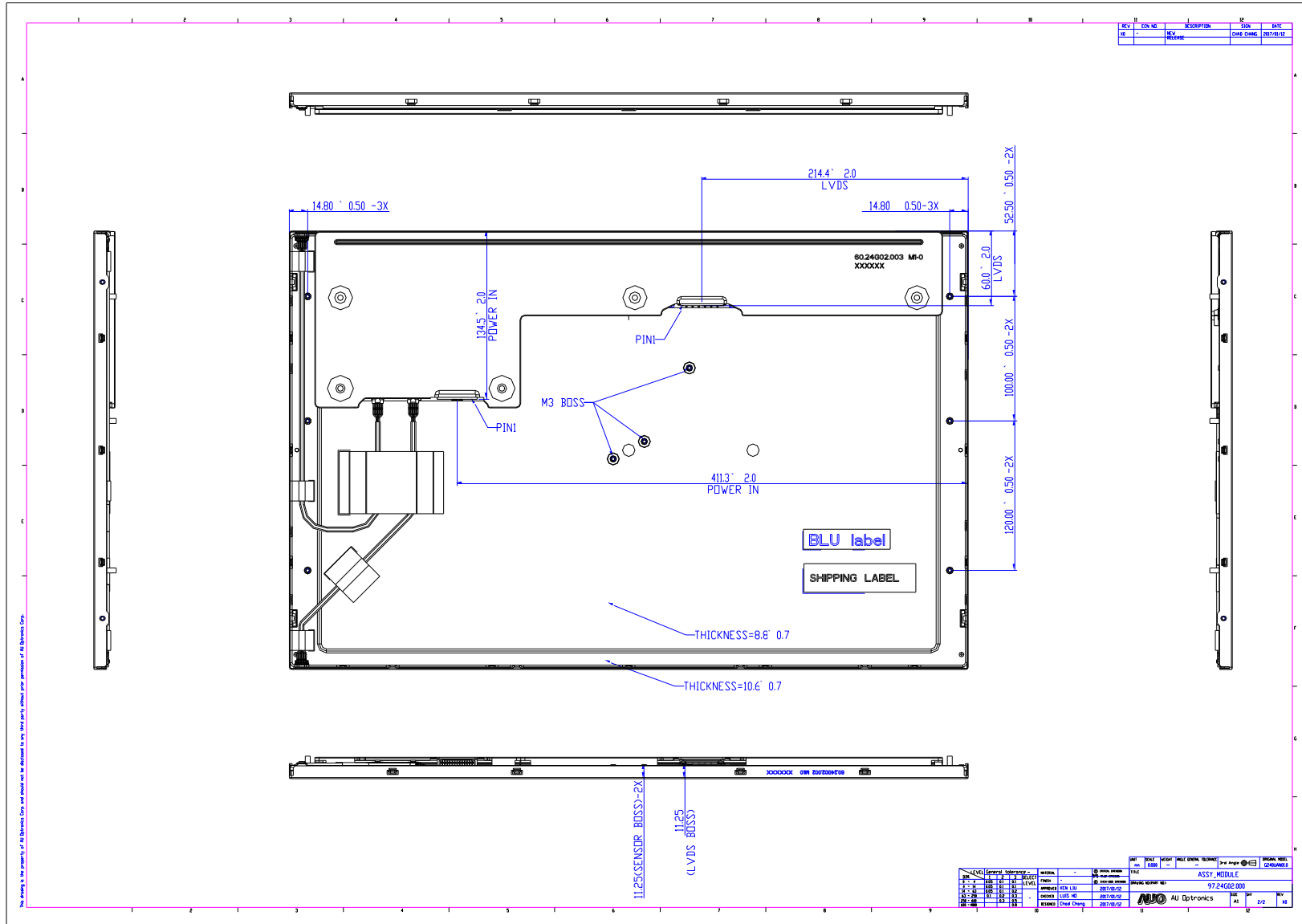
- Water condensation is not allowed for each test items.
- Each test is done by new TFT-LCD module. Don't use the same TFT-LCD module repeatedly for reliability test.
- The reliability test is performed only to examine the TFT-LCD module capability.
- To inspect TFT-LCD module after reliability test, please store it at room temperature and room humidity for 24 hours at least in advance.
- No function failure occurs.

AUO Display+

8. Mechanical Characteristics

8.1 LCM Outline Dimension





AUO Display+

9. Label and Packaging

9.1 Shipping Label (on the rear side of TFT-LCD display)



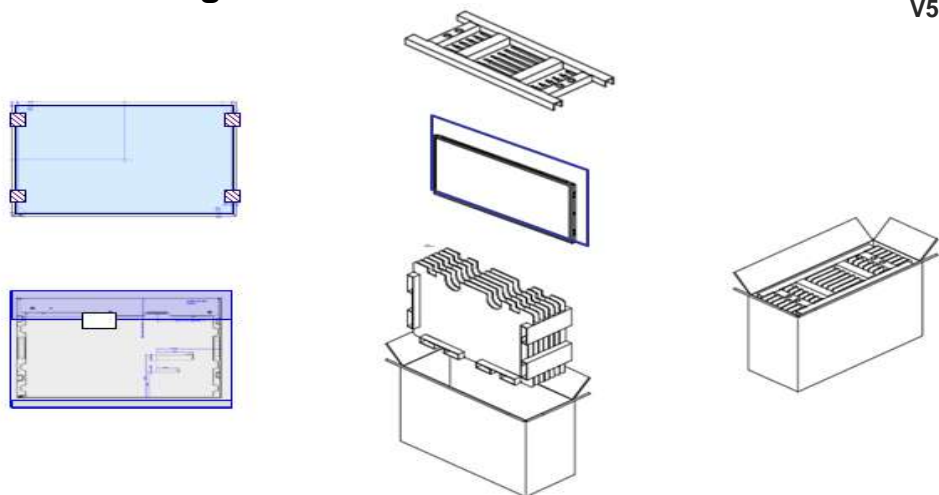
Note 1: For Pb Free products, AUO will add for identification.

Note 2: For RoHS compatible products, AUO will add for identification.

Note 3: For China RoHS compatible products, AUO will add for identification.

Note 4: The Green Mark will be presented only when the green documents have been ready by AUO Internal Green Team.

9.2 Carton Package



Max capacity : 6 PCS TFT-LCD module per carton

Max weight: 17.3 kg per carton

Outside dimension of carton: 630mm(L)* 245mm(W)*450mm(H)

Pallet size : 1060 mm * 760 mm * 132mm

Box stacked

Module by air_Max : (1 *4) *3 layers , one pallet put 12 boxes , total 72pcs module

Module by sea_Max : (1*4) *3 layers + (1 *4) *1 layers , two pallet put 16 boxes , total 96pcs module

Module by sea_HQ_Max : (1*4) *3 layers+(1*4) *1 layers, two pallet put 16 boxes, total 96pcs module

AUO Display+

10 Safety

10.1 Sharp Edge Requirements

There will be no sharp edges or comers on the display assembly that could cause injury.

10.2 Materials

10.2.1 Toxicity

There will be no carcinogenic materials used anywhere in the display module. If toxic materials are used, they will be reviewed and approved by the responsible AUO toxicologist.

10.2.2 Flammability

All components including electrical components that do not meet the flammability grade UL94-V1 in the module will complete the flammability rating exception approval process.

The printed circuit board will be made from material rated 94-V1 or better. The actual UL flammability rating will be printed on the printed circuit board.

10.3 Capacitors

If any polarized capacitors are used in the display assembly, provisions will be made to keep them from being inserted backwards.

10.4 National Test Lab Requirement

The display module will satisfy all requirements for compliance to:

UL 60950-1 second edition

U.S.A. Information Technology Equipment